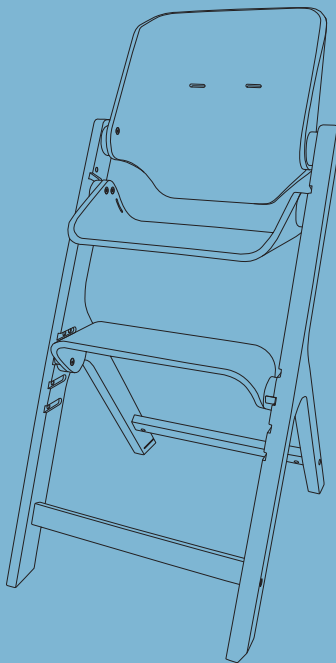




Nesta



MAXI-COSI®

We carry the future



EN – IMPORTANT! READ CAREFULLY
AND KEEP FOR FUTURE REFERENCE.

FR – IMPORTANT ! LIRE
ATTENTIVEMENT LA NOTICE ET LA
CONSERVER POUR CONSULTATION
ULTÉRIEURE.

DE – WICHTIG – BITTE SORGFALTIG
LESEN UND FÜR SPÄTERES
NACHLESEN UNBEDINGT
AUFBEWAHREN.

NL – BELANGRIJK – LEES ZORGVULDIG
EN BEWAAR ALS REFERENTIE VOOR
EEN LATER GEBRUIK.



ES - IMPORTANTE - LEER
DETENIDAMENTE Y CONSERVAR
PARA FUTURA REFERENCIA.

IT - IMPORTANTE - LEGGERE CON
ATTENZIONE E CONSERVARE PER
CONSULTAZIONE FUTURA.

PT - IMPORTANTE - LER COM
ATENÇÃO E GUARDAR PARA
CONSULTAS FUTURAS.

SV - VIKTIGT - LÄS NOGGRANT OCH
SPARA FÖR FRAMTIDA BRUK.

DA - VIGTIGT - LÆSES OMHYGGELIGT
OG GEMMES TIL



FREMTIDIG BRUG.

FI - TÄRKEÄÄ - LUE HUOLELLISESTI
JA SÄILYÄ TULEVAA KÄYTTÖÄ
VARTEN.

NO - VIKTIG - LES NØYE OG TA VARE
PÅ FOR SENERE REFERANSE.

EL - ΣΗΜΑΝΤΙΚΟ - ΔΙΑΒΑΣΤΕ
ΠΡΟΣΕΚΤΙΚΑ ΚΑΙ ΦΥΛΑΞΤΕ ΤΟ
ΓΙΑ ΜΕΛΛΟΝΤΙΚΗ ΑΝΑΦΟΡΑ.

TR - ÖNEMLİ - DİKKATLE OKUYUN VE
GELECEKTE REFERANS OLMASI İÇİN
SAKLAYIN.

PL - WAŻNE - NALEŻY UWAŻNIE



ZAPOZNAĆ SIĘ Z INSTRUKCJĄ
OBSŁUGI I ZACHOWAĆ JĄ NA
PRZYSZŁOŚĆ.

RU - ВАЖНО - ВНИМАТЕЛЬНО
ПРОЧИТАЙТЕ И СОХРАНИТЕ
ЭТО РУКОВОДСТВО ДЛЯ
ПОСЛЕДУЮЩЕГО ИСПОЛЬЗОВАНИЯ.

UK - ВАЖЛИВА ІНФОРМАЦІЯ
УВАЖНО ПРОЧИТАЙТЕ І
ЗБЕРЕЖІТЬ ЦІ ІНСТРУКЦІЇ ДЛЯ
ЗВЕРНЕННЯ У МАЙБУТНЬОМУ.

HR - VAŽNO - PAŽLJIVO PROČITAJTE



I SAČUVAJTE ZA SLUČAJ POTREBE.

SK - DÔLEŽITÉ - POZORNE SI
PREČÍTAJTE A USCHOVAJTE PRE
BUDÚCU POTREBU.

BG - ВАЖНО - ПРОЧЕТЕТЕ
ВНИМАТЕЛНО И ЗАПАЗЕТЕ ЗА
БЪДЕЩИ СПРАВКИ.

HU - FONTOS - ŐRIZZE MEG AZ
ALÁBBI ÚTMUTATÓT JÖVŐBELI
HIVATKOZÁS CÉLJÁBÓL.

SL - POMEMBNO - POZORNO PREBERITE
IN SHRANITE ZA POZNEJŠO UPORABO.

ET - OLULINE - LUGEĞE HOOLIKALT



JA HOIDKE ALLES.

CS - DŮLEŽITÉ - POZORNĚ PŘEČTĚTE
A UŠCHOVEJTE PRO BUDOUCÍ
POTŘEBU.

RO - IMPORTANT - CITIȚI CU
ATENȚIE ȘI PĂSTRAȚI PENTRU
CONSULTĂRI ULTERIOARE.

HE

חשוב

קראו בעיון רב ושמרו לעיון בעתיד.

AR

هام

اقرأ بتمعن واحفظه لمراجعتة مستقبلا.



EN
INSTRUCTIONS FOR USE / WARRANTY

FR
MODE D'EMPLOI / GARANTIE

DE
GEBRAUCHSANWEISUNG / GARANTIE

NL
GEBRUIKSAANWIJZING / GARANTIE

ES
INSTRUCCIONES DE USO / GARANTÍA

IT
ISTRUZIONI D'USO / GARANZIA

PT
INSTRUÇÕES DE UTILIZAÇÃO / GARANTIA

SV
ANVÄNDARINSTRUKTIONER / GARANTI

DA
BRUGSANVISNING / GARANTI

FI
KÄYTTÖOHJEET / TAKUU

NO
BRUKSANVISNING / GARANTI

EL
ΟΔΗΓΙΕΣ ΧΡΗΣΕΩΣ / ΕΓΓΥΗΣΗ

TR
KULLANIM TALIMATLARI / GARANTİ

PL
INSTRUKCJA OBSŁUGI / GWARANCJA

RU
ИНСТРУКЦИЯ ПО ПРИМЕНЕНИЮ / ГАРАНТИЯ

UK
ІНСТРУКЦІЯ ПО ЗАСТОСУВАННЮ / ГАРАНТІЯ

HR
UPUTSTVO ZA UPORABU / JAMSTVO

SK
INŠTRUKCIE NA POUŽITIE / ZÁRUKA

BG
ИНСТРУКЦИИ ЗА УПОТРЕБА / ГАРАНЦИЯ

HU
HASZNÁLATI UTASÍTÁSOK / GARANCIA

SL
NAVODILA ZA UPORABO / GARANCIJA

ET
KASUTUSJUHEND / GARANTII

CS
INSTRUKCE K POUŽITÍ / ZÁRUKA

RO
INSTRUCȚIUNI DE UTILIZARE / GARANȚIE

HE
הוראות שימוש / אחריות

AR
تعليمات الإستعمال / ضمان



Index



10



40



12



45



18



50



27

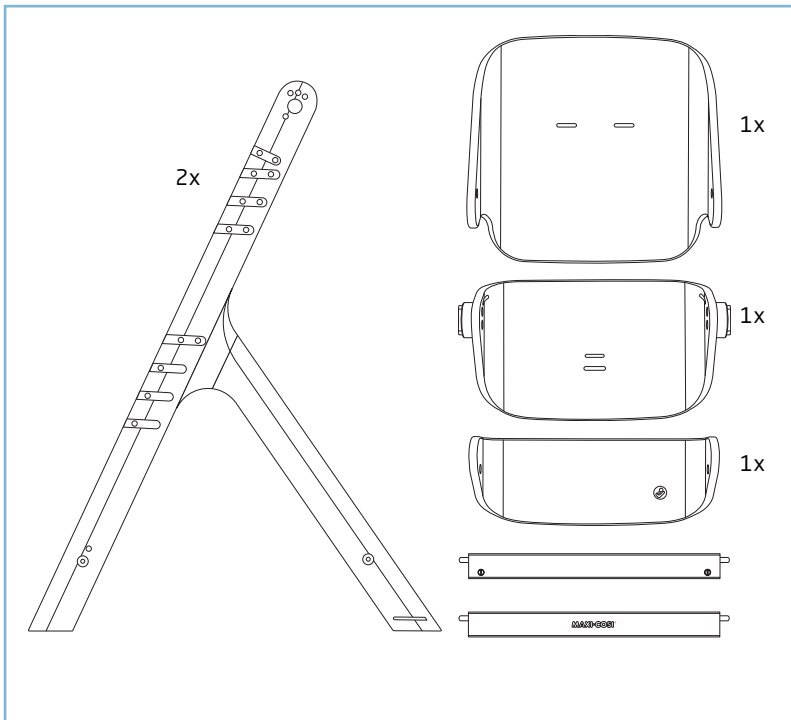


38



EN 52
 FR XX
 DE XX
 NL XX
 ES XX
 IT XX
 PT XX
 SV XX
 DA XX
 FI XX
 NO XX
 EL XX
 TR XX
 PL XX
 RU XX
 UK XX
 HR XX
 SK XX
 BG XX
 HU XX
 SL XX
 ET XX
 CS XX
 RO XX
 HE XX
 AR XX



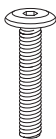




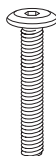
4x



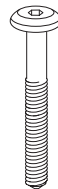
4x
M6 x 10mm



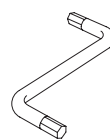
2x
M6 x 40mm



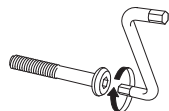
6x
M6 x 45mm



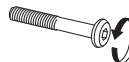
4x
M6 x 50mm



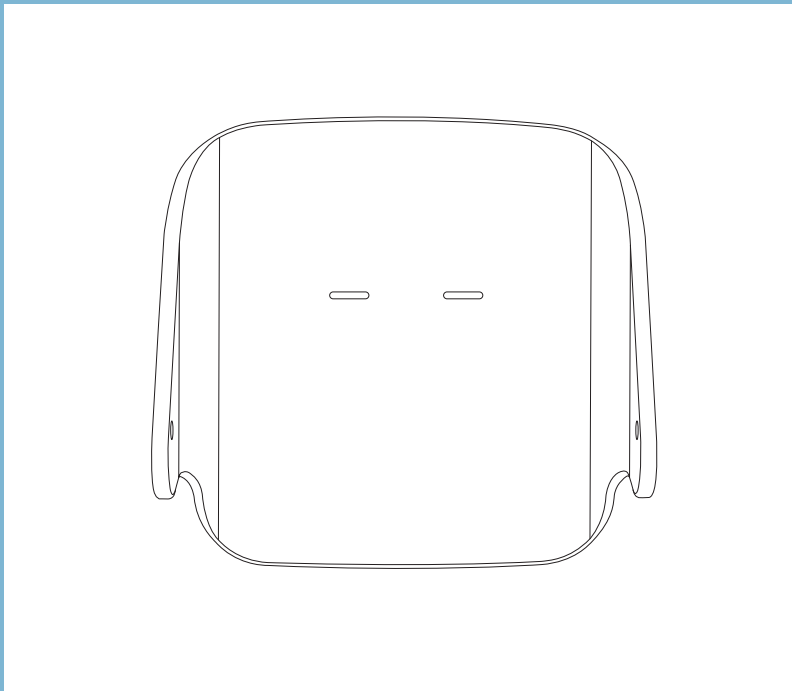
1x



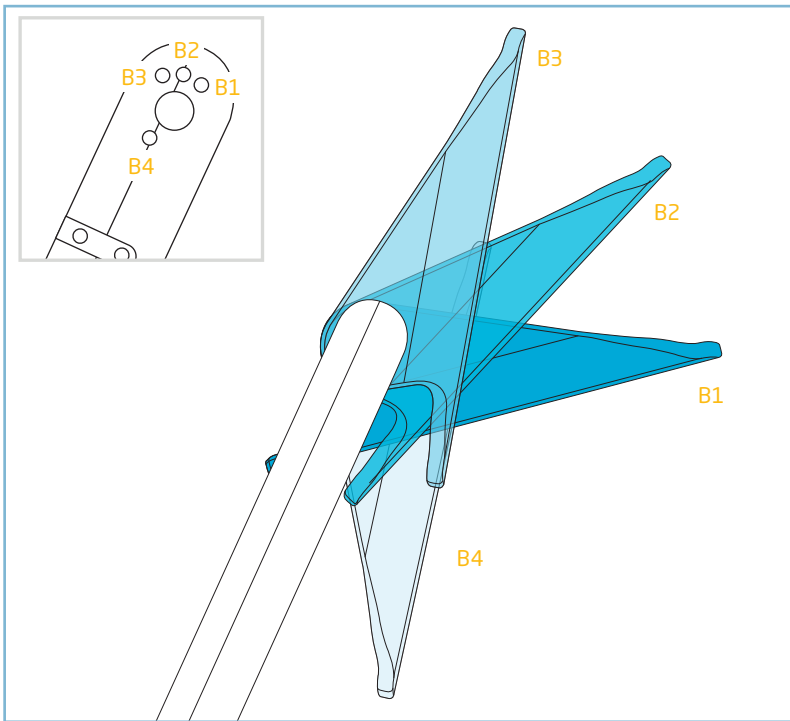
EN Snug	PL Obcisły
FR Bien serré	RU Тугой
DE Fest	UK Тісний
NL Nauw	HR Čvrsto
ES Apretado	SK Tesné
IT Stretto	BG Стегнат
PT Apertado	HU Szoros
SV Tajt	SL Tesno
DA Tæt	ET Tihe
FI Tiukka	CS Těsný
NO Stramt	RO Strâmt
EL Σφιχτός	HE הקודק
TR Sıkı	AR دودشام

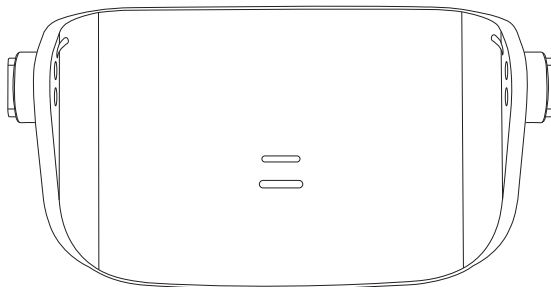


EN Loose	PL Luźny
FR Lâche	RU Свободный
DE Lose	UK Вільний
NL Loszittend	HR Opušteno
ES Suelto	SK Volný
IT Sciolto	BG Разхлабена
PT Solto	HU Laza
SV Lös	SL Ohlapna
DA Løs	ET Lahtine
FI Löysä	CS Volný
NO Løs	RO Lejer
EL Χαλαρά	HE הרוחץ
TR Gevşetmek	AR يخترم

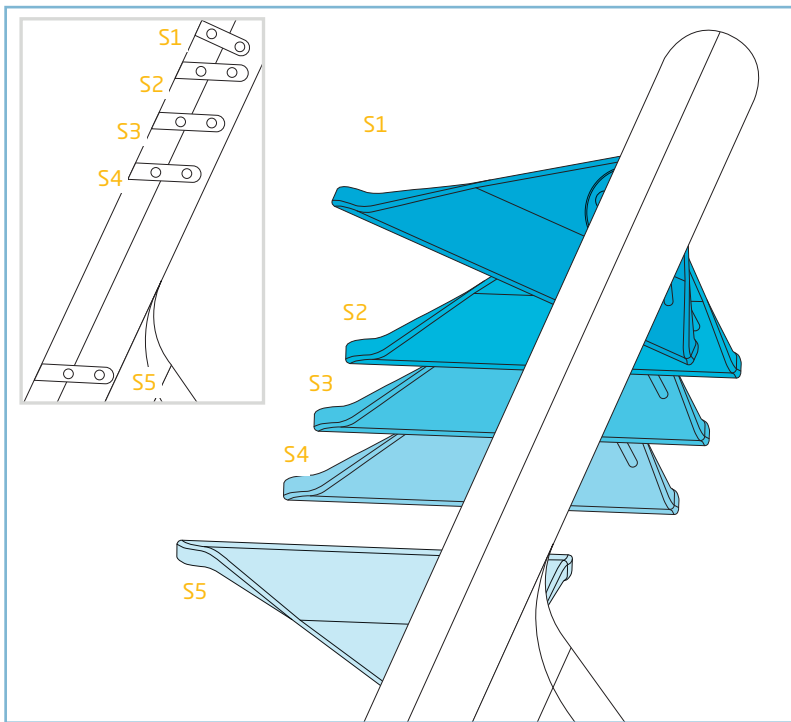


maxi-cosi.com

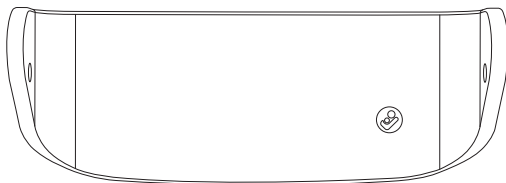




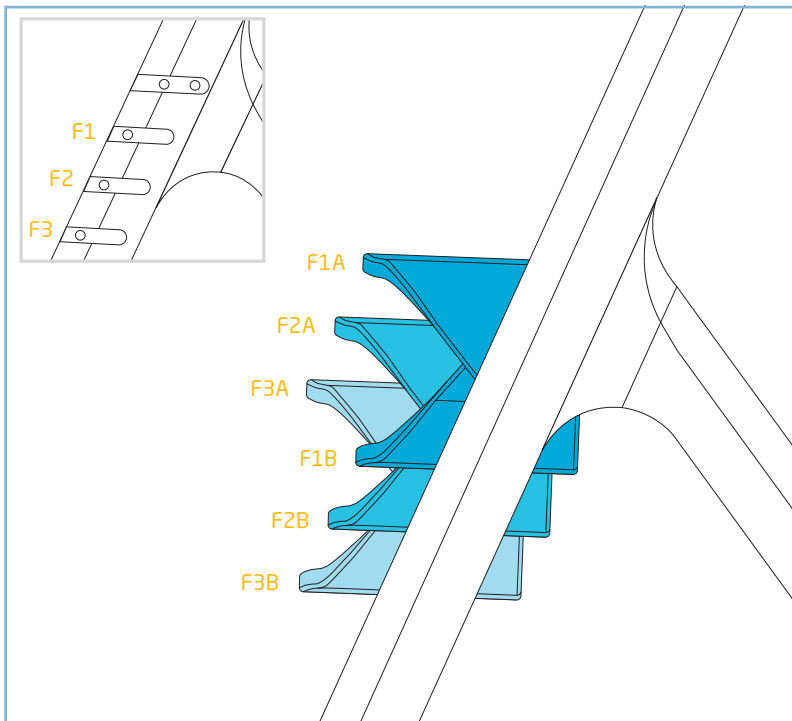
maxi-cosi.com



Maxi-Cosi | Nesta | 15



maxi-cosi.com





0M - 6M/9kg

EN	Newborn Kit sold separately	RU	Набор аксессуаров для новорожденных продается отдельно
FR	Kit d'accessoires pour nouveau-né vendu séparément	UK	Аксесуари до комплекту для новонароджених продаються окремо
DE	Zubehör-Satz für Neugeborene separat erhältlich	HR	Pribor za novorođenčad prodaje se zasebno
NL	Accessoireset voor pasgeboren baby's apart verkrijgbaar	SK	Príslušenstvo k súprave pre novorodencov predávané samostatne
ES	Kit de accesorios para recién nacidos vendido por separado	BG	Комплект аксесоари за новородени се продава отделно
IT	Kit di accessori per neonati venduto separatamente	HU	Az újszülött kelléket külön forgalmazzuk
PT	Kit de Acessórios para Recém-Nascido Vendido Separadamente	SL	Dodatek s kompletom za novorojenčke naprodaj posebej
SV	Tillbehörskit för spädbarn säljs separat	ET	Vastsündinu komplekti tarvikud müüakse eraldi
DA	Tilbehørssættet til nyfødte sælges separat	CS	Sada pomůcek pro novorozence se prodává zvlášť
FI	Vastasyntyneen sarjan lisävaruste myydään erikseen	RO	Accesorii kit pentru nou-născuți este vândut separat
NO	Tilbehørsett for nyfødte, selges separat	HE	דופן תרכום, דלונה ררל מירזיבא תכרע
EL	Κιτ για νεογέννητα, πωλείται χωριστά	AR	ملحوظ طقم الأطفال حديثي الولادة يُباع منفصلاً
TR	Yenidoğan Seti Aksesuarı Ayrı Olarak Satılır		
PL	Aksesorio do zestawu dla noworodków są sprzedawane oddzielnie		

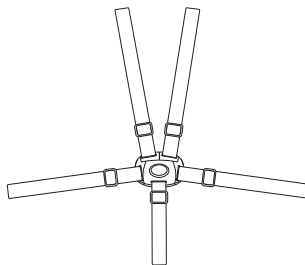
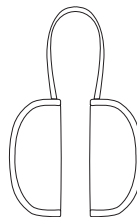
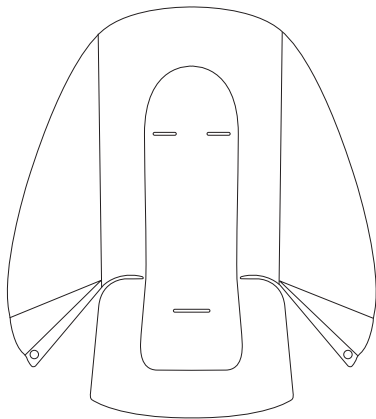
maxi-cosi.com



Maxi-Cosi | Nesta | 19

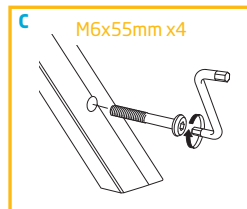
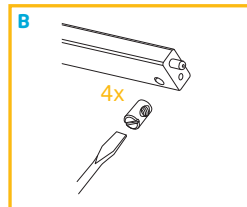
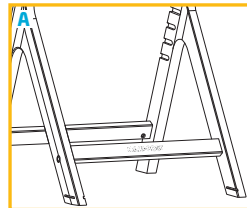
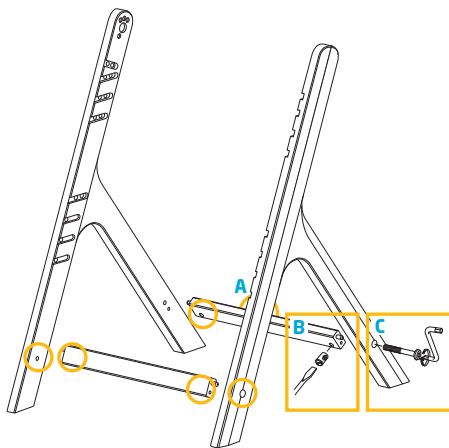


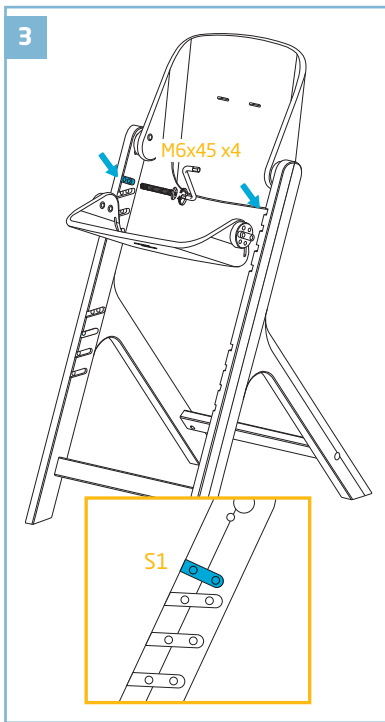
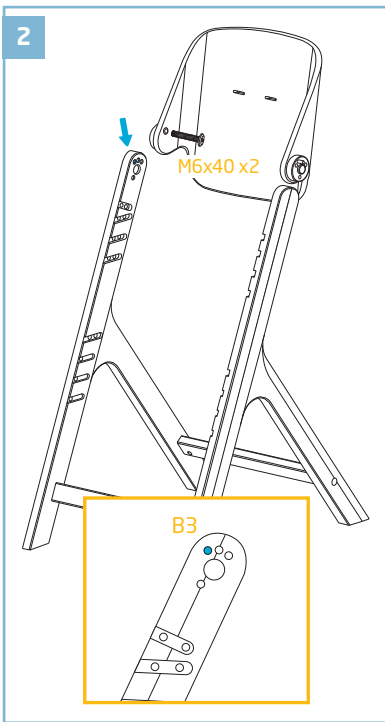
* Newborn Kit sold separately





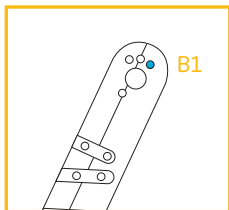
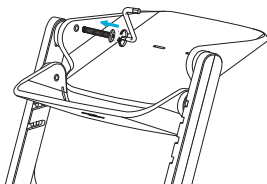
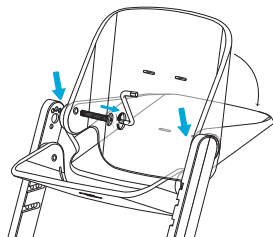
1



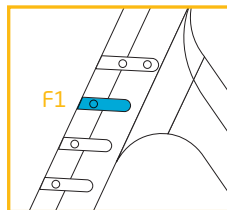
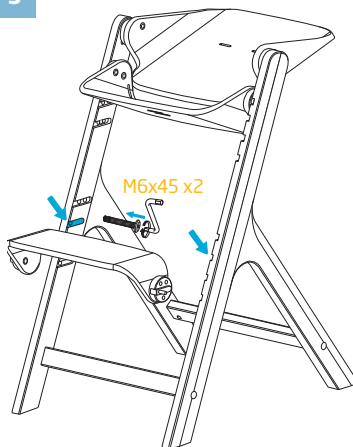




4

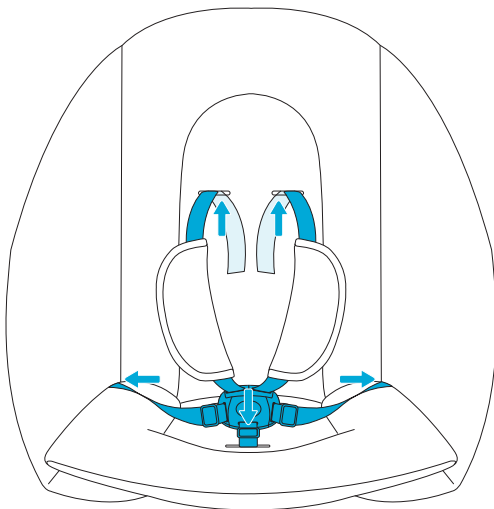


5



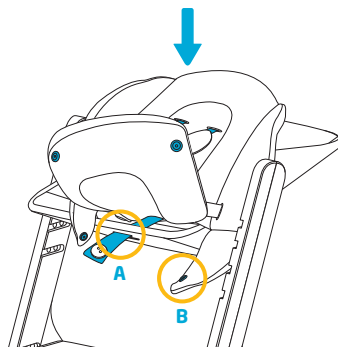
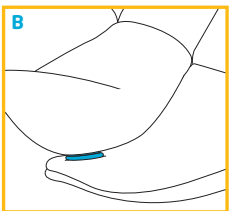
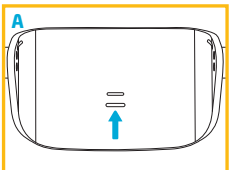
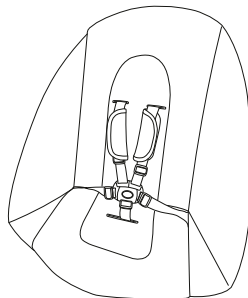
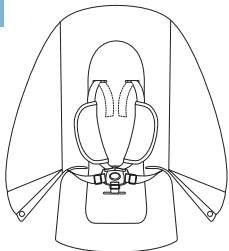


6





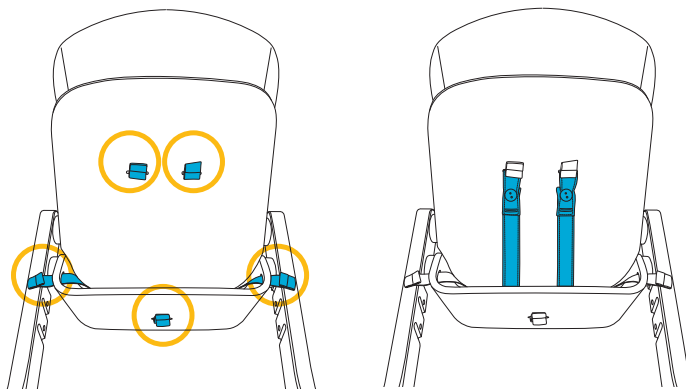
7



Maxi-Cosi | Nesta | 25



8

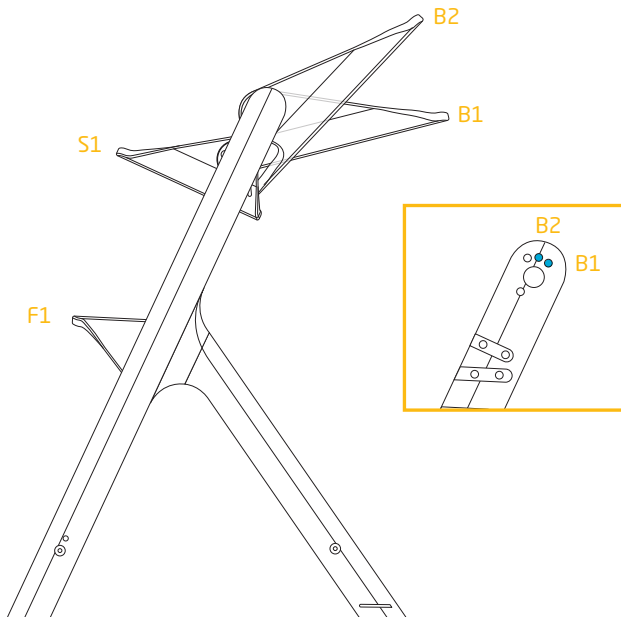




Maxi-Cosi | Nesta | 27



9





6M - 36M/15kg



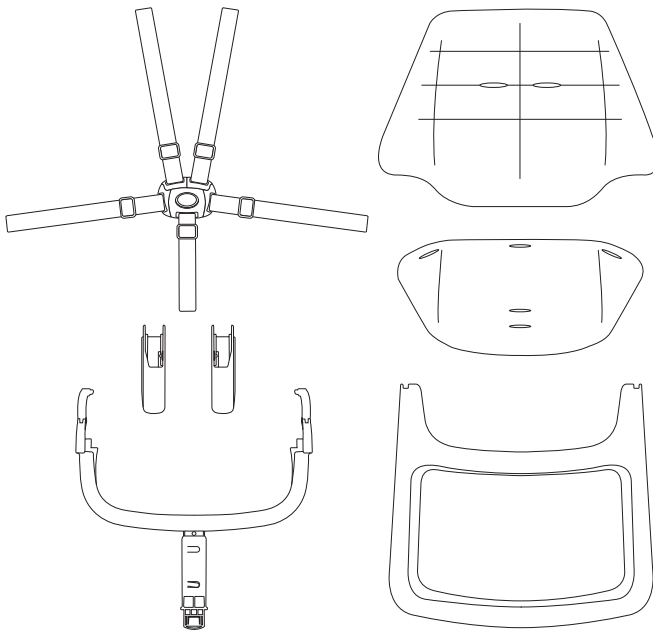
EN	Baby&Toddler Kit sold separately	RU	Набор аксессуаров для младенцев и детей младшего возраста продается отдельно
FR	Kit d'accessoires pour bébé et nourrisson vendu séparément	UK	Аксессуары до комплекту для немовлят і малюків продаються окремо
DE	Zubehör-Satz für Babys und Kleinkinder separat erhältlich	HR	Pribor za bebe i malu djecu prodaje se zasebno
NL	Accessoireset voor baby's en peuters apart verkrijgbaar	SK	Príslušenstvo k súprave pre batolať a malé deti predávané samostatne
ES	Kit de accesorios para bebés y niños pequeños vendido por separado	BG	Комплект аксесоари за бебета и малки деца се продава отделно
IT	Kit di accessori per neonati & bambini venduto separatamente	HU	A kisbabáknak/kisgyermeknek készült kelléket külön forgalmazzuk
PT	Kit de acessórios para Bebê e Criança Vendido Separadamente	SL	Dodatek s kompletom za dojenčke/malčke naprodaj posebej
SV	Tillbehörskit för barn och små barn säljs separat	ET	Beebi ja väikelapse komplekti tarvikud müüakse eraldi
DA	Tilbehørssættet til babyer og småbørn sælges separat	CS	Sada pomůcek pro miminka/batolata se prodává zvlášť
FI	Vauva- ja taaperosarjan lisävaruste myydään erikseen	RO	Accesorii kit pentru bebeluși și copii mici este vândut separat
NO	Tilbehørsett for babyer og småbarn, selges separat	HE	דרפנב תרכמן, תוטועפו ותוקינול מיריבא תכרע
EL	Κιτ για μωρά&νήπια, πωλείται χωριστά	AR	ملحق طقم الأطفال والصغار حديثي المشي يُباع منفصلاً
TR	Bebek ve Küçük Çocuk Seti Aksesuarı Ayrı Olarak Satılır		
PL	Aksesorio do zestawu dla niemowląt i dzieci są sprzedawane oddzielnie		

maxi-cosi.com



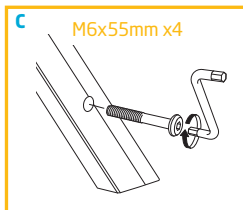
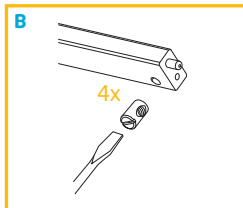
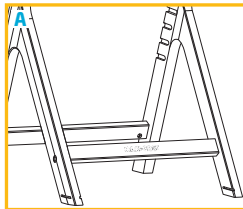
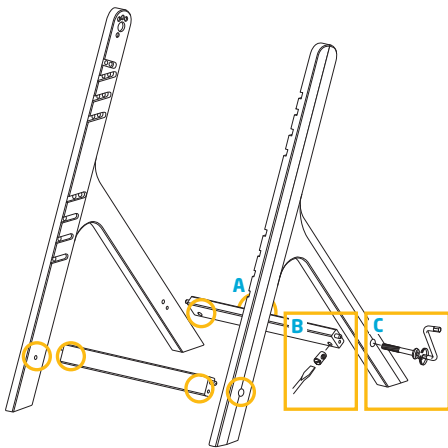


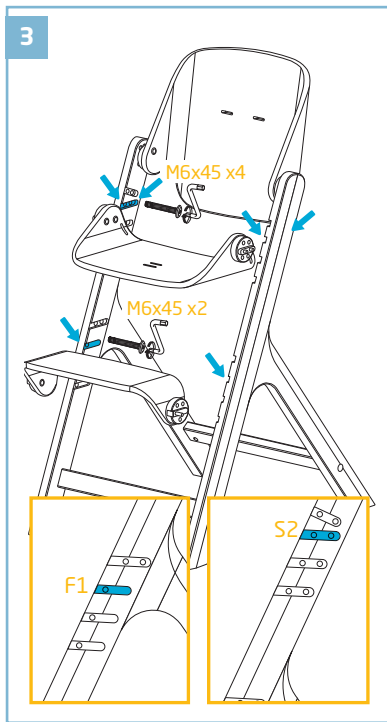
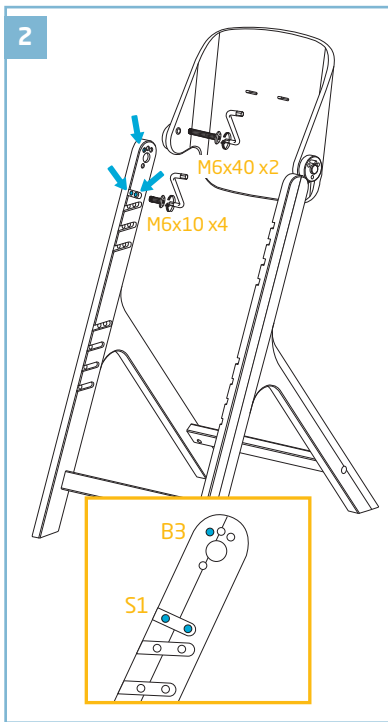
* Accessory sold separately





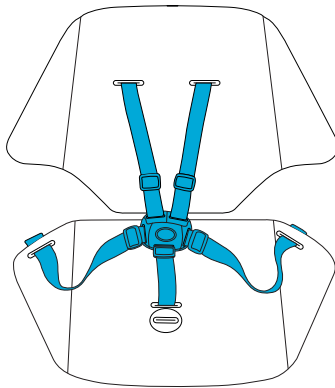
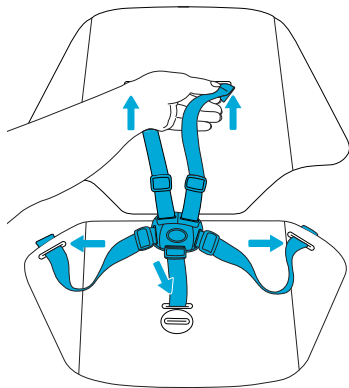
1





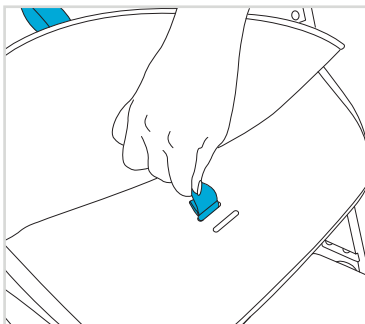
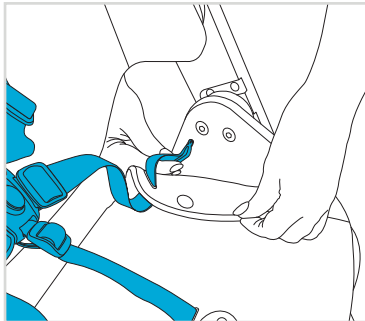
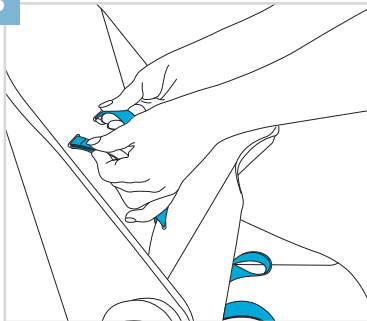


4



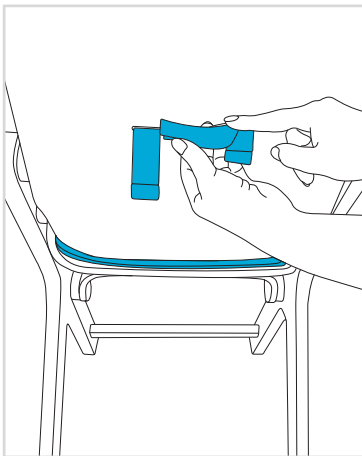
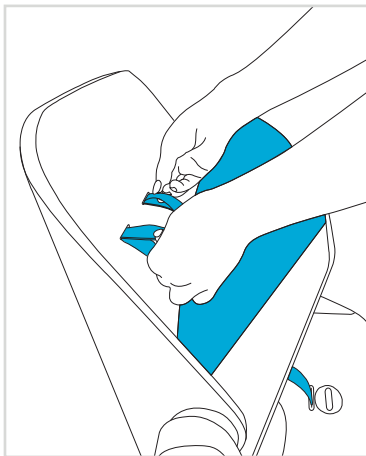


5



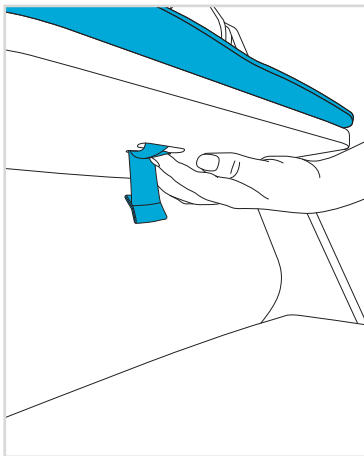
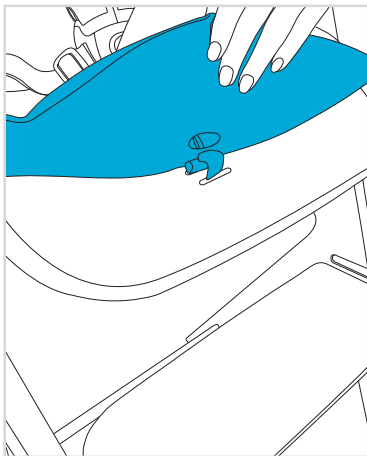


6



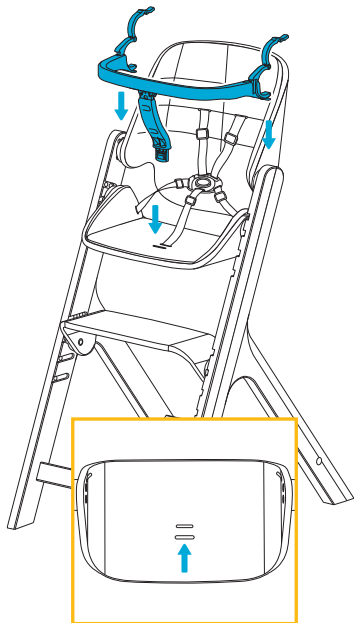


7

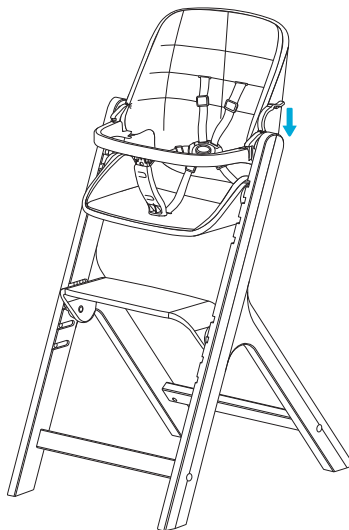




8a

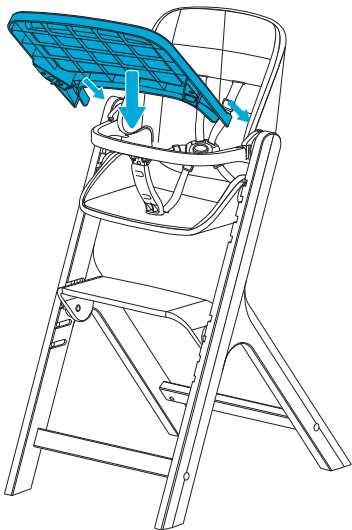


8b

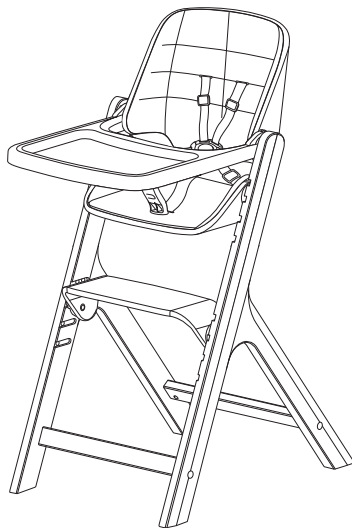




9a

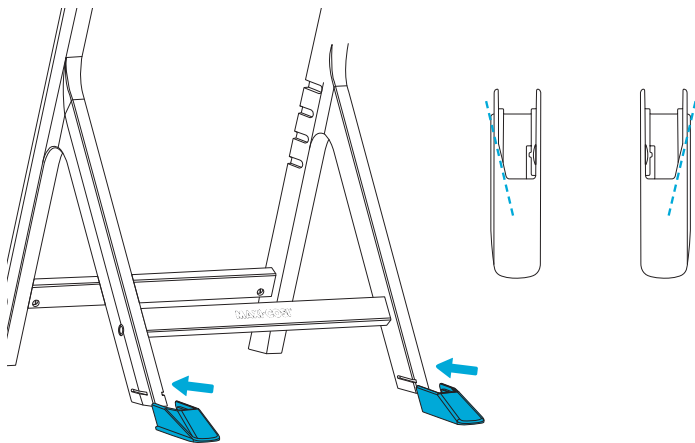


9b



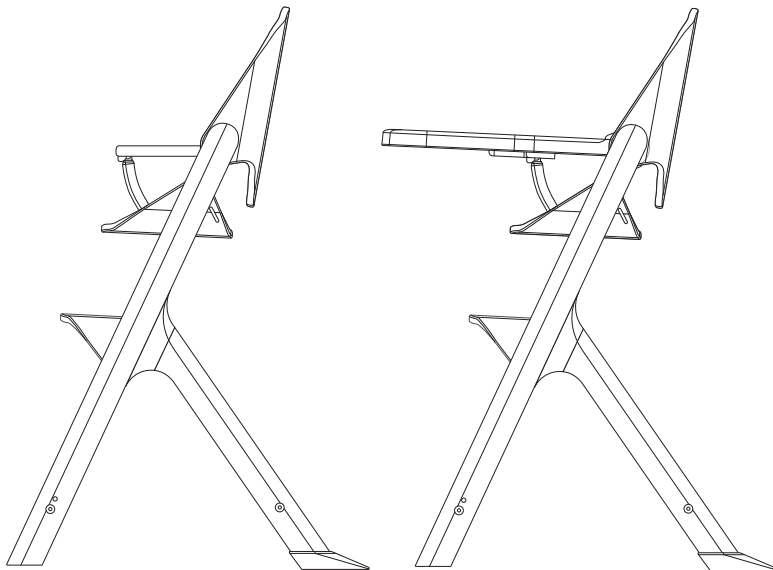


10





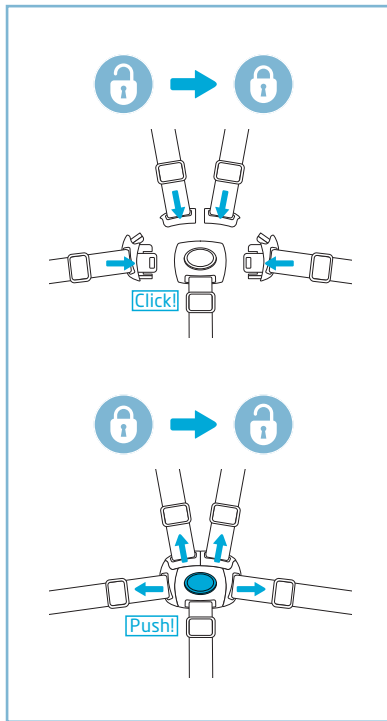
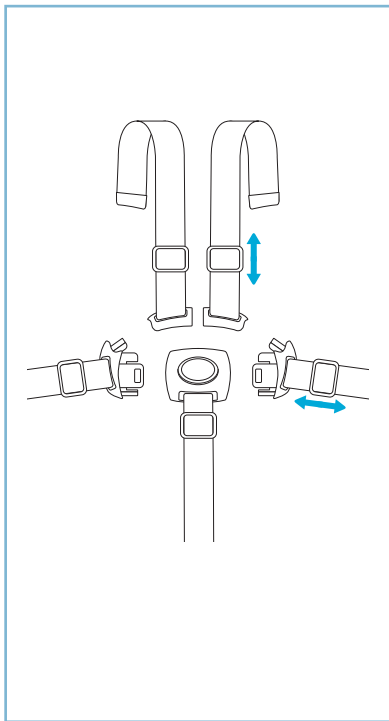
11





EN	Child installation	PL	Umieszczanie i zabezpieczenie dziecka
FR	Installation de l'enfant	RU	Размещение ребенка
DE	Anschnallen des Kindes	UK	Розміщення дитини
NL	Plaatsen van het kind	HR	Stavljanje djeteta
ES	Instalación del niño	SK	Inštalácia pre deti
IT	Accomodare il bambino	BG	Монтиран продукт за деца
PT	Instalação da criança	HU	Gyermekek behelyezése
SV	Placera barnet	SL	Namestitev otroka
DA	Barneinstallation	ET	Lapse paigutamine
FI	Lapsen asettaminen	CS	Umístění dítěte
NO	Plassering av barnet	RO	Introducerea copilului
EL	Τοποθέτηση του παιδιού	HE	הושבת הילד
TR	Çocuğun yerleştirilmesi	AR	تثبيت الطفل

maxi-cosi.com





3Y - 14Y/60kg

EN	Child chair	PL	Stołek dziecięcy
FR	Chaise pour enfant	RU	Детский табурет
DE	Kinderhocker	UK	Дитячий табурет
NL	Kinderstoel	HR	Dječja stolica
ES	Silla para niños	SK	Detská stolička bez opierky
IT	Sedia per bambini	BG	Столче за деца
PT	Banco para criança	HU	Gyermek kisszék
SV	Stol för barn	SL	Otroški stolček
DA	Børnestol	ET	Lastetool
FI	Korkea tuoli	CS	Dětská židle bez opěradla
NO	Barnestol	RO	Taburet pentru copii
EL	Παιδικό σκαμνάκι για παιδιά	HE	בן דליל הרפרש
TR	Çocuk taburesi	AR	كرسي أطفال بلا سند

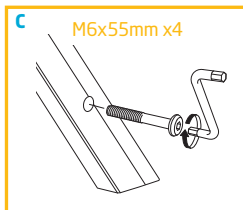
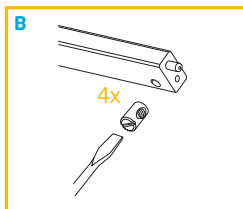
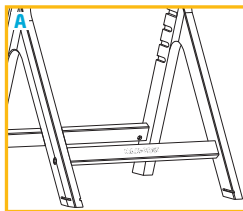
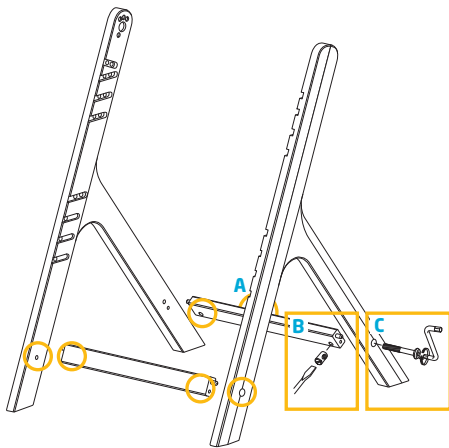
maxi-cosi.com

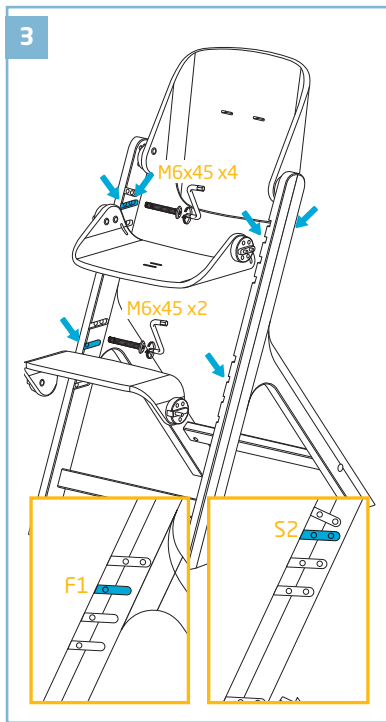
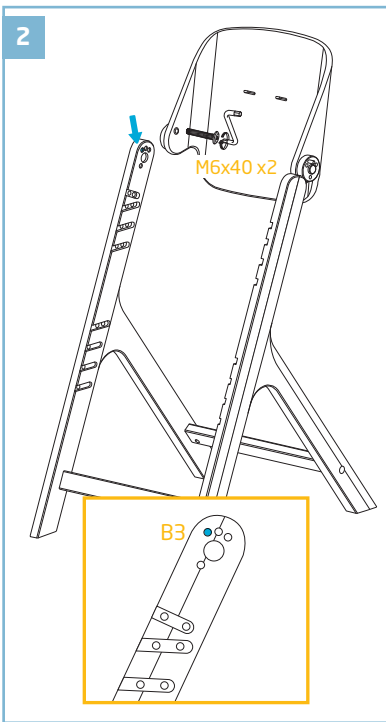


Maxi-Cosi | Nesta | 45



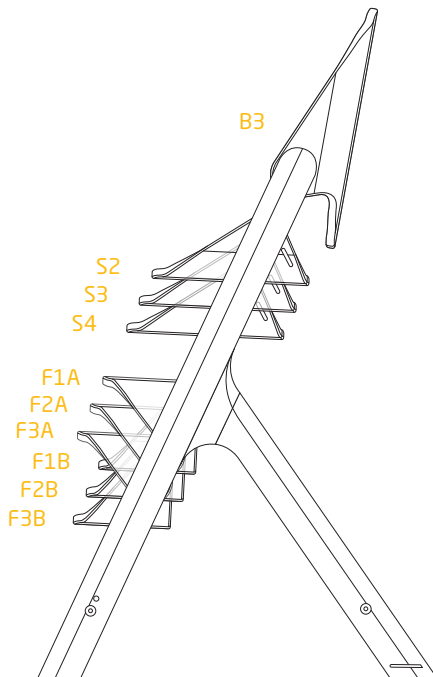
1







4



14Y+ / 110kg



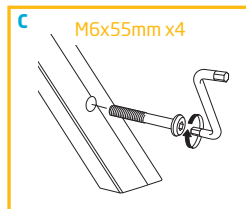
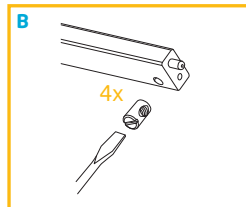
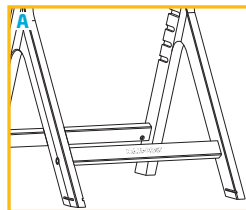
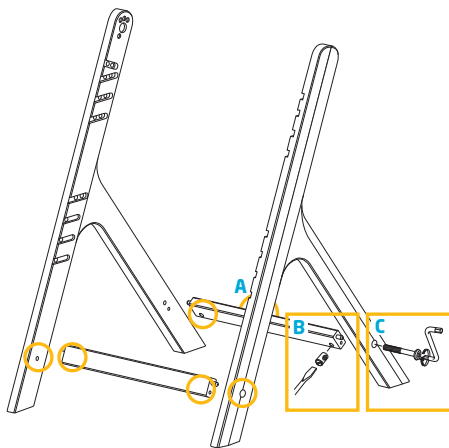
EN	Adult chair	PL	Krzesełło dla dorosłych
FR	Chaise adulte	RU	Стул для взрослых
DE	Stuhl für Erwachsene	UK	Крісло для дорослих
NL	Stoel voor volwassenen	HR	Stolica za odrasle
ES	Silla para adultos	SK	Stolička pre dospelých
IT	Sedia per adulti	BG	Стол за възрастни
PT	Cadeira de adulto	HU	Szék felnőtteknek
SV	Vuxen stol	SL	Stol za odrasle
DA	Voksen stol	ET	Tool täiskasvanutele
FI	Aikuisten tuoli	CS	Křeslo pro dospělé
NO	Voksen stol	RO	Scaun pentru adulti
EL	Καρέκλα ενηλίκων	HE	כסא למבוגרים
TR	Yetişkin sandalye	AR	كرسي للكبار

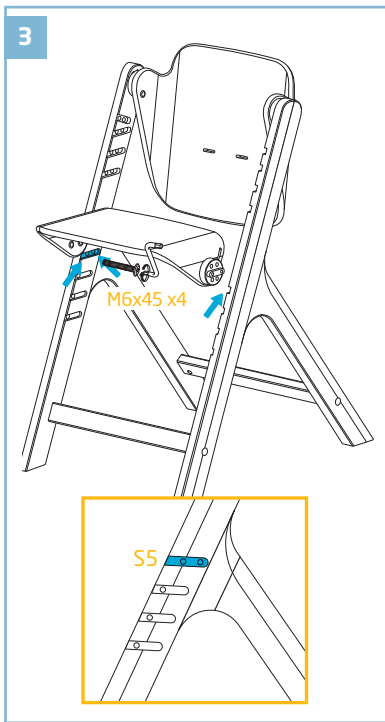
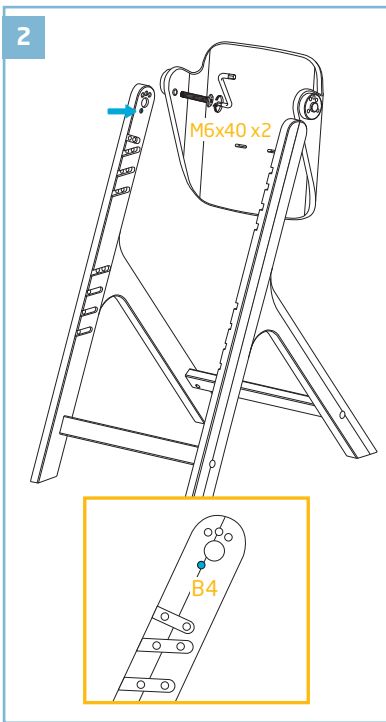
maxi-cosi.com





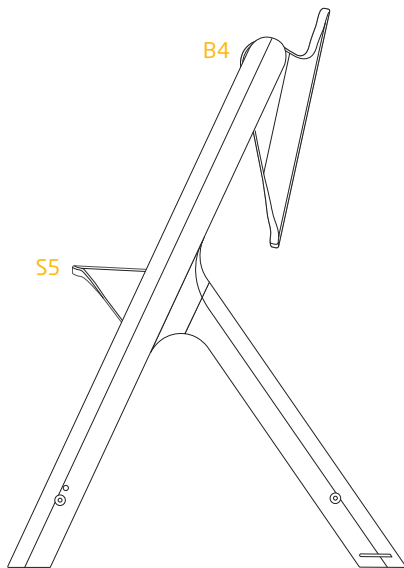
1







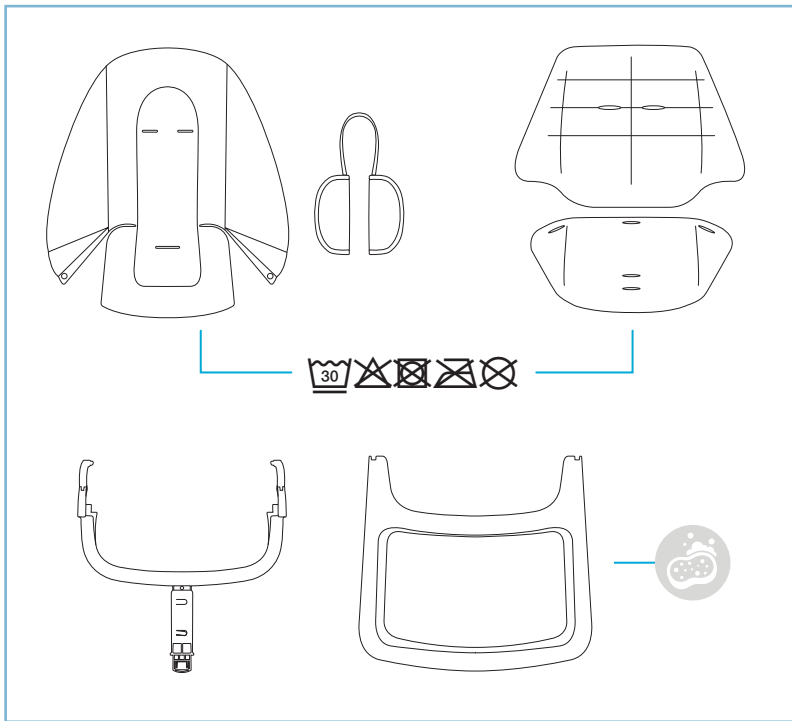
4





EN	Washing	PL	Czyszczenie
FR	Lavage	RU	Чистка
DE	Reinigung	UK	Прання
NL	Reinigen	HR	Pranje
ES	Lavado	SK	Pranie
IT	Lavaggio	BG	Почистване
PT	Lavagem	HU	Mosás
SV	Tvätttråd	SL	Pranje
DA	Vask	ET	Pesemine
FI	Pesu	CS	Praní
NO	Rengjøring	RO	Spălare
EL	Πλύσιμο	HE	כביסה
TR	Yıkama	AR	غسل

maxi-cosi.com





EN

SAFETY



Reclined Cradle 0M - 6M/9kg

Our products have been carefully designed and tested to ensure your baby's safety and comfort. EN 12790:2009.

WARNING:

- Never leave the child unattended.
- Do not use the reclined cradle once your child can sit unaided.
- This reclined cradle is not intended for prolonged periods of sleeping.
- It is dangerous to use this reclined cradle on an elevated surface, e.g. a table.
- Always use the restraint system.
- Never use the toy bar to carry the reclined cradle.

Additional information

1. The maximum weight is 9 kg.
2. This reclined cradle does not replace a cot or a bed. Should your child need to sleep, then it should be placed in a suitable cot or bed.
3. Do not use the reclined cradle if any components are broken or missing.
4. Do not use accessories or replacement parts other than those approved by the manufacturer.



High Chair 6M - 36M/15kg

Our products have been carefully designed and tested to ensure your baby's safety and comfort. EN14988:2017+A1:2020. - Children's high chairs.

WARNING:

- Never leave the child unattended.
- Always use the restraint system.



EN

- Falling hazard: Prevent your child from climbing on the product.
- Do not use the product unless all components are correctly fitted and adjusted.
- Be aware of the risk of open fires and other sources of strong heat in the vicinity of the product.
- Be aware of the risk of tilting when your child can push its feet against a table or any other structure.

Additional information

1. Do not use the product until the child can sit up unaided;
2. Do not use the product if any part is broken, torn or missing;
3. Please keep children away when unfolding and folding the product to avoid injury;
4. This High Chair is intended for children able to sit up unaided and up to 3 years or a maximum weight of 15 kg.



Child chair 3Y - 14Y/60kg

Our products have been carefully designed and tested to ensure your baby's safety and comfort. EN 17191: 2021 Seating for children.

WARNING:

- Never leave the child unattended.
- DO NOT place this product near a window as it can be used as a step by the child and cause the child to fall out of the window.
- Be aware of the risk of open fires and other sources of strong heat in the vicinity of the product.
- DO NOT place this product near a window where cords from blinds or curtains could strangle a child.

Additional information

1. This seating is intended for children



EN

capable to walk and sit unaided under 14 years old.

2. All assembly fittings should always be tightened properly
3. Do not use the seating if any part is broken, torn or missing and use only spare parts approved by the manufacturer
4. Restraint system shall be removed/hidden/covered (as applicable) when the product is used as a seating.

clean mechanical parts every fortnight.

- Do not force it if it becomes difficult to fold it up or unfold it. Clean the product. If difficulties persist, contact your supplier.
- Caring: Use a sponge and mild soap. Do not use detergent.
- For washing the garment, please consult the instruction label.

Environment

For environmental reasons, when you have stopped using this product, we ask that you dispose of the product in the proper waste facilities in accordance with local legislation.

Questions

Please contact your local distributor or visit our website. When doing so please have the following information to hand:

- Serial number
- Age (height) and weight of your child.

Warranty

Our 24 months warranty reflects our confidence in the high quality of our design, engineering, production and product performance. We confirm that this product was



Adult chair 14Y+ / 110kg

Our products have been carefully designed and tested to ensure safety and comfort. EN12520:2016.



Product care advice

- The product must be maintained regularly to provide full satisfaction. We advise you to check and if necessary



EN

manufactured in accordance with the current European safety requirements and quality standards which are applicable to this product, and that this product is free from defects on materials and workmanship at the time of purchase. Under the conditions mentioned herein, this warranty may be invoked by consumers in the countries where this product has been sold by a subsidiary of the Dorel Group or by an authorized dealer or retailer.

Our 24 months warranty covers all manufacturing defects in materials and workmanship when used in normal conditions and in accordance with our user manual for a period of 24 months from the date of the original retail purchase by the first end-user customer. To request repairs or spare parts under our warranty for defects in materials and workmanship you must present your proof of purchase, made within the 24 months preceding the service request.

Our 24 months warranty does not apply to defects caused by normal wear and tear, damage caused by accidents, abusive use, negligence, fire, liquid contact or other external cause, damage which is the

consequence of failing to comply with the user manual, damage caused by use with another product, damage caused by service by anyone who is not authorized by us, or if the product is stolen or if any label or identification number has been removed from the product or has been changed. Examples of normal wear and tear include wheels and fabric worn down by regular use and the natural breakdown of colors and materials due to normal aging of the product.

What to do in case of defects:

Should problems or defects arise, your first point of contact is the authorized dealer or retailer recognized by us. Our 24 months warranty is recognized by them⁽¹⁾. You must present your proof of purchase, made within the 24 months preceding the service request. It is easiest if you get your service request pre-approved by us. If you submit a valid claim under this warranty, we may request that you return your product to the authorized dealer or retailer recognized by us or that you ship the product to us in accordance with our instructions. We will pay for shipment and for return freight if



EN

all instructions are followed. Damage and/or defects neither covered by our warranty nor by the legal rights of the consumer and/or damage and/or defects with respect to products that are not covered by our warranty can be handled at a reasonable fee.

⁽³⁾Products purchased from retailers or dealers that remove or change labels or identification numbers are considered unauthorized. Products purchased from unauthorized retailers are also considered unauthorized. No warranty applies to these products since the authenticity of these products cannot be ascertained.

Rights of the consumer:

A consumer has legal rights pursuant to applicable consumer legislation, which may vary from country to country. The rights of the consumer under applicable national legislation are not affected by this warranty.

This warranty is provided by Dorel Netherlands. We are registered in The Netherlands under company number 17060920. Our trading address is Korendijk 5, 5704 RD Helmond, The Netherlands, and our postal address is P.O. Box 6071, 5700 ET Helmond, The Netherlands.

The names and address details of other subsidiaries of the Dorel group can be found on the last page of this manual and on our website for the brand concerned.



FR

SÉCURITÉ



Transat 0M - 6M/9kg

Nos produits ont été conçus et testés avec soin pour la sécurité et le confort des enfants.
EN 12790 : 2009.

AVERTISSEMENT :

- Ne jamais laisser l'enfant sans surveillance.
- Ne plus utiliser le transat dès lors que l'enfant tient assis tout seul.
- Ce transat n'est pas prévu pour de longues périodes de sommeil.
- Il est dangereux d'utiliser ce transat sur une surface en hauteur: par exemple, une table.
- Toujours utiliser le système de retenue.
- Ne jamais utiliser l'arceau de jeu

pour porter le transat.

Informations supplémentaires

1. Le poids maximum est de 9 kg.
2. Ce transat ne remplace pas un couffin ou un lit. Lorsque l'enfant a besoin de dormir, il convient de le placer dans un couffin ou un lit approprié.
3. Ne pas utiliser le transat si des composants sont cassés ou manquants.
4. Ne pas utiliser d'accessoires ou pièces de rechange autres que ceux approuvés par le fabricant.



Chaise haute pour enfant 6M - 36M/15kg

Nos produits ont été conçus et testés avec soin pour la sécurité et le confort des enfants.
EN14988:2017+A1:2020. - Chaise haute pour enfant.

AVERTISSEMENT :

- Ne jamais laisser un enfant sans surveillance.



FR

- Toujours utiliser le harnais.
- Risque de chute: empêcher l'enfant de grimper sur le produit.
- Ne pas utiliser le produit tant que tous les éléments ne sont pas correctement ajustés et réglés.
- Ne pas placer le produit à proximité d'une cheminée ou de toute source de chaleur importante pour éviter les risques de brûlure.
- Risque de basculement si l'enfant a la possibilité d'appuyer ses pieds contre une table ou tout autre élément.

Informations supplémentaires

1. Ne pas utiliser le produit jusqu'à ce que l'enfant puisse s'asseoir seul.
2. Ne pas utiliser le produit si des composants sont cassés ou manquants.
3. Merci de tenir l'enfant à l'écart lors du

pliage et du dépliage de la chaise haute pour éviter tout risque de blessure.

4. Cette chaise haute est conçue et développée pour les enfants capables de se tenir assis sans aide et jusqu'à 3 ans ou un maximum de 15 kg.



Chaise pour enfant 3Y - 14Y/60kg

Nos produits ont été conçus et testés avec soin pour la sécurité et le confort des enfants. EN 17191: 2021 Siège pour enfant.

AVERTISSEMENT:

- Ne jamais laisser l'enfant sans surveillance.
- NE PAS placer ce produit à côté d'une fenêtre, car l'enfant pourrait l'utiliser pour se hisser à hauteur de la fenêtre et risquerait de tomber.
- Pour éviter tout risque, ne pas placer ce produit à proximité de



FR

feux ouverts ou d'autres sources de chaleur intense.

• **NE PAS** placer ce produit à côté d'une fenêtre où l'enfant pourrait s'étrangler avec les cordons des rideaux.

Informations supplémentaires

1. Ce siège est destiné aux enfants de moins de 7 ans capables de marcher et de s'asseoir seuls.
2. Tous les raccords d'assemblage doivent toujours être correctement serrés
3. Ne pas utiliser le siège si une pièce est cassée, déchirée ou manquante et n'utiliser que des pièces de rechange approuvées par le fabricant
4. Le système de retenue doit être retiré / caché / couvert (selon le cas) lorsque le produit est utilisé comme siège.



Chaise adulte
14Y+ / 110kg

Nos produits ont été soigneusement conçus et testés pour garantir sécurité et confort.
EN12520:2016.



Conseil d'entretien produit

- Pour une entière satisfaction, votre produit dépend d'un entretien régulier. Nous vous conseillons de contrôler et de nettoyer au besoin les parties mécaniques tous les 15 jours.
- Si des difficultés de pliage ou dépliage apparaissent, ne forcez jamais, mais nettoyez votre produit. Si les difficultés persistent, contactez votre revendeur.
- Entretien : Utilisez une éponge et un savon doux. N'utilisez pas de détergent.
- Pour le lavage de la confection, consulter la vignette de contexture située sur la confection.



FR

Environnement

Lorsque vous n'utilisez plus le produit, nous vous prions par souci de l'environnement de vous débarrasser du produit en faisant le tri des déchets et conformément à la législation locale en la matière.

Questions

Veuillez prendre contact avec votre distributeur local. Veuillez à avoir les informations suivantes sous la main :

- Numéro de série
- L'âge (la taille) et le poids de votre enfant.

Garantie

Notre garantie de 24 mois reflète notre confiance dans la qualité supérieure de notre conception, ingénierie, production et la performance du produit. Nous garantissons que ce produit a été fabriqué conformément aux exigences de sécurité et normes de qualité actuelles européennes applicables à ce produit, et que ce produit est, au moment de l'achat, exempt de défaut de matériaux et de fabrication. Dans les conditions mentionnées dans ce document, cette garantie peut être invoquée par

les consommateurs dans les pays où ce produit a été vendu par une filiale du groupe Dorel ou par un revendeur ou détaillant autorisé.

Notre garantie de 24 mois couvre tous les défauts de matériaux et de fabrication pour une utilisation dans des conditions normales et conformément à la notice pour une période de 24 mois à compter de la date de l'achat initial par le premier client utilisateur. Pour demander des réparations ou des pièces de rechange sous garantie pour des défauts de matériaux et de fabrication, vous devez présenter la preuve d'un achat effectué dans les 24 mois précédant la demande de service.

Notre garantie de 24 mois ne couvre pas les dommages causés par l'usure normale, les accidents, l'utilisation abusive, la négligence, le feu, le contact avec un liquide ou toute autre cause extérieure, les dommages résultant d'une utilisation non conforme au mode d'emploi, de l'utilisation avec un autre produit, d'une réparation ou d'un entretien mené par une personne non autorisée par nos services, les produits volés, ne portant plus l'étiquette ou le numéro d'identification ou les produits



dont ce numéro a été modifié. Des exemples d'usure normale comprennent : des roues et des tissus usés par l'utilisation régulière et la décoloration et la décomposition naturelle de couleurs et des matériaux dus à la vétusté du produit.

Que faire en cas de défauts :

Si des problèmes ou des défauts surviennent, le meilleur choix pour un service rapide est de consulter un revendeur agréé par nos services. Notre garantie de 24 mois est reconnue par ceux-ci⁽¹⁾. Vous devez présenter la preuve d'un achat effectué dans les 24 mois précédant la demande de service. Cela est plus facile si vous obtenez l'approbation au préalable de votre demande auprès de nos services. Si vous soumettez une réclamation valide en vertu de cette garantie, nous pouvons vous demander de retourner votre produit au distributeur agréé ou de nous envoyer le produit conformément à nos instructions. Nous payerons les frais d'envoi et de retour si toutes les instructions sont correctement suivies. Les dommages et/ou défauts qui ne sont couverts ni par notre garantie ni par les droits légaux

du consommateur et/ou les dommages et/ou défauts en rapport à des produits qui ne sont pas couverts par notre garantie peuvent être traités à un tarif raisonnable.

Droits du consommateur :

Un consommateur a des droits légaux, en vertu de la législation applicable à la consommation, qui peuvent varier d'un pays à l'autre. Les droits du consommateur en vertu de la législation nationale applicable ne sont pas affectés par cette garantie.

Cette garantie est fournie par Dorel Pays-Bas. Nous sommes enregistrés aux Pays-Bas sous le numéro d'entreprise 17060920. Notre adresse commerciale est Korendijk 5, 5704 RD Helmond, Pays-Bas, et notre adresse postale est P.O. Box 6071, 5700 ET Helmond, Pays-Bas.

Vous pouvez trouver les noms et les adresses des autres filiales du groupe Dorel à la dernière page de ce manuel et sur notre site Web pour la marque concernée.



(1) Les produits achetés auprès de détaillants ou de revendeurs qui ôtent ou changent les étiquettes ou les numéros d'identifications sont considérés comme non autorisés. Les produits achetés auprès de revendeurs non autorisés sont également considérés comme non autorisés. Aucune garantie ne s'applique à ces produits puisque leur authenticité ne peut pas être vérifiée.





DE

SICHERHEIT



Wippe 0M - 6M/9kg

Unsere Produkte wurden mit Sorgfalt entwickelt und geprüft, um die Sicherheit und den Komfort Ihres Babys zu gewährleisten. DIN EN 12790:2009.

WARNUNG:

- Lassen Sie Ihr Kind nie unbeaufsichtigt.
- Es ist gefährlich, die Wippe auf eine erhöhte Fläche zu stellen, z.B. auf einen Tisch.
- Die Wippe niemals am Bügel tragen.
- Die Wippe nicht mehr verwenden, sobald das Kind alleine sitzen kann.
- Diese Wippe ist nicht für eine längere Schlafenszeit

vorgesehen.

- Verwenden Sie stets die Haltevorrichtung.

Additional information

1. Diese Wippe ist für Kinder ab 0 Monaten und bis zu 9 kg ausgelegt.
2. Diese Wippe ist nicht zum Schlafen geeignet. Wenn das Kind müde ist, sollte es in eine geeignete Tragetasche oder ein Bett gelegt werden.
3. Verwenden Sie die Wippe nicht, wenn Teile fehlen oder kaputt sind.
4. Verwenden Sie nur Zubehör oder Ersatzteile, die vom Hersteller verkauft und empfohlen werden. Der Einsatz von Fremdzubehör kann gefährlich sein.



Hochstuhl 6M - 36M/15kg

Unsere Produkte wurden mit Sorgfalt entwickelt und geprüft, um die Sicherheit und den Komfort Ihres Babys zu gewährleisten. DIN EN14988:2017+A1:2020. - Kinderhochstühle.



DE

WARNUNG:

- Lassen Sie Ihr Kind nie unbeaufsichtigt.
- Verwenden Sie immer das Rückhaltesystem.
- Sturzgefahr: Das Kind darf nicht auf das Produkt klettern.
- Das Produkt erst dann gebrauchen, wenn alle Komponenten richtig montiert und eingestellt sind.
- Das Risiko offener Flammen und anderer starker Hitzequellen in der näheren Umgebung des Produktes berücksichtigen.
- Wenn sich Ihr Kind mit den Füßen am Tisch oder an einem anderen Gegenstand abstoßen kann, besteht die Gefahr des Umkippens.

Zusätzliche Informationen

1. Das Produkt erst dann verwenden, wenn das Kind selbstständig sitzen kann;
2. Das Produkt nicht gebrauchen, wenn ein Teil beschädigt oder verformt ist oder fehlt;
3. Das Produkt beim Auf- und Zuklappen von Kindern fernhalten, um Verletzungen zu vermeiden;
4. Dieser Hochstuhl ist für selbstständig sitzende Kinder bis zu einem Alter von 3 Jahren bzw. einem Gewicht bis 15 kg ausgelegt.



Kinderhocker 3Y - 14Y/60kg

Unsere Produkte wurden mit Sorgfalt entwickelt und geprüft, um die Sicherheit und den Komfort Ihres Babys zu gewährleisten. EN 17191: 2021 Sitzgelegenheiten für Kinder.

WARNUNG:

- Lassen Sie Ihr Kind nie unbeaufsichtigt.
- Dieses Produkt NICHT in der



DE

Nähe eines Fensters aufstellen, da es vom Kind als Stufe benutzt werden kann, sodass es aus dem Fenster fallen könnte.

- Auf die Risiken von offenem Feuer und anderen starken Hitzequellen in der Nähe des Produkts achten.
- Dieses Produkt NICHT in der Nähe eines Fensters aufstellen, wo die Schnüre von Jalousien oder Vorhängen ein Kind strangulieren könnten.

Zusätzliche Informationen

1. Diese Bestuhlung ist für Kinder gedacht, die unter 7 Jahren ohne fremde Hilfe gehen und sitzen können.
2. Alle Montagebeschläge sollten immer richtig festgezogen werden
3. Verwenden Sie den Sitz nicht, wenn ein Teil beschädigt ist, zerrissen ist oder fehlt, und verwenden Sie nur vom Hersteller

zugelassene Ersatzteile

4. Das Rückhaltesystem muss entfernt / versteckt / abgedeckt sein (falls zutreffend), wenn das Produkt als Sitz verwendet wird.



Stuhl für Erwachsene 14Y+ / 110kg

Unsere Produkte wurden sorgfältig entwickelt und getestet, um Sicherheit und Komfort zu gewährleisten. EN12520:2016.



Hinweise zur Produktpflege

- Das Produkt muss regelmäßig gereinigt werden, um einwandfrei zu funktionieren. Wir empfehlen, die mechanischen Teile alle vierzehn Tage zu überprüfen und bei Bedarf zu reinigen.
- Im Falle von Schwierigkeiten beim Auf- oder Zuklappen keine übermäßige Kraft aufwenden. Stattdessen das Produkt reinigen.



DE

Wenn die Schwierigkeiten bestehen bleiben, wenden Sie sich an Ihren Händler.

- Reinigung: Mit einem Schwamm und milder Seife. Keine Reinigungsmittel verwenden.
- Zum Reinigen des Bezugs siehe Waschanleitungen auf dem Etikett.

Umwelt

Wenn Sie das Produkt nicht mehr verwenden, bitten wir Sie, das Produkt entsprechend der lokalen Gesetzgebung umweltgerecht zu entsorgen.

Fragen

Kontaktieren Sie bitte Ihren Händler vor Ort oder besuchen Sie uns auf unserer Website. Achten Sie darauf, dass Sie die folgenden Angaben zur Hand haben:

- Seriennummer
- Alter (Größe) und Gewicht Ihres Kindes.

Garantie

Unsere 24-Monats-Garantie zeigt, wie groß unser Vertrauen in die hohe Qualität unserer Design-, Technik-, Produktions- und Produktleistung ist. Wir garantieren, dass dieses Produkt gemäß den aktuellen europäischen Sicherheitsanforderungen und

Qualitätsstandards hergestellt wurde, die auf dieses Produkt Anwendung finden und dass dieses Produkt zum Zeitpunkt des Kaufes frei von Material- und Verarbeitungsmängeln ist. Unter den hier beschriebenen Bedingungen kann diese Garantie von Verbrauchern in den Ländern, in denen dieses Produkt von einer Tochtergesellschaft der Dorel Group oder einem autorisierten Händler oder Verkäufer verkauft wurde, geltend gemacht werden.

Unsere 24-Monats-Garantie erstreckt sich auf Material- und Verarbeitungsmängel bei Verwendung unter normalen Bedingungen und gemäß unserem Benutzerhandbuch für einen Zeitraum von 24 Monaten ab dem Datum des ursprünglichen Einzelhandelskaufs durch den Endkunden. Zur Anforderung von Reparaturen oder Ersatzteilen im Rahmen der Garantie aufgrund von Material- und Verarbeitungsmängeln ist der Nachweis zu erbringen, dass der Kauf innerhalb von 24 Monate vor dieser Service-Anforderung erfolgt ist.

Unsere 24-Monats-Garantie erstreckt sich nicht auf Schäden aufgrund von normalem Verschleiß, Schaden durch Unfälle,



missbräuchlicher Verwendung, Fahrlässigkeit, Feuer, Kontakt mit Flüssigkeiten oder sonstige externe Ursachen, Schaden infolge der Nichtbefolgung des Benutzerhandbuchs, Schaden durch Verwendung mit einem anderen Produkt, Schaden aufgrund von Wartung oder Reparatur durch eine Person, die nicht von uns autorisiert wurde, oder Diebstahl des Produktes oder Entfernung oder Änderung eines Etiketts oder einer Kennnummer vom bzw. am Produkt. Beispiele für normalen Verschleiß sind die Abnutzung von Rädern und Gewebe durch regelmäßige Nutzung und die natürliche Farb- und Materialabschwächung über einen längeren Zeitraum und eine längere Nutzungsdauer.

Was im Falle von Mängeln zu tun ist:

Falls Probleme oder Mängel auftreten, sollten Sie sich für schnellen Service am besten an den von uns autorisierten Händler oder Verkäufer wenden. Unsere 24-Monats-Garantie wird dort anerkannt⁽¹⁾. Dazu ist ein Nachweis zu erbringen, dass der Kauf innerhalb von 24 Monaten vor der Service-Anforderung erfolgt ist. Am einfachsten ist es, Ihre Service-Anforderung vorab von

unserem Kundenservice genehmigen zu lassen. Wenn Sie unter dieser Garantie einen gültigen Anspruch vorbringen, verlangen wir möglicherweise, dass Sie das Produkt an den von uns autorisierten Händler oder Verkäufer im Einklang mit unseren Anweisungen zurückgeben. Wir zahlen die Gebühren für Sendung und Rücksendung, wenn alle Anweisungen befolgt werden. Schäden und/oder Mängel, die weder von unserer Garantie noch den gesetzlichen Rechten des Verbrauchers abgedeckt sind, und/oder Schäden und/oder Mängel an Produkten, die nicht von unserer Garantie abgedeckt sind, können gegen ein angemessenes Entgelt bearbeitet werden.

Rechte des Verbrauchers:

Dem Verbraucher stehen die gesetzlichen Rechte gemäß des geltenden Gewährleistungsrechts zu; diese können von Land zu Land variieren. Diese Rechte des Verbrauchers unter geltender nationaler Gesetzgebung werden von dieser Garantie nicht eingeschränkt.



DE

Diese Garantie wird von Dorel Netherlands bereitgestellt. Wir sind in den Niederlanden unter der Firmennummer 17060920 eingetragen. Unsere Geschäftsadresse ist Korendijk 5, 5704 RD Helmond, The Netherlands, und unsere Postanschrift ist P.O. Box 6071, 5700 ET Helmond, The Netherlands.

Die Namen und Adressen anderer Tochtergesellschaften der Dorel-Gruppe finden Sie auf der letzten Seite dieses Handbuch und auf unserer Website für die jeweilige Marke.

(1) Produkte, bei denen die Etiketten oder Identifikationsnummern entfernt oder geändert wurden, gelten als nicht zugelassen. Für diese Produkte wird keine Garantie gewährt, da die Echtheit dieser Produkte nicht feststellbar ist.



NL

VEILIGHEID



Wipstoel 0M - 6M/9kg

Onze producten werden zorgvuldig ontworpen en getest om de veiligheid en het comfort van uw baby te garanderen. EN 12790:2009.

WAARSCHUWING:

- Laat nooit uw kind alleen zonder toezicht.
- Het is uiterst gevaarlijk het wipstoeltje op een verhoogd oppervlak te plaatsen zoals b.v. een tafel, salontafel, enz.
- De speelboog mag nooit gebruikt worden om het wipstoeltje te dragen.
- Het wipstoeltje mag niet gebruikt worden als het kind zelfstandig kan zitten.

- Dit wipstoeltje is niet geschikt om een baby langdurig in te laten slapen.
- Gebruik altijd het harnas, sluit het in elke omstandigheid.

Bijkomende informatie

1. Deze wipstoel is ontworpen voor baby's vanaf 0 maand en tot 9 kg
2. Sluit steeds en in elke omstandigheid het harnas in combinatie met het tussenbeenstukje.
3. Alvorens het product te gebruiken dient u alle sluitingen en mechanismen te controleren.
4. Gebruik uitsluitend accessoires, onderdelen of wisselstukken die door de fabrikant of verdeler worden aanbevolen. Het gebruik van andere accessoires kan gevaar voor het kind opleveren.



Hoge kinderstoel 6M - 36M/15kg

Onze producten werden zorgvuldig



NL

ontworpen en getest om de veiligheid en het comfort van uw baby te garanderen. EN14988:2017+A1:2020. - Hoge kinderstoelen.

WAARSCHUWING:

- Laat nooit uw kind alleen zonder toezicht.
- Altijd het veiligheidstuigje gebruiken.
- Valgevaar: Laat uw kind niet op het product klimmen.
- Gebruik het product niet tenzij alle onderdelen correct geplaatst en afgesteld werden.
- Let op het risico van open vuur en andere bronnen van sterke hitte in de buurt van het product.
- Let op het risico van kantelen wanneer uw kind met de voeten tegen de tafel of eender welke andere structuur kan stoten.

Bijkomende informatie

1. Gebruik het product niet zolang het kind niet zelfstandig rechtop kan zitten
2. Gebruik het product niet wanneer er onderdelen stuk en versleten zijn of ontbreken;
3. Gelieve kinderen uit de buurt te houden wanneer u het product openvouwt om letsels te vermijden;
4. Deze hoge kinderstoel is bestemd voor kinderen die zelfstandig rechtop kunnen zitten tot 3 jaar of met een gewicht van max. 15 kg.



Kinderstoel 3Y - 14Y/60kg

Onze producten werden zorgvuldig ontworpen en getest om de veiligheid en het comfort van uw baby te garanderen. EN 17191: 2021 Zitplaatsen voor kinderen.

WAARSCHUWING:

- Laat nooit uw kind alleen zonder toezicht.
- Product NIET in de buurt van



NL

een raam plaatsen. Het kind kan het product als opstapje gebruiken en daardoor uit het raam vallen.

- Let op met open haarden en andere warmtebronnen in de buurt van het product.
- Product NIET in de buurt van een raam plaatsen waarbij het kind het risico loopt om vast te komen zitten in koorden van jaloezieën of gordijnen.

Bijkomende informatie

1. Dit zitje is bedoeld voor kinderen onder de 7 jaar die zonder hulp kunnen lopen en zitten.
2. Alle montagefittingen moeten altijd goed worden vastgedraaid
3. Gebruik de zitting niet als een onderdeel gebroken, gescheurd of ontbreekt en gebruik alleen reserveonderdelen die zijn goedgekeurd door de fabrikant
4. Het beveiligingssysteem moet worden

verwijderd / verborgen / afgedekt (indien van toepassing) wanneer het product als zitplaats wordt gebruikt.



Stoel voor volwassenen 14Y+ / 110kg

Onze producten zijn zorgvuldig ontworpen en getest om veiligheid en comfort te garanderen. EN12520:2016.



Tips voor het onderhoud van het product

- Het product dient aan de voorschriften blijven voldoen om tevredenstellend te zijn. We raden u aan de mechanische onderdelen om de veertien dagen te controleren en indien nodig te reinigen.
- Forceer het product niet wanneer u het open- of dichtvouwt. Reinig het product. Contacteer uw leverancier wanneer de problemen aanhouden.
- Onderhoud: Gebruik een spons en zachte zeep. Gebruik geen detergents.

Maxi-Cosi | Nesta | 75



NL

- Raadpleeg het label voor het wassen van de bekleding.

Milieu

Wanneer je het product niet meer gebruikt, verzoeken wij je uit milieuoverwegingen het product gescheiden bij het afval te plaatsen, conform de lokale wetgeving.

Vragen

Neem contact op met de winkel waar je het product hebt gekocht of bezoek onze website. Zorg dat je de volgende informatie bij de hand hebt:

- Serienummer
- De leeftijd (de lengte) en het gewicht van je kind.

Garantie

Wij geven 24 maanden garantie. Dit geeft ons vertrouwen weer in de hoogwaardige kwaliteit van het ontwerp, de techniek, het product en de productprestaties. Wij garanderen dat dit product vervaardigd is overeenkomstig de actuele Europese veiligheidsvoorschriften en kwaliteitsnormen die op dit product van toepassing zijn, en dat

dit product op het moment van aanschaf vrij is van materiaal- en constructiefouten. Onder de hierin vermelde voorwaarden kan deze garantie worden ingeroepen door de eerste eindgebruiker in de landen waar dit product verkocht wordt door een dochterfirma van de Dorel Group of door een erkende dealer of erkende detailhandelaar.

Onze garantie van 24 maanden omvat gebreken met betrekking tot de gebruikte materialen en de constructie bij gebruik onder normale omstandigheden en overeenkomstig onze handleiding voor een periode van 24 maanden vanaf de datum van de oorspronkelijke aankoop door de eerste eindgebruiker. Voor een reparatieverzoek of een verzoek om reserveonderdelen uit hoofde van deze garantie dien je een aankoopbewijs te overleggen dat binnen 24 maanden voorafgaand aan het serviceverzoek dient te zijn afgegeven.

Onze garantie van 24 maanden geldt niet voor gebreken die veroorzaakt worden door normale slijtage, schade veroorzaakt door



ongevallen, verkeerd gebruik, nalatigheid, brand, contact met vloeistoffen of andere externe oorzaken, schade die het gevolg is van het niet naleven van de handleiding, schade veroorzaakt door gebruik in combinatie met een ander product, schade die veroorzaakt wordt door onderhoud uitgevoerd door iemand die niet door ons is goedgekeurd, of wanneer het product is gestolen of wanneer een label of identificatienummer van het product werd verwijderd of gewijzigd. Voorbeelden van normale slijtage zijn versleten wielen en slijtage van textiel door regelmatig gebruik en de natuurlijke verbleking van kleuren en materialen door de normale veroudering van het product.

Wat je kunt doen ingeval van gebreken:

Mocht zich een probleem of gebrek voordoen, dan is de door ons erkende dealer of detailhandelaar je eerste aanspreekpunt. Onze garantie van 24 maanden wordt door hen erkend⁽¹⁾. Je dient een aankoopbewijs te overleggen dat binnen 24 maanden voorafgaand aan het verzoek dient te zijn afgegeven. Het is het eenvoudigst wanneer

je je serviceverzoek vooraf door ons laat goedkeuren. Wanneer je een claim indient die geldig is onder deze garantie, is het mogelijk dat we je vragen je product terug te sturen naar de door ons erkende dealer of detailhandelaar of het product naar ons op te sturen in overeenstemming met onze instructies. Wij zullen de kosten voor de verzending en terugzending betalen indien alle instructies nageleefd worden. Schade en/of gebreken die niet gedekt worden door onze garantie noch door de wettelijke rechten van de consument en/of schade en/of defecten met betrekking tot het product die niet gedekt worden door onze garantie kunnen behandeld worden tegen betaling van een redelijke vergoeding.

Consumentenrechten:

Een consument heeft wettelijke rechten in overeenstemming met de van toepassing zijnde consumentenwetgeving, die van land tot land kan verschillen. De rechten van de consument onder de van toepassing zijnde nationale wetgeving worden door deze garantie niet aangetast.



Deze garantie wordt verstrekt door Dorel Nederland. We zijn geregistreerd onder bedrijfsnummer 17060920. Ons bedrijfsadres is Korendijk 5, 5707 RD Helmond, Nederland, en ons postadres is Postbus 6071, 5700 ET Helmond, Nederland.

De namen en de adressen van andere bedrijven van de Dorel Group kunnen teruggevonden worden op de laatste pagina van deze handleiding en op onze website voor het betreffende merk.

(1) Producten die gekocht zijn van wederverkopers of leveranciers die het etiket of het identificatienummer hebben gewijzigd of verwijderd, worden als niet-toegelaten producten beschouwd. Producten die gekocht zijn van niet erkende wederverkoper worden ook als niet-toegelaten producten beschouwd. Op de desbetreffende producten is geen garantie van toepassing, aangezien de echtheid van die producten niet kan worden vastgesteld.



ES

SEGURIDAD



Gandulita 0M - 6M/9kg

Nuestros productos han sido cuidadosamente concebidos y probados para garantizar la seguridad y comodidad de tu bebé. EN 12790:2009.

ADVERTENCIA:

- No dejar nunca al niño desatendido.
- Es muy peligroso poner la gandulita en una superficie alta, como una mesa.
 - No utilizar nunca el arco de juegos para transportar la hamaca.
 - No utilizar la gandulita a partir de que el bebé se mantiene sentado por sí solo.

- Esta gandulita no está pensada para que el bebé duerma en ella durante largos periodos de tiempo.
- Utilizar siempre el sistema de retención.
- Esta gandulita no reemplaza un moisés o una cuna.

Información adicional

1. Esta gandulita se ha concebido para niños a partir de 0 meses y hasta 9 kg.
2. Cuando el bebé necesita dormir, es conveniente que lo haga en un moisés o cuna apropiada.
3. Antes de utilizar este producto de puericultura, verifique que los mecanismos de bloqueo estén bien cerrados y correctamente ajustados.
4. Utilizar únicamente accesorios o piezas de recambio vendidos o aprobados por el fabricante. La utilización de otros accesorios puede ser peligrosa.



ES



Silla alta para niños 6M - 36M/15kg

Nuestros productos han sido cuidadosamente concebidos y probados para garantizar la seguridad y comodidad de tu bebé. EN14988:2017+A1:2020. - Sillas altas infantiles.

ADVERTENCIA:

- No dejar nunca al niño desatendido.
- Usar siempre el sistema de retención.
- Riesgo de caída: evita que el niño trepe por la silla.
- No utilices el producto hasta que sus componentes estén correctamente fijados y ajustados.
- Evita riesgos y no coloques este producto cerca de una chimenea u otra fuente de calor

importante.

- Ten en cuenta el riesgo de basculación que existe en caso de que el niño apoye los pies contra una mesa u otra estructura.

Información adicional

1. No utilices el producto hasta que el niño pueda sentarse solo;
2. No utilices el producto en caso de que alguna de sus piezas esté rota, doblada o ausente;
3. Mantén al niño alejado cuando pliegues o despliegues el producto para evitar riesgos de lesiones;
4. Esta silla alta está concebida para niños que puedan sentarse solos y hasta 3 años de edad o un peso máximo de 15 kg.



Silla para niños 3Y - 14Y/60kg

Nuestros productos han sido cuidadosamente concebidos y probados para



ES

garantizar la seguridad y comodidad de tu bebé. EN 17191: 2021 Asientos para niños .

ADVERTENCIA:

- No dejar nunca al niño desatendido.
- NO coloque este producto cerca de una ventana, ya que el niño puede utilizarlo como escalón y caer por la ventana.
- Tenga en cuenta el riesgo de fuegos abiertos y otras fuentes de calor intenso en las proximidades del producto.
- NO coloque este producto cerca de una ventana donde los cordones de las persianas o cortinas puedan estrangular a un niño.

Información adicional

1. Este asiento está diseñado para niños menores de 7 años capaces de caminar y sentarse sin ayuda.

2. Todos los accesorios de montaje deben apretarse correctamente.
3. No use el asiento si alguna pieza está rota, rasgada o falta y use solo repuestos aprobados por el fabricante.
4. El sistema de sujeción se quitará / ocultará / cubrirá (según corresponda) cuando el producto se utilice como asiento.



Silla para adultos
14Y+ / 110kg

Nuestros productos han sido cuidadosamente diseñados y probados para garantizar la seguridad y la comodidad. EN12520:2016.



Recomendación de mantenimiento del producto

- El producto debe someterse a un mantenimiento periódico para garantizar su correcto funcionamiento. Te aconsejamos que compruebes y limpies si es preciso las piezas mecánicas cada dos semanas.



ES

• No lo fuerces en caso de que te resulte difícil plegarlo o desplegarlo. Limpia el producto.

Si la dificultad persiste, ponte en contacto con tu proveedor.

- Cuidados: Utiliza una esponja y jabón suave. No utilices detergente.
- Para lavar la funda, consulta la etiqueta de instrucciones.

Medio ambiente

Cuando decida desechar el producto, le rogamos que, en interés del medioambiente, separe los residuos de conformidad con la legislación local en la materia.

Preguntas

Póngase en contacto con su punto de venta o visite nuestra página web.

Recuerde tener a mano la siguiente información:

- Número de serie
- Edad (altura) y peso de su hijo.

Garantía

Nuestra garantía de 24 meses es reflejo de la confianza que depositamos en la

extraordinaria calidad de nuestro diseño, ingeniería, producción y en el rendimiento del producto. Garantizamos que este producto ha sido fabricado de acuerdo con las normas de seguridad y calidad europeas en vigor aplicables a este producto y que está libre de defectos en el momento de la compra. La presente garantía será aplicable, de acuerdo con las condiciones aquí establecidas, en aquellos países en los que el grupo Dorel, o cualquier distribuidor o establecimiento autorizado, venda este producto.

Nuestra garantía de 24 meses cubre cualquier defecto de fabricación en cuanto a materiales y mano de obra, cuando se utiliza en condiciones normales, y de acuerdo con el manual de usuario, durante 24 meses a partir de la fecha de su adquisición por parte del primer usuario final. Para solicitar una reparación o piezas de repuesto en garantía, por defectos de fabricación, deberá presentar el comprobante de la compra (original o fotocopia) realizada en los 24 meses anteriores a la solicitud del servicio.



Nuestra garantía de 24 meses no cubre los daños causados por el uso y desgaste normales, daños provocados por accidentes, uso abusivo, negligencia, incendio, contacto con líquidos o cualquier otra causa externa, daños debidos a un uso distinto al establecido en el manual de usuario, daños producidos por el uso con otro producto, daños producidos por las reparaciones realizadas por otros servicios no autorizados, en caso de robo del producto o si se ha modificado o eliminado alguna etiqueta o número de identificación del producto. Pueden ser ejemplos de uso y desgaste normales, el desgaste de las ruedas y del tejido por el uso habitual y la descomposición natural de los colores y los materiales debido al uso prolongado del producto y al paso del tiempo.

¿Qué hacer en caso de defectos?

Si surgen problemas o defectos, su mejor opción para obtener un servicio rápido es visitar al distribuidor o establecimiento autorizado que acepta nuestra garantía de 24 meses⁽¹⁾. Para ello, deberá presentar el comprobante de la compra realizada

en los 24 meses anteriores a la solicitud del servicio. Lo más sencillo es que nos solicite directamente la aprobación previa del servicio. Si presenta una reclamación conforme a lo establecido en la presente garantía, le pediremos que devuelva el producto al distribuidor o establecimiento autorizado o que nos haga llegar el producto de acuerdo con nuestras instrucciones. Si se llevan a cabo todos los pasos indicados, no tendrá que abonar ningún gasto de envío ni de devolución del producto. Los daños y/o defectos que no estén cubiertos por la garantía, ni por los derechos legales del consumidor, y/o los daños o defectos en productos que no estén cubiertos por nuestra garantía se podrán solucionar a una tarifa razonable.

Derechos del consumidor:

El consumidor dispone de los derechos aplicables de acuerdo con la legislación vigente, que pueden diferir de un país a otro. Los derechos que posea el consumidor según la legislación nacional aplicable no se verán afectados por la presente garantía.



Esta garantía ha sido remitida por Dorel Netherlands, empresa inscrita en los Países Bajos con el número de registro 17060920. La sede social se encuentra en Korendijk 5, 5704 RD Helmond, Países Bajos, y la dirección postal es: P.O. Box 6071, 5700 ET Helmond, Países Bajos.

En la última página del presente manual, así como en el sitio web de la marca, se indican los nombres y direcciones de otras filiales del grupo Dorel.

(1) Los productos adquiridos en tiendas o distribuidores que eliminen o modifiquen las etiquetas o números de identificación, se considerarán no autorizados. No se aplicará garantía alguna a estos productos ya que no se podrá comprobar su autenticidad.



IT

SICUREZZA



Sdraietta 0M - 6M/9kg

I nostri prodotti sono stati ideati e collaudati con cura, per la sicurezza e il comfort del vostro bambino. EN 12790:2009.

ATTENZIONE:

- Non lasciare mai il bambino incustodito.
- È pericoloso posizionare la sdraietta su una superficie rialzata: per esempio, un tavolo.
- Non utilizzare mai l'arco ludico per trasportare la sdraietta.
- Non utilizzare questa sdraietta quando il bambino è in grado di stare seduto da solo.
- Non è consigliato utilizzare la sdraietta per lunghi periodi di sonno.

- Utilizzare sempre il sistema di ritenuta.
- Questa sdraietta non sostituisce una culla o un lettino.

Informazioni aggiuntive

1. La presente sdraietta è ideata per bambini da 0 mesi e fino a 9 kg.
2. Quando il bambino deve dormire, è consigliabile sistemarlo in un'apposita culla o lettino.
3. Non utilizzare l'articolo in presenza di elementi rotti o mancanti.
4. Utilizzare esclusivamente accessori o pezzi di ricambio venduti o approvati dal produttore. L'utilizzo di altri accessori potrebbe rivelarsi pericoloso.



Seggiolone per bambini 6M - 36M/15kg

I nostri prodotti sono stati ideati e collaudati con cura, per la sicurezza e il comfort del vostro bambino. EN14988:2017+A1:2020. - Seggiolone per bambini.



ATTENZIONE:

- Non lasciare mai il bambino incustodito.
- Utilizzare sempre la cintura di sicurezza.
- Rischio di caduta: impedire al bambino di arrampicarsi sul prodotto.
- Non utilizzare il prodotto se tutti gli elementi non sono montati e regolati correttamente.
- Non posizionare il prodotto nelle vicinanze di un camino o di una fonte di forte calore per evitare rischi di bruciature.
- Rischio di ribaltamento se il bambino ha la possibilità di spingere i piedi contro il tavolo o un altro oggetto.

Informazioni aggiuntive

1. Non utilizzare il prodotto fino a che il bambino non è in grado di stare seduto da solo.
2. Non utilizzare il prodotto se alcuni componenti sono rotti, deformati o mancanti.
3. Si raccomanda di tenere lontano il bambino durante l'apertura e la chiusura del prodotto, per evitare ogni rischio di ferita.
4. Questo seggiolone è ideato e sviluppato per bambini in grado di stare seduti da soli e fino a 3 anni o un peso massimo di 15 kg.



Rialzo sedia 6M - 36M/15kg

I nostri prodotti sono stati ideati e collaudati con cura, per la sicurezza e il comfort del vostro bambino. EN 16120:2012+A2:2016 - Dicembre 2016 - Rialzo sedia.

ATTENZIONE:

- Non lasciare mai il bambino incustodito.
- Utilizzare sempre il sistema di



IT

ritenuta e assicurarsi che esso sia regolato correttamente.

- Utilizzare sempre il sistema di fissaggio alla sedia e assicurarsi che esso sia regolato correttamente prima dell'uso.
- Verificare sempre la sicurezza e la stabilità del prodotto sulla sedia per adulti prima dell'utilizzo.
- Non utilizzare il prodotto su sgabelli o panchine.

Informazioni aggiuntive

1. Questo prodotto è destinato a bambini in grado di sedere senza aiuto (minimo 6 mesi) e fino a 36 mesi o un peso massimo di 15 kg.
2. Assicurarsi sempre che la sedia e il suo rialzo siano situati in una posizione tale che il bambino non sia in grado di utilizzare i piedi per spingere sul tavolo o su un'altra struttura, poiché questo potrebbe causare il ribaltamento della sedia e del rialzo.
3. Non utilizzare il rialzo sedia se uno dei pezzi è rotto, deformato o mancante.

4. Utilizzare esclusivamente accessori o pezzi di ricambio venduti o approvati dal produttore. L'utilizzo di altri accessori potrebbe rivelarsi pericoloso.



Sedia per bambini 3Y - 14Y/60kg

I nostri prodotti sono stati ideati e collaudati con cura, per la sicurezza e il comfort del vostro bambino. EN 17191: 2021 Posti a sedere per bambini.

ATTENZIONE:

- Non lasciare mai il bambino incustodito.
- NON posizionare questo prodotto accanto a una finestra, in quanto potrebbe essere utilizzato come gradino da eventuali bambini, con il conseguente pericolo di caduta dalla finestra stessa.



IT

- Tenere a mente il possibile rischio costituito da fiamme libere e altre fonti di calore intenso in prossimità del prodotto.
- NON posizionare questo prodotto vicino a finestre dove le corde di eventuali scuri o tende potrebbero costituire un pericolo di strangolamento per i bambini.

Informazioni aggiuntive

1. Questa sedia è destinata ai bambini in grado di camminare e sedersi senza aiuto sotto i 7 anni.
2. Tutti i raccordi di assemblaggio devono essere sempre serrati correttamente
3. Non utilizzare la sede se qualche parte è rotta, strappata o mancante e utilizzare solo pezzi di ricambio approvati dal produttore
4. Il sistema di ritenuta deve essere rimosso / nascosto / coperto (se applicabile) quando il prodotto viene utilizzato come seduta.



Sedia per adulti 14Y+ / 110kg

I nostri prodotti sono stati accuratamente progettati e testati per garantire sicurezza e comfort. EN12520:2016.



Consigli per la cura del prodotto

- Per una completa soddisfazione il prodotto deve essere oggetto di una regolare manutenzione. Vi consigliamo di controllare e pulire se necessario le parti meccaniche ogni 15 giorni.
- Se compaiono difficoltà nel ripiegare o nell'aprire, non forzate mai, ma pulite il prodotto. Se le difficoltà persistono, contattate il rivenditore.
- Manutenzione: Utilizzate una spugna e un sapone delicato. Non utilizzate detergenti.
- Per il lavaggio del tessuto, consultate l'etichetta di istruzioni situata sul tessuto stesso.



IT

Ambiente

Quando smetterete di utilizzare il prodotto, vi preghiamo per la tutela dell'ambiente di smaltire il prodotto in modo differenziato e nel rispetto della normativa locale in materia.

Domande

Siete pregati di contattare il punto vendita autorizzato o di visitare il nostro sito web. Assicuratevi di avere a portata di mano le seguenti informazioni:

- Numero di serie
- Et  (altezza) e peso del vostro bambino.

Garanzia

La garanzia della durata di 24 mesi che applichiamo ai nostri prodotti riflette la fiducia che riponiamo nella qualit  eccezionale del nostro design, della nostra progettazione e produzione, nonch  delle prestazioni. Garantiamo che questo prodotto   stato fabbricato in conformit  con gli attuali requisiti europei in materia di sicurezza e con gli standard di qualit  applicabili a questo prodotto, e altres  che

quest'ultimo   scevro da difetti legati alla manodopera o ai materiali impiegati al momento dell'acquisto. Alle condizioni qui menzionate, il cliente pu  ricorrere alla presente garanzia nei Paesi in cui il presente prodotto sia stato venduto da una controllata del gruppo Dorel o da un rivenditore o concessionario autorizzato.

La nostra garanzia della durata di 24 mesi copre eventuali difetti dei materiali e di fabbricazione se il prodotto viene utilizzato in condizioni regolari ed in conformit  con il nostro manuale d'istruzioni, per un periodo di 24 mesi dalla data dell'acquisto al dettaglio originale dal primo cliente utente finale. Per richiedere riparazioni o parti di ricambio in garanzia per i suddetti difetti,   necessario presentare la prova d'acquisto (che deve essere stato effettuato entro e non oltre i 24 mesi precedenti alla richiesta di assistenza).

La garanzia non copre invece difetti causati da normale usura, danni causati da incidenti, utilizzo non corretto, negligenza, incendi, contatto con liquidi o altra causa esterna, danni derivanti dal mancato rispetto



del manuale d'istruzioni, danni causati dall'utilizzo con un altro prodotto, danni causati da manutenzione da parte di persone da noi non autorizzate; la garanzia non vale altresì in caso di furto del prodotto o rimozione dal prodotto stesso o modifica di qualsiasi targhetta o numero identificativo. Esempi di normale usura includono parti quali: ruote e tessuti usurati da un utilizzo regolare del prodotto, nonché il naturale deterioramento dei colori e dei materiali in seguito al normale invecchiamento del prodotto.

Cosa fare in caso di difetti:

Qualora si verificano problemi o difetti, la scelta migliore per un servizio rapido è rivolgersi al rivenditore autorizzato o dettagliante riconosciuto. La nostra garanzia di 24 mesi è riconosciuta dai rivenditori⁽¹⁾. È necessario presentare la prova d'acquisto (che deve essere stato effettuato entro e non oltre i 24 mesi precedenti alla richiesta di assistenza). L'operazione è resa più semplice richiedendo prima l'approvazione da parte nostra. Se si presenta una richiesta valida

ai sensi della presente garanzia, potremo richiedere al cliente di restituire il prodotto al rivenditore autorizzato o dettagliante riconosciuto o di spedire il prodotto presso di noi secondo le nostre istruzioni. Le relative spese di spedizione e reso sono a nostro carico, se vengono seguite tutte le istruzioni. I danni e/o difetti non coperti dalla nostra garanzia né dai diritti legali dei consumatori e/o i danni e/o difetti in relazione a prodotti non coperti dalla nostra garanzia possono tuttavia essere gestiti secondo prezzi ragionevoli.

Diritti del consumatore:

Il consumatore gode di diritti legali secondo la legislazione applicabile al consumatore stesso, che può variare secondo il Paese. I diritti del consumatore ai sensi della legislazione nazionale vigente non sono inficiati dalla presente garanzia.

La presente garanzia è offerta da Dorel Netherlands. Siamo iscritti al registro delle imprese nei Paesi Bassi con numero di registrazione 17060920. La nostra sede



legale è Korendijk 5, 5704 RD Helmond, Paesi Bassi, e il nostro recapito postale è P.O. Box 6071, 5700 ET Helmond, Paesi Bassi.

Dettagli di nomi e indirizzi di altre sussidiarie del gruppo Dorel si trovano sull'ultima pagina del presente manuale e sul nostro sito web per il marchio in questione.

(1) I prodotti acquistati presso rivenditori che rimuovono o modificano le etichette o i numeri di identificazione sono considerati non autorizzati. Prodotti acquistati presso rivenditori non autorizzati sono considerati essi stessi non autorizzati. Nessuna garanzia si applica a questi prodotti, in quanto l'autenticità di questi prodotti non può essere accertata.





PT

SEGURANÇA



Cadeira de balanço 0M - 6M/9kg

Os nossos produtos foram cuidadosamente concebidos e testados para garantir a segurança e o conforto do seu bebé.
EN 12790:2009.

AVISOS:

- Nunca deixe a criança abandonada.
- É perigoso pousar a espreguiçadeira numa superfície alta, por exemplo, uma mesa.
- Não utilizar o arco de jogos para transportar a espreguiçadeira.
- Não utilizar a espreguiçadeira a partir do momento em que o bebé já se senta sozinho.
- A espreguiçadeira não é indicada para os períodos de sono.

- Utilizar sempre o sistema de retenção.
- A espreguiçadeira não substitui a alfofa ou a cama.

Informações adicionais

1. Esta cadeira de balanço destina-se a crianças a partir dos 0 meses e até aos 9 kg.
2. Se o bebé tiver vontade de dormir, deverá colocá-lo numa alfofa ou cama apropriadas.
3. Não utilizar o artigo de puericultura se um dos elementos estiver em falta ou danificado.
4. Utilizar somente acessórios ou peças de substituição vendidos ou aprovados pelo fabricante. A utilização de outros acessórios pode tornar-se perigosa.



Cadeira alta 6M - 36M/15kg

Os nossos produtos foram cuidadosamente concebidos e testados para garantir a segurança e o conforto do seu bebé.
EN14988:2017+A1:2020. – Cadeiras altas para crianças.



PT

AVISOS:

- Nunca deixe a criança abandonada.
- Utilize o cinto de segurança sempre que o seu fi lho.
- Risco de queda: Evite que a criança suba para o produto.
- Não use o produto a não ser que todos os componentes estejam corretamente instalados e ajustados.
- Tenha cuidado com o risco de lareiras e outras fontes de calor forte na proximidade do produto.
- Tenha cuidado com o risco de inclinação quando a criança empurra os pés contra uma mesa ou outra estrutura.

Informações adicionais

1. Não utilize o produto até que a criança

consiga sentar-se sem ajuda;

2. Não utilize o produto se alguma peça estiver partida, rompida ou em falta;
3. Mantenha a criança afastada quando abre e fecha o produto para evitar lesões;
4. Esta cadeira alta destina-se a crianças capazes de sentar-se sem ajuda e até aos 3 anos ou com um peso máximo de 15 kg.



Banco para criança 3Y - 14Y/60kg

Os nossos produtos foram cuidadosamente concebidos e testados para garantir a segurança e o conforto do seu bebé.

EN 17191: 2021 Assentos para crianças.

AVISOS:

- Nunca deixe a criança abandonada.
- **NÃO** ponha este produto perto de uma janela, pois pode ser utilizado como um degrau pela



PT

criança e fazer com que a criança caia da janela.

- Esteja consciente do risco de chamas não protegidas e outras fontes de calor forte nas proximidades do produto.
- NÃO ponha este produto perto de uma janela onde os cordões de estores ou cortinas possam estrangular uma criança.

Informações adicionais

1. Este assento destina-se a crianças capazes de andar e sentar-se sem ajuda com menos de 7 anos de idade.
2. Todos os acessórios de montagem devem ser sempre apertados corretamente
3. Não use o assento se alguma parte estiver quebrada, rasgada ou faltando e use apenas peças de reposição aprovadas pelo fabricante
4. O sistema de retenção deve ser removido / escondido / coberto (conforme aplicável) quando o produto for usado como assento.



Cadeira de adulto 14Y+ / 110kg

Nossos produtos foram cuidadosamente projetados e testados para garantir segurança e conforto. EN12520:2016.



Conselhos de manutenção do produto

- O produto deve ser sujeito a manutenção regular para fornecer satisfação total. Aconselhamos a verificar e, se necessário, a limpar as peças mecânicas a cada duas semanas.
- Não force se for difícil fechar ou abrir. Limpe o produto. Se a dificuldade persistir, contacte o seu fornecedor.
- Cuidados: Utilize uma esponja e sabão suave. Não utilize detergente.
- Para lavar o tecido, consulte a etiqueta de instruções.



Ambiente

Quando deixar de usar o produto, solicitamos, por razões ambientais, que elimine o seu produto fazendo a triagem e cumprindo com a legislação local nesta matéria.

Domande

Contacte o seu distribuidor local ou visite o nosso website. Tenha consigo as seguintes informações:

- Número de série
- A idade (o tamanho) e o peso do bebé.

Garantia

A nossa garantia de 24 meses reflete a nossa confiança na qualidade do nosso design, engenharia e produção, bem como no desempenho do produto. Garantimos que este produto foi fabricado de acordo com as normas de qualidade e os requisitos de segurança europeia atualmente em vigor para este produto, e que, à data da compra, o produto se encontra isento de defeitos de fabrico ou de materiais. Sob as condições aqui mencionadas, esta garantia pode ser

invocada pelos consumidores nos países onde este produto foi vendido, por uma filial do Grupo Dorel, por um distribuidor ou revendedor autorizado.

A nossa garantia de 24 meses abrange defeitos de fabrico e de materiais, quando o produto é utilizado em condições normais e em conformidade com as indicações constantes do manual do utilizador por um período de 24 meses a partir da data da compra inicial no revendedor pelo primeiro consumidor/utilizador. De modo a solicitar as reparações ou peças sobresselentes ao abrigo da garantia a título de defeitos de material e de fabrico, o consumidor deverá apresentar o comprovativo da aquisição efetuada (talão de compra) durante os 24 meses que antecedem a requisição do serviço.

A nossa garantia de 24 meses não se aplica a defeitos causados pelo desgaste normal, danos causados por acidentes, utilização abusiva, negligência, incêndio, contacto com líquidos ou outras causas externas, danos que sejam consequência



PT

do incumprimento do manual do utilizador, danos causados pela utilização com outro produto, danos causados por reparações feitas por alguém não autorizado, em caso de furto ou caso alguma etiqueta ou número de identificação tenha sido removido/alterado do produto. Exemplos de uso e desgaste normais são rodas e tecidos deteriorados em consequência de uma utilização regular e da natural degradação dos materiais e das cores devido ao desgaste normal do produto.

Como proceder caso verifique a existência de defeitos:

Na eventualidade de surgirem quaisquer problemas ou defeitos, a melhor opção para obter um serviço rápido será dirigir-se ao revendedor autorizado ou ao revendedor por nós reconhecido que reconhece a nossa Garantia de 24 meses⁽¹⁾. Deverá apresentar o comprovativo da aquisição efetuada (talão de compra) no período de 24 meses que antecede a data de requisição do serviço. Será mais fácil se obtiver a pré-aprovação da sua

requisição de serviço pelo Departamento de Manutenção [da marca]. Se apresentar uma reclamação válida no âmbito desta garantia, poderemos solicitar que devolva o produto ao revendedor autorizado ou revendedor por nós reconhecido ou que nos envie o produto de acordo com as nossas instruções. Pagaremos os custos do envio e de devolução se todas as instruções forem cumpridas. Os danos que não são cobertos pela garantia poderão ser reparados mediante o pagamento de tarifas razoáveis. Os danos e/ou defeitos não cobertos pela nossa garantia nem pelos direitos legais do consumidor e/ou os danos e/ou defeitos em relação aos produtos que não são cobertos pela nossa garantia podem ser reparados a um preço razoável.

Direitos do consumidor:

Um consumidor possui direitos legais nos termos da legislação de proteção do consumidor aplicável, que pode variar de país para país. Os direitos do consumidor nos termos da legislação nacional aplicável não são afetados por esta garantia.



Esta garantia foi emitida pela Dorel Netherlands, empresa inscrita nos Países Baixos com o nr de registo 17060920. A Sede Social encontra-se em Korendijk 5, 5704 RD Helmond, Países Baixos e a direção postal é: P.O Box 6071, 5700 ET Helmond, Países Baixos.

Na ultima página do presente manual, assim como no website da marca, encontra o nome e direções das outras filiais do grupo Dorel.

(1) Não são autorizados para esse efeito, os produtos adquiridos em revendedores que retirem ou alterem as etiquetas e/ou os números de identificação. Uma vez que não é possível averiguar a autenticidade destes produtos, não lhes será aplicável qualquer garantia.



SV

SÄKERHET



Bakåtvänt babyskydd 0M - 6M/9kg

Våra produkter har formgivits och testats med omsorg för att garantera ditt barns säkerhet och komfort. EN 12790:2009.

WARNING:

- Lämna aldrig barnet utan uppsikt.
- Så fort barnet kan sitta utan hjälp ska det bakåtvända babyskyddet inte användas längre.
- Detta bakåtvända babyskydd är inte avsett för längre sovstunder.
- Det är farligt att använda det bakåtvända babyskyddet på upphöjda ytor, t.ex. ett bord.
- Använd alltid bältssystemet.
- Använd aldrig leksaksstången för att bära det bakåtvända

babyskyddet.

Ytterligare information

1. Det bakåtvända babyskyddet är avsett för barn från 0 månader och upp till 9 kg.
2. Detta bakåtvända babyskydd ersätter inte en babylift eller en säng. Om barnet behöver sova ska det läggas i en lämplig babylift eller säng.
3. Använd inte det bakåtvända babyskyddet om några delar är sönder eller saknas.
4. Använd inte tillbehör eller reservdelar utöver dem som har godkänts av tillverkaren eller återförsäljaren. Det kan vara farligt att använda andra tillbehör.



Barnstol 6M - 36M/15kg

Våra produkter har formgivits och testats med omsorg för att garantera ditt barns säkerhet och komfort. EN14988:2017+A1:2020. – barnstolar.

WARNING:

- Lämna aldrig barnet utan uppsikt.
- Använd alltid bältssystemet.



SV

- Fallrisk: Hindra barnet från att klättra på produkten.
- Använd inte produkten om inte alla delar är korrekt monterade och justerade.
- Var medveten om risken för öppen eld och andra kraftiga värmekällor i närheten av produkten.
- Var medveten om risken för att produkten kan tippa när barnet trycker fötterna mot ett bord eller någon annan struktur.

Ytterligare information

1. Använd inte produkten förrän barnet kan sitta upp utan hjälp.
2. Använd inte produkten om någon del är trasig, sönder eller saknas.
3. Se till att barnen inte är i närheten när du fäller ut och fäller ihop produkten för att undvika skador.

4. Barnstolen är avsedd för barn som kan sitta upp utan hjälp och upp till 3 år eller en maxvikt på 15 kg.



Stol för barn 3Y - 14Y/60kg

Våra produkter har formgivits och testats med omsorg för att garantera ditt barns säkerhet och komfort. EN 17191: 2021
Sittplatser för barn.

WARNING:

- Lämna aldrig barnet utan uppsikt.
- Placera INTE den här produkten nära ett fönster eftersom ett barn skulle kunna använda den som ett trappsteg och ramla ut ur fönstret.
- Observera brandrisken eller andra kraftfulla värmekällor i närheten av produkten.
- Placera INTE den här produkten



SV

nära ett fönster eftersom ett barn kan strypas på grund av snören från rullgardiner eller gardiner.

Ytterligare information

1. Denna sittplats är avsedd för barn som kan gå och sitta utan hjälp under 7 år.
2. Alla monteringsbeslag ska alltid dras åt ordentligt
3. Använd inte sittplatsen om någon del är trasig, sönderriven eller saknas och använd endast reservdelar som godkänts av tillverkaren
4. Fasthållningssystemet ska tas bort / döljas / täckas (i tillämpliga fall) när produkten används som sittplats.



Vuxen stol 14Y+ / 110kg

Våra produkter har noggrant designats och testats för att säkerställa säkerhet och komfort. EN12520:2016.



Skötselråd för produkten

- Produkten måste underhållas regelbundet för att ge full belätnhet. Vi rekommenderar att du kontrollerar och vid behov rengör de mekaniska delarna var fjortonde dag.
- Tvinga inte om det blir svårt att fälla upp eller ihop stolen. Rengör produkten. Om svårigheterna kvarstår, kontakta leverantören.
- Underhåll: Använd en svamp och en mild tvåål. Använd inte rengöringsmedel.
- Se tvättråden på etiketten för rengöring av textildelen.

Miljö

Ta hänsyn till miljön. Vi uppmanar dig att kassera produkten på en lämplig återvinningsstation enligt lokal lagstiftning när du ska sluta använda den.

Frågor

Kontakta din lokala leverantör eller besök vår webbplats. När du gör det, ha följande information till hands:





- Serienummer
- Barnets ålder (längd) och vikt

Garanti

Vår 24 månaders garanti speglar vårt förtroende för den suveräna kvaliteten på vår design, teknik, produktion och produktprestanda. Vi garanterar att denna produkt har tillverkats i enlighet med aktuella europeiska säkerhetsnormer och kvalitetskrav som gäller för denna produkt, samt att produkten är fri från fel i material och utförande vid tidpunkten för köpet. Under de omständigheter som nämns här kan denna garanti återopas av konsumenterna i de länder där denna produkt har sålts av ett dotterbolag till Dorel-koncernen eller av en auktoriserad återförsäljare eller handlare.

Vår 24 månaders garanti täcker eventuella tillverkningsfel i material och utförande vid användning under normala förhållanden och i enlighet med vår bruksanvisning under en period på 24 månader, från datumet för det ursprungliga inköpet av den första slutkunden. För att begära reparation eller reservdelar inom garantitiden för fel i material och

utförande måste du presentera inköpsbevis för köpet, vilket ska ha skett inom de 24 månader som föregår begäran om service.

Vår 24 månaders garanti täcker inte skador som orsakats av normalt slitage, olyckor, felaktig användning, vårdslöshet, brand, kontakt med vätskor eller andra yttre faktorer, som en följd av underlåtenhet att följa bruksanvisningen, skador till följd av användning tillsammans med en annan produkt, skador till följd av att service utförts av personer som inte är auktoriserade av oss, om produkten blir stulen eller om någon etikett eller något identifikationsnummer har avlägsnats från produkten eller ändrats. Exempel på normalt slitage innefattar hjul och tyg som slits genom regelbunden användning samt naturlig blekning och slitage av färger och material på grund av normal förlitning av produkten.

Detta ska du göra i händelse av fel:

Om problem eller skador uppstår är det bästa alternativet för snabb service att besöka närmaste av oss auktoriserade återförsäljare eller handlare. Vår 24 månaders garanti



SV

erkänns av dem⁽¹⁾. Du måste visa upp bevis på inköp, där inköpet ska ha skett inom de 24 månader som föregår begäran om service. Det är enklast om du får din begäran om service godkänd i förväg av oss. Om du skickar in en giltig reklamation enligt denna garanti kan vi begära att du återlämnar produkten till den av oss auktoriserade återförsäljaren eller handlaren eller att du skickar produkten till oss enligt våra anvisningar. Vi betalar för transport och returfrakt om alla anvisningar följs. Skador och/eller defekter som varken omfattas av vår garanti eller av konsumentens lagliga rättigheter och/eller skador och/eller defekter på produkter som inte omfattas av vår garanti kan hanteras till en rimlig avgift.

Konsumentens rättigheter:

Konsumenten har lagliga rättigheter enligt tillämplig konsumentlagstiftning, som kan variera från land till land. Konsumentens rättigheter enligt tillämplig nationell lagstiftning rättigheter påverkas inte av denna garanti.

Denna garanti ges av Dorel Nederländerna. Vi är registrerade i Nederländerna

under företagsnummer 17060920. Vår företagsadress är Korendijk 5, 5704 RD Helmond, Nederländerna, och vår postadress är P.O. Box 6071, 5700 ET Helmond, Nederländerna.

Du hittar namn och adressuppgifter på andra dotterbolag i Dorel-koncernen på den sista sidan i denna bruksanvisning och på vår hemsida för det berörda varumärket.

(1) Produkter som köps från återförsäljare eller handlare som tar bort eller byter etiketter eller identifikationsnummer anses otillåtna. Produkter som köps från obehöriga återförsäljare anses också otillåtna. Ingen garanti gäller för sådana produkter eftersom produkternas äkthet inte kan fastställas.



DA

SIKKERHED



Baby-stol 0M - 6M/9kg

Vore produkter er blevet omhyggeligt deignet og testet for at sikre dit barns sikkerhed og komfort. EN 12790:2009.

ADVARSEL:

- Efterlad aldrig barnet uden opsyn.
- Anvend ikke barnestolen når først dit barn kan sidde uden hjælp.
- Denne barnestol er ikke beregnet til længerevarende soveperioder.
- Det er farligt at anvende denne barnestol på en forhøjet overflade, f. eks. et bord.
- Anvend altid fastgørelsessystemet.

- Brug aldrig legetøjsstangen til at bære barnestolen i.

Yderligere information

1. Denne barnestol er beregnet til børn fra 0 måneder op til 9 kg.
2. Skulle dit barn have behov for at sove, så bør det placeres i en passende tremmeseng eller seng.
3. Anvend ikke barnestolen, hvis nogen komponenter er i stykker eller mangler.
4. Brug kun tilbehør eller reservedele, som er godkendt af fabrikanten. Brug af andet tilbehør kan være farlig.



Høj stol 6M - 36M/15kg

Vore produkter er blevet omhyggeligt deignet og testet for at sikre dit barns sikkerhed og komfort. EN14988:2017+A1:2020. - Børns høje stole.

ADVARSEL:

- Efterlad aldrig barnet uden opsyn.



DA

- Brug altid selen.
- Faldfare: Forhindr dit barn i at klatre på produktet.
- Anvend ikke produktet medmindre alle komponenter er korrekt tilpasset og justeret.
- Vær opmærksom på risikoen ved åben ild og andre kraftige varmekilder i nærheden af produktet.
- Vær opmærksom på risikoen for vippen, når dit barn kan stemme fødderne mod et brod eller anden konstruktion.

Yderligere information

1. Produktet må ikke anvendes før barnet kan sidde opret uden hjælp.
2. Produktet må ikke anvendes, hvis nogen del er i stykker, revet eller mangler.
3. Hold barnet væk, når produktet foldes ud eller foldes sammen for at undgå skade.

4. Denne høje stol er beregnet til børn, der kan sidde op uden hjælp og op til 3 år eller en maksimal vægt på 15 kg.



Børnestol 3Y - 14Y/60kg

Vore produkter er blevet omhyggeligt designet og testet for at sikre dit barns sikkerhed og komfort. EN 17191: 2021 Siddepladser til børn.

ADVARSEL:

- Efterlad aldrig barnet uden opsyn.
- Anbring IKKE dette produkt i nærheden af et vindue, da børn kan bruge det som et trin, hvilket kan medføre, at barnet falder ud af vinduet.
- Vær opmærksom på risici fra åben ild og andre kilder til stærk varme i nærheden af produktet.



DA

• Anbring IKKE dette produkt i nærheden af et vindue, hvor ledninger fra persienner eller gardiner kan udgøre en kvælningsfare for børn.

Yderligere information

1. Denne siddeplads er beregnet til børn, der er i stand til at gå og sidde uden hjælp under 7 år.
2. Alle monteringsbeslag skal altid strammes ordentligt
3. Brug ikke sædet, hvis en del er knust, revet eller mangler, og brug kun reservedele, der er godkendt af producenten
4. Fastholdelsesanlæg skal fjernes / skjules / tildækkes (alt efter hvad der er relevant), når produktet bruges som siddeplads.



Voksen stol
14Y+ / 110kg

Vores produkter er omhyggeligt designet og testet for at sikre sikkerhed og komfort. EN12520:2016.



Råd om pleje af produktet

- Produktet skal vedligeholdes regelmæssigt for at give fuld tilfredshed. Vi tilråder, at du tjekker og om nødvendigt rengør mekaniske dele hver fjortende dag.
- Brug ikke kraft, hvis det bliver vanskeligt at folde det sammen eller folde det ud. Rengør produktet, hvis vanskelighederne vedvarer, kontakt din leverandør,
- Pleje: Anvend en svamp og en mild sæbe. Brug ikke rengøringsmiddel.
- E instruktionsetiketten ved vask af stoffet.

Miljø

Af hensyn til miljøet bedes du aflevere dette produkt i egnede affaldsdeponeringsanlæg i overensstemmelse med lokal lovgivning.

Spørgsmål

Kontakt din lokale forhandler eller besøg vores hjemmeside. Sørg for at have følgende oplysninger ved hånden:

- Serienummer
- Dit barns alder (højde) og vægt.



DA

Garanti

Vores 24 måneders garanti afspejler vores tillid til den enestående kvalitet af vores design, konstruktion, produktion og produktets ydeevne. Vi bekræfter, at dette produkt er fremstillet i overensstemmelse med de nuværende europæiske sikkerhedskrav og kvalitetskrav, der gælder for dette produkt, og at dette produkt er fri for fejl i materialer og udførelse på tidspunktet for købet. Ifølge de heri nævnte betingelser kan denne garanti påberåbes af forbrugere i landene, hvor dette produkt er blevet solgt af et datterselskab i Dorel-gruppen eller af en autoriseret forhandler eller detailhandler.

Vores 24 måneders garanti dækker alle fabriksfejl i materialer og forarbejdning, når de anvendes under normale forhold og i overensstemmelse med vores brugsanvisning for en periode på 24 måneder fra datoen for det oprindelige detailkøb af den første slutbrugerkøber. For at anmode om reparation eller reservedele under garantien for defekter i materialer og forarbejdning, skal du fremlægge

købsbeviset, der er udstedt inden for de 24 måneder forud for anmodningen om servicering.

Vores 24 måneders garanti dækker ikke skader forårsaget af normal slitage, skader forårsaget af ulykker, misbrug, uagtsomhed, brand, væskekontakt eller anden ekstern grund, skade som konsekvens af ikke at overholde brugsanvisningen, skade forårsaget af service fra enhver, der ikke er autoriseret af os, eller hvis produktet er blevet stjålet, eller hvis nogen mærkning eller identifikationsnummer er blevet fjernet eller ændret. Eksempler på normal slitage omfatter hjul og stofsletage forårsaget af regelmæssig brug og den naturlige nedbrydning af farver og materialer i løbet af længere tid og brug.

Hvad skal man gøre i tilfælde af fejl:

Hvis der opstår problemer eller fejl, skal du først og fremmest kontakte den autoriserede forhandler eller den af os anerkendte detailhandler. Vores 24 måneders garanti anerkendes af dem⁽¹⁾. Du skal fremlægge købsbeviset, der er udstedt inden for de 24 måneder forud for anmodningen om



servicering. Det er lettest, hvis du får din serviceanmodning forhåndsgodkendt af os. Hvis du fremsender et gyldigt krav under denne garanti, kan vi anmode dig om, at du returnerer dit produkt til den autoriserede forhandler eller den af os anerkendte detailhandler, eller at du sender produktet til os i henhold til vore instruktioner. I princippet betaler vi for forsendelse og for returfragten, hvis alle instruktioner er fulgt. Skader og/eller defekter, der hverken er dækket af vores garanti eller af forbrugersens juridiske rettigheder og/eller skader og/eller defekter med hensyn til produkter, der ikke er omfattet af vores garanti, kan behandles for et rimeligt gebyr.

Forbrugersens rettigheder:

En forbruger har juridiske rettigheder ifølge gældende forbrugerlovgivning, hvilket kan variere fra land til land. Forbrugersens rettigheder under gældende national lovgivning påvirkes ikke af denne garanti. Denne garanti er udstedt af Dorel Netherlands. Vi er registreret i Holland under firmanummer 17060920. Vor handelsadresse

er Korendijk 5, 5704 RD Helmond, Holland, og vor postadresse er P.O.Box 6071, 5700 ET Helmond, Holland.

Navne og adresser på andre datterselskaber i Dorel-gruppen kan findes på den sidste side i denne vejledning og på vor hjemmeside for det pågældende produkt.

(1) Produkter købt fra detailhandlere eller forhandlere, der fjerner eller ændrer etiketter eller identifikationsnumre, betragtes som uautoriserede. Der ydes ingen garanti for disse produkter, da ægtheden af disse produkter ikke kan fastslås.





TURVALLISUUS



Vauvakeinu 0M - 6M/9kg

Tuotteemme on suunniteltu ja testattu huolellisesti lasten turvallisuutta ja mukavuutta varten. EN 12790:2009.

VAROITUS:

- Älä koskaan jätä lasta ilman valvontaa.
- Älä käytä vauvakeinua enää sen jälkeen, kun lapsi pystyy istumaan tukea.
- Tätä vauvakeinua ei ole tarkoitettu pitempiaikaiseen nukkumiseen.
- On vaarallista asettaa vauvakeinu korotetulle pinnalle, esim. pöydälle.
- Käytä aina rajoitinlaitetta.

- Älä koskaan kannaa vauvakeinua lelukaaresta.

Lisätietoja

1. Tämä vauvakeinu on tarkoitettu lapsille syntymästä aina 9 kg:n painoon asti.
2. Tämä vauvakeinu ei korvaa koppaa tai vuodetta. Kun lapsi haluaa nukkua, hänet on asetettava sopivaan koppaan tai vuoteeseen.
3. Älä käytä vauvakeinua, jos siinä on rikkinäisiä tai puuttuvia osia.
4. Älä käytä muita kuin valmistajan hyväksymiä lisälaitteita ja vaihto-osia. Muiden lisälaitteiden käyttäminen voi olla vaarallista.



Lasten syöttötuoli 6M - 36M/15kg

Tuotteemme on suunniteltu ja testattu huolellisesti lasten turvallisuutta ja mukavuutta varten. EN14988:2017+A1:2020. - Lasten syöttötuolit.

VAROITUS:

- Älä koskaan jätä lasta ilman valvontaa.



FI

- Käytä aina rajoitinlaitetta.
- Putoamisvaara: Estä lastasi kiipeämästä tuotteen päälle.
- Älä käytä tuotetta, elleivät kaikki osat ole sovitettu ja säädetty oikein.
- Ole tietoinen avotulien ja muiden voimakkaiden lämmönlähteiden vaarasta tuotteen läheisyydessä.
- Ole tietoinen kallistumisvaarasta, jos lapsi voi työntää jalkansa pöytää tai mitä tahansa rakennetta vasten.

Lisätietoja

1. Älä käytä tuotetta, ennen kuin lapsi pystyy istumaan ilman tukea;
2. Älä käytä tuotetta, jos jokin osa on murtunut, repeytynyt tai puuttuva;
3. Pidä lapsi välimatkan päässä, kun avaat tai taitat tuotetta kokoon loukkaantumisen välttämiseksi;

4. Tämä syöttötuoli on tarkoitettu lapsille, jotka pystyvät istumaan ilman tukea ja kolmivuotiaaksi saakka tai joiden enimmäispaino on 15 kg.

**3Y - 14Y/60kg**

Tuotteemme on suunniteltu ja testattu huolellisesti lasten turvallisuutta ja mukavuutta varten. EN 17191: 2021 Istuimet lapsille.

VAROITUS:

- Älä koskaan jätä lasta ilman valvontaa.
- ÄLÄ aseta tätä tuotetta ikkunan lähelle, koska lapsi saattaa käyttää sitä askelmana ja pudota ikkunasta.
- Ole tietoinen avotulesta ja muista voimakkaan kuumuuden lähteistä tuotteen läheisyydessä.



- ÄLÄ aseta tätä tuotetta ikkunan lähelle, koska kaihdinten tai verhojen narut voivat aiheuttaa lapsen kuristumisen.

Lisätietoja

1. Tämä istuin on tarkoitettu alle 7-vuotiaille lapsille, jotka pystyvät kävelemään ja istumaan ilman apua.
2. Kaikki asennustarvikkeet tulee aina kiristää kunnolla
3. Älä käytä istuinta, jos jokin osa on rikki, repeytynyt tai puuttuu, ja käytä vain valmistajan hyväksymiä varaosia
4. Turvajärjestelmä on poistettava / piilotettava / peitettävä (soveltuvin osin), kun tuotetta käytetään istuimena.



Aikuisten tuoli 14Y+ / 110kg

Tuotteemme on huolellisesti suunniteltu ja testattu turvallisuuden ja mukavuuden takaamiseksi. EN12520:2016.



Tuotteen huolto-ohje

- Tuote on huollettava säännöllisesti, jotta se antaisi täyden tyydytyksen. Kehotamme sinua tarkistamaan ja tarpeen vaatiessa puhdistamaan mekaaniset osat kahden viikon väliajoin.
- Älä käytä voimaa, jos tuotteen kokoon taittamisessa ja avaamisessa ilmenee vaikeuksia. Puhdista tuote. Jos vaikeudet jatkuvat, ota yhteys hankkijaasi.
- Huolto: Käytä sientä ja mietoa saippuaa. Älä käytä puhdistusaineita.
- Päälylskankaan pesua varten katso siinä olevaa ohjemerkinä.

Ympäristö

Ympäristönsuojelun kannalta on tärkeää, että kun et enää käytä tätä tuotetta, hävität sen asianmukaisesti paikallisten määräysten mukaisesti.

Kysyttävää

Ota yhteys paikalliseen valtuutettuun jälleenmyyjään tai vieraille kotisivuillamme.





FI

Kun teet niin, pidä seuraavat tiedot saatavilla:

- Sarjanumero
- Lapsen ikä, pituus ja paino.

Takuu

24 kuukauden takuumme on osoitus luottamuksestamme suunnitelmamme ensiluokkaiseen laatuun, valmistukseen, tuotantoon ja tuotteen toimivuuteen. Takaamme, että tämä tuote on valmistettu voimassa olevien, tätä tuotetta koskevien eurooppalaisten turvallisuusvaatimusten ja laatustandardien mukaisesti, ja että tuotteessa ei ole ostohetkellä materiaali- tai valmistusvirheitä. Tässä mainittujen ehtojen mukaisesti kuluttajat voivat vedota takuuseen maissa, joissa tätä tuotetta on myyty Dorel-yritysrühmän tytäryhtiön, valtuutetun myyjän tai jälleenmyyjän toimesta.

Myöntämämme 24 kuukauden takuu kattaa kaikki materiaali ja valmistusvirheet, olettaen että tuotetta on käytetty normaaliolosuhteissa ja toimittamamme käyttöohjeen mukaisesti. Takuu on voimassa 24 kuukauden ajan ostopäivämäärästä lukien.

Jotta voit saada takuun alaisia korjaus- tai varaosapalveluita tuotteen mahdollisten materiaali- tai valmistusvirheiden vuoksi, sinun on esitettävä ostotosite, joka on päivätty huoltopyyntöä edeltävien 24 kuukauden aikana.

Myöntämämme 24 kuukauden takuu ei korvaa normaalista kulumisesta, onnettomuudesta, väärinkäytöstä, huollon puutteesta, huolimattomuudesta, tulipalosta, nestekontaktista tai muista ulkoisista syistä aiheutuneita virheitä. Takuu ei myöskään kata käyttöohjeiden noudattamatta jättämisestä aiheutuneita virheitä, toisen tuotteen käytöstä aiheutuneita virheitä, tuotteen luvattomasta käytöstä toisen henkilön taholta aiheutuneita virheitä, tuotteen varastamisesta aiheutuneita virheitä, tuote-etikin tai tuotteen tunnistamisnumeron poistosta aiheutuneita tai tuotteen muuttamisesta aiheutuneita vaurioita. Esimerkkejä normaalista kulumisesta ovat säännöllisen käytön aiheuttamat kulumat pyörissä ja tekstiileissä ja värin ja materiaalien luonnollinen haalistuminen tuotteen normaalin vanhenemisen vuoksi.



Mitä tehdä, jos vikoja ilmenee:

Jos ongelmia tai vikoja ilmene, pyydämme Teitä kääntymään valtuutetun jälleenmyyjän puoleen. He hyväksyvät antamamme 24 kuukauden takuun⁽¹⁾. Sinun on esitettävä ostotosite, joka on päivätty huoltopyyntöä edeltävien 24 kuukauden ajalle. Helpoimmin huoltopyyntösi voi esittää esihyväksyttämällä sen meillä. Jos esität tämän takuun kattaman kelvollisen korvausvaatimuksen, voimme pyytää sinua palauttamaan tuotteen valtuutetulle myyjälle ja hyväksymällemme jälleenmyyjälle tai lähettämään tuotteen meille antamiemme ohjeiden mukaisesti. Maksamme lähetys- ja palautuskustannukset, mikäli kaikkia sääntöjä noudatetaan. Vauriot ja/vaiat, jotka eivät ole takuun alaisia voidaan korjata kohtuullista maksua vastaan.

Kuluttajan oikeudet:

Kuluttajalla on kuluttajasuojalaissa määritetyt oikeudet, jotka voivat vaihdella maakohtaisesti. Tämä takuu ei vaikuta kansallisen lainsäädännön alaisiin kuluttajan oikeuksiin.

Takuu on Dorel Netherlandsin asettama. Olemme rekisteröityneet Alankomaissa

yhäntönumerolla 17060920. Liikesoitteemme on Korendijk 5, 5704 RD Helmond, The Netherlands ja postiosoiteemme P.O. Bos 6071 ET Helmond, The Netherlands.

Dorel-yhtyrühmän muiden tytäryhtiöiden nimi- ja osoitetiedot on annettu tämän käyttöohjeen viimeisellä sivulla ja nettisivustollamme kyseisen tuotemerkin kohdalla.

(1) Sellaisia jälleenmyyjäiä, jotka poistavat tai muuttavat tarroja tai tunnistenumeroita, ei katsota valtuutetuiksi myyjiksi. Valtuuttamattomilta jälleenmyyjiltä ostettuja tuotteita ei katsota valtuutetuiksi. Takuu ei koske näitä tuotteita, koska tuotteiden aitous ei voida varmistaa.



SIKKERHET



Vippestol 0M - 6M/9kg

Våre produkter er nøye utformet og testet for å sørge for barnets sikkerhet og komfort. EN 12790:2009.

ADVARSEL:

- Aldri etterlat barnet uten tilsyn.
- Ikke bruk vippestolen når barnet klarer å sitte uten hjelp.
- Denne vippestolen er ikke tiltenkt lengre soveperioder.
- Det er farlig å bruke vippestolen på en forhøyet overflate, f.eks. et bord.
- Bruk alltid sikringssystemet.
- Bruk aldri lekestangen til å bære vippestolen.

Ytterligere informasjon

1. Denne vippestolen er tiltenkt for barn fra 0 måneder og opp til 9 kg.
2. Denne vippestolen er ikke en erstatning for en bærebag eller en seng. Hvis barnet trenger å sove, bør det legges i en passende bærebag eller seng.
3. Ikke bruk vippestolen hvis noen komponenter er ødelagt eller mangler.
4. Ikke bruk tilbehør eller utskiftingsdeler bortsett fra de som er godkjent av produsenten. Bruk av annet tilbehør kan være farlig.



Høy barnestol 6M - 36M/15kg

Våre produkter er nøye utformet og testet for å sørge for barnets sikkerhet og komfort. EN14988:2017+A1:2020. - Høye barnestoler.

ADVARSEL:

- Aldri etterlat barnet uten tilsyn.
- Bruk alltid sikringsselen.



NO

- Fallfare: Forhindre at barnet klatrer på produktet.
- Ikke bruk produktet med mindre alle komponenter er riktig festet og tilpasset.
- Vær oppmerksom på risikoen fra åpen ild og andre sterke varmekilder i nærheten av produktet.

- Vær oppmerksom på risikoen for å velte når barnet kan presse føttene sine mot et bord eller en annen struktur.

Ytterligere informasjon

1. Ikke bruk produktet før barnet er i stand til å sitte selv;
2. Ikke bruk produktet hvis noen deler er ødelagt, revet eller mangler;
3. Hold barnet unna når produktet slås ut eller legges sammen for å unngå skade;

4. Denne høye barnestolen er tiltenkt barn som er i stand til å sitte selv, og opp til 3 år eller en maksimal vekt på 15 kg.



Barnestol 3Y - 14Y/60kg

Våre produkter er nøye utformet og testet for å sørge for barnets sikkerhet og komfort. EN 17191: 2021 Sitteplasser for barn.

ADVARSEL:

- Aldri etterlat barnet uten tilsyn.
- IKKE plasser dette produktet i nærheten av et vindu da det kan brukes som en trapp av barnet og få barnet til å falle ut av vinduet.
- Vær oppmerksom på risikoen for åpen ild og andre kilder til sterk varme i nærheten av produktet.
- IKKE plasser dette produktet i



nærheten av et vindu der snorer fra persienner eller gardiner kan kvele et barn.

Ytterligere informasjon

1. Denne sitteplassen er beregnet på barn som kan gå og sitte uten hjelp under 7 år.
2. Alle monteringsbeslag skal alltid strammes ordentlig.
3. Ikke bruk setet hvis deler er ødelagt, revet eller mangler, og bruk kun reservedeler som er godkjent av produsenten.
4. Bindesystemet skal fjernes / skjules / tildekkes (etter behov) når produktet brukes som sitteplass.



Voksen stol 14Y+ / 110kg

Våre produkter er nøye designet og testet for å sikre sikkerhet og komfort. EN12520:2016.



Råd om vedlikehold av produktet

- Produktet må holdes i god stand for å gi full tilfredshet. Vi anbefaler at du kontrollerer, og ved behov, rengjør mekaniske deler annenhver uke.
- Ikke bruk krefter hvis det blir vanskelig å legge det sammen eller slå det ut. Rengjør produktet. Hvis vanskelighetene vedvarer, ta kontakt med leverandøren.
- Vedlikehold: Bruk en svamp og mild såpe. Ikke bruk rengjøringsmiddel.
- For å vaske stoffet, se instruksjonsetiketten.

Miljø

Av miljømessige grunner ber vi deg kvitte deg med dette produktet i egnede avfallsdeponier i overensstemmelse med lokal lovgivning, etter at du har holdt opp å bruke det.





NO

Spørsmål

Vennligst kontakt din lokale distributør eller besøk vårt nettsted. Når du gjør det, pass på å ha følgende informasjon for hånden:

- Serienummer
- Barnets alder (høyde) og vekt.

Garanti

Vår 24 måneders garanti gjenspeiler vår tillit til den enestående kvaliteten til produktets design, utvikling, produksjon og ytelse. Vi garanterer at dette produktet ble produsert i henhold til de gjeldene europeiske sikkerhetskrav og kvalitetsstandarder som gjelder dette produktet, og at dette produktet er uten defekter i materialer eller arbeid ved kjøpstidspunktet. Under betingelsene som nevnes her, kan denne garantien påberopes av forbrukere i land der dette produktet har blitt solgt av et datterselskap av Dorel-gruppen, eller av en autorisert forhandler eller detaljist.

Vår 24 måneders garanti dekker alle produksjonsdefekter i materialer og arbeid, når det brukes under normale forhold og i

henhold til brukerveiledningen i en periode på 24 måneder fra datoen til det opprinnelige kjøpet til den første sluttbrukeren. For å forespørre reservedeler under garantien for defekter i materialer og arbeid må du ha et kjøpsbevis datert i løpet av de siste 24 månedene før tjenesteforespørselen.

Vår 24 måneders garanti dekker ikke skader forårsaket normal bruk og slitasje, skade forårsaket av ulykker, misbruk, uaktsomhet, brann, kontakt med væsker alle annen ekstern årsak, skade forårsaket av at bruksanvisningen ikke er fulgt, skade forårsaket av bruk sammen med et annet produkt, skade forårsaket av service av noen som ikke er autorisert av oss, eller hvis produktet blir stjålet eller om noen etikett eller identifikasjonsnummer er fjernet fra produktet, eller har blitt endret. Eksempler på normal bruk og slitasje inkluderer slitasje på hjul og stoff fra regelmessig bruk og naturlig nedbrytning av farger og materialer på grunn av den normale aldringen av produktet.

Hva du skal gjøre i tilfelle defekter:
Hvis det oppstår problemer eller defekter



får du raskest behandling ved å kontakte din autoriserte forhandler eller detaljist som er anerkjent av oss. Vår 24-måneders garanti er anerkjent av dem⁽¹⁾. Du må ha et kjøpsbevis datert i løpet av de siste 24 månedene før tjenesteforespørselen. Det er enklest om du får din tjenesteforespørsel forhåndsgodkjent av oss. Hvis du sender inn et gyldig krav under denne garantien, kan vi be om at du returnerer produktet til den autoriserte forhandleren eller detaljisten som er anerkjent av oss, eller at du sender produktet til oss i henhold til våre instruksjoner. Vi vil betale for frakt og returfrakt hvis alle instruksjoner er fulgt. Skader og/eller defekter som ikke dekkes av vår garanti, og heller ikke av kundens juridiske rettigheter og/eller skade og/eller defekter med hensyn til produkter som ikke dekkes av vår garanti, kan behandles til en fornuftig pris.

Forbrukerrettigheter:

En kunde har juridiske rettigheter i henhold til gjeldende forbrukerlovgivning, som kan variere fra land til land. Forbrukerrettighetene under gjeldende nasjonal lovgivning påvirkes ikke av denne garantien.

Garantien gis av Dorel Netherlands. Vi er registrert i Nederland med selskapsnummer 17060920. Vår kontoradresse er Korendijk 5, 5704 RD Helmond, Nederland, og vår postadresse er P.O. Box 6071, 5700 ET Helmond, Nederland.

Detaljer med navn og adresser for andre datterselskaper av Dorel-gruppen finner du på den siste siden i denne håndboken og på vårt nettsted for det gjeldende merket.

(1) Produkter kjøpt fra forhandlere som fjerner eller endrer etiketter eller identifikasjonsnumre blir sett på som uautoriserte. Produkter som er kjøpt fra uautoriserte forhandlere blir også regnet som uautorisert. Ingen garanti gjelder for disse produktene da vi ikke kan bekrefte at de er originale.





ΑΣΦΑΛΕΙΑ



Ανακλινόμενο Λίκνο 0M – 6M/9kg

Τα προϊόντα μας έχουν σχεδιαστεί με προσοχή και ελεγχθεί για να διασφαλίσουν την ασφάλεια και την άνεση του μωρού σας. EN 12790:2009.

ΠΡΟΕΙΔΟΠΟΙΗΣΗ:

- Μην αφήνετε ποτέ το παιδί σας χωρίς επιτήρηση.
- Μην χρησιμοποιείτε την ανακλινόμενη κούνια από τη στιγμή που το παιδί σας μπορεί να καθίσει χωρίς βοήθεια.
- Η συγκεκριμένη ανακλινόμενη κούνια δεν προορίζεται για παρατεταμένες περιόδους ύπνου.
- Είναι επικίνδυνη η χρήση

αυτής της ανακλινόμενης κούνιας σε ανυψωμένη επιφάνεια, π.χ. σε ένα τραπέζι.

- Χρησιμοποιείτε πάντοτε το σύστημα συγκράτησης.
- Μην χρησιμοποιείτε ποτέ τη μπάρα παιχνιδιών για να μεταφέρετε την ανακλινόμενη κούνια.

Επιπρόσθετες πληροφορίες

1. Αυτή η ανακλινόμενη κούνια προορίζεται για παιδιά από 0 μηνών και βάρους έως 9kg.
2. Αυτή η ανακλινόμενη κούνια δεν αντικαθιστά μία κούνια ή ένα κρεβάτι. Εάν το παιδί σας χρειάζεται ύπνο, θα πρέπει να μεταφερθεί σε κατάλληλη κούνια ή κρεβάτι.
3. Μην χρησιμοποιείτε την ανακλινόμενη κούνια εάν κάποιο εξάρτημα έχει σπάσει ή λείπει.
4. Μην χρησιμοποιείτε εξαρτήματα ή ανταλλακτικά εκτός εκείνων που έχουν εγκριθεί από τον κατασκευαστή. H



EL

χρήση άλλων εξαρτημάτων μπορεί να αποβεί επικίνδυνη.



Καρεκλάκι φαγητού για παιδιά 6Μ - 36Μ/15kg

Τα προϊόντα μας έχουν σχεδιαστεί με προσοχή και ελεγχθεί για να διασφαλίσουν την ασφάλεια και την άνεση του μωρού σας.
EN14988:2017+A1:2020. - Βρεφικά καρεκλάκια φαγητού.

ΠΡΟΕΙΔΟΠΟΙΗΣΗ:

- Μην αφήνετε ποτέ το παιδί σας χωρίς επίτηρηση.
- Χρησιμοποιείτε πάντα το σύστημα πρόσδεσης.
- Κίνδυνος πτώσης: μην επιτρέπετε στο παιδί σας να ανεβαίνει επάνω στο προϊόν.
- Μην χρησιμοποιείτε το προϊόν παρά μόνον εάν όλα τα μέρη του έχουν

τοποθετηθεί και ρυθμιστεί σωστά.

- Μην τοποθετείτε το προϊόν κοντά σε τζάκι ή άλλες πηγές έντονης θερμότητας προς αποφυγή του κινδύνου φωτιάς.
- Κίνδυνος ανατροπής εάν το παιδί μπορέσει να σπρώξει με τα πόδια του ένα τραπέζι ή οποιαδήποτε άλλη επιφάνεια.

Επιπρόσθετες πληροφορίες

1. Μην χρησιμοποιείτε το προϊόν μέχρις ότου το παιδί να μπορέσει να καθήσει χωρίς βοήθεια.
2. Μην χρησιμοποιείτε το προϊόν εάν κάποιο τμήμα του είναι σπασμένο, σκισμένο ή λείπει.
3. Παρακαλούμε κρατήστε τα παιδιά μακριά κατά την δίπλωση και αναδίπλωση του προϊόντος προς αποφυγή τραυματισμών.

4. Αυτό το Καρεκλάκι Φαγητού προορίζεται για παιδιά που μπορούν να καθίσουν χωρίς βοήθεια και έως 3 ετών ή μέγιστου βάρους 15 kg.



Παιδικό σκαμνάκι για παιδιά 3Y – 14Y/60kg

Τα προϊόντα μας έχουν σχεδιαστεί με προσοχή και ελεγχθεί για να διασφαλίσουν την ασφάλεια και την άνεση του μωρού σας. EN 17191: 2021 Καθίσματα για παιδιά.

ΠΡΟΕΙΔΟΠΟΙΗΣΗ:

- Μην αφήνετε ποτέ το παιδί σας χωρίς επιτήρηση.
- ΜΗΝ τοποθετείτε το προϊόν αυτό κοντά σε παράθυρο καθώς μπορεί ένα παιδί να το χρησιμοποιήσει ως σκαλοπάτι και να πέσει έξω από το παράθυρο.
- Κίνδυνος από φωτιά και άλλες πηγές έντονης θερμότητας σε κοντινή

απόσταση από το προϊόν.

- ΜΗΝ τοποθετείτε το προϊόν αυτό κοντά σε παράθυρο καθώς υπάρχει κίνδυνος στραγγαλισμού κάποιου παιδιού με τα σχοινιά από τα στόρια ή τις κουρτίνες.

Επιπρόσθετες πληροφορίες

1. Αυτό το καθιστικό προορίζεται για παιδιά ικανά να περπατούν και να κάθονται χωρίς βοήθεια κάτω των 7 ετών.
2. Όλα τα εξαρτήματα συναρμολόγησης πρέπει πάντα να σφίγγονται σωστά
3. Μην χρησιμοποιείτε το κάθισμα εάν κάποιο τμήμα είναι σπασμένο, σχισμένο ή λείπει και χρησιμοποιείτε μόνο ανταλλακτικά εγκεκριμένα από τον κατασκευαστή
4. Το σύστημα συγκράτησης αφαιρείται / κρύβεται / καλύπτεται (κατά περίπτωση) όταν το προϊόν χρησιμοποιείται ως καθίσματα.



EL



Καρέκλα ενηλίκων 14Y+ / 110kg

Τα προϊόντα μας έχουν σχεδιαστεί και δοκιμαστεί προσεκτικά για να διασφαλίζουν την ασφάλεια και την άνεση. EN12520:2016.



Οδηγίες φροντίδας προϊόντος

- Για να εκμεταλλευτείτε στο έπακρο το προϊόν σας, θα πρέπει να το συντηρείτε τακτικά. Συνιστούμε να το ελέγχετε κάθε δεκαπέντε ημέρες και να καθαρίζετε τα μηχανικά μέρη εάν απαιτείται.
- Εάν είναι δύσκολο να διπλωθεί ή να ξεδιπλωθεί, μην το ζορίζετε ποτέ. Καθαρίστε το προϊόν. Εάν εξακολουθήσετε να δυσκολεύεστε, επικοινωνήστε με τον προμηθευτή σας.
- Φροντίδα: Χρησιμοποιήστε σφουγγάρι και μαλακό σαπούνι. Μην χρησιμοποιείτε απορρυπαντικό.
- Για το πλύσιμο του υφάσματος, παρακαλούμε συμβουλευτείτε την

ετικέτα με τις οδηγίες.

Περιβάλλον

Για περιβαλλοντικούς λόγους, το προϊόν πρέπει να απορρίπτεται μετά τη χρήση του στην κατάλληλη μονάδα επεξεργασίας απορριμμάτων σύμφωνα με την τοπική νομοθεσία.

Ερωτήσεις

Επικοινωνήστε με τον τοπικό διανομέα ή επισκεφτείτε την ιστοσελίδα μας. Πρέπει να έχετε στη διάθεσή σας τα παρακάτω στοιχεία:

- Σειριακός αριθμός
- Ηλικία (ύψος) και βάρος του παιδιού σας.

Εγγύηση

Η 24μηνη εγγύηση του προϊόντος μας συμβολίζει την εμπιστοσύνη μας στην απόλυτη ποιότητα του σχεδιασμού, της κατασκευής, της παραγωγής και της απόδοσης του προϊόντος μας. Εγγυώμαστε ότι αυτό το προϊόν κατασκευάστηκε σύμφωνα με τις τρέχουσες ευρωπαϊκές απαιτήσεις ασφαλείας και τα πρότυπα ποιότητας

Maxi-Cosi | Nesta | 121



EL

που ισχύουν για αυτό το προϊόν και ότι το προϊόν κατά την αγορά του δεν παρουσιάζει ελαττωματικά υλικά ή βλάβες στην κατασκευή. Στις συνθήκες που αναφέρονται στο παρόν, οι καταναλωτές μπορούν να επικαλεστούν την παρούσα εγγύηση στις χώρες όπου έχει πωληθεί το προϊόν από θυγατρική εταιρία του Ομίλου Dorel ή από εξουσιοδοτημένο αντιπρόσωπο ή κατάστημα λιανικής.

H 24μηνη εγγύηση καλύπτει όλες τις κατασκευαστικές βλάβες στα υλικά εφόσον το προϊόν χρησιμοποιείται υπό κανονικές συνθήκες και σύμφωνα με το εγχειρίδιο χρήσης για περίοδο 24 μηνών από την ημερομηνία της αρχικής αγοράς λιανικής από τον πρώτο χρήστη-πελάτη. Σε περίπτωση που στο πλαίσιο της εγγύησης επιθυμείτε να ζητήσετε επισκευή ή ανταλλακτικά για τυχόν βλάβες στα υλικά και την κατασκευή, πρέπει να επιδείξετε την απόδειξη αγοράς η οποία πραγματοποιήθηκε στο διάστημα των τελευταίων 24 μηνών πριν από την αίτηση για τεχνική υποστήριξη.

H 24μηνη εγγύησή μας δεν καλύπτει ζημιές που έχουν προκληθεί από φυσιολογική φθορά και καταστροφή, ζημιές από ατυχήματα, κατάχρηση του προϊόντος, αμέλεια, φωτιά, επαφή με υγρά ή άλλη εξωγενή αίτια, ζημιές που προκύπτουν λόγω μη συμμόρφωσης με το εγχειρίδιο χρήσης, που προκαλούνται από τη χρήση άλλου προϊόντος ή κατά το σέρβις από μη εξουσιοδοτημένο προσωπικό ή ζημιές που προκλήθηκαν εάν το προϊόν κλάπηκε ή αφαιρέθηκε ή αλλάχθηκε η ετικέτα με τον αριθμό αναγνώρισης προϊόντος. Παραδείγματα φυσιολογικής φθοράς περιλαμβάνουν τη φθορά των τροχών και του υφάσματος λόγω κανονικής χρήσης και τη φυσιολογική εξασθένηση των χρωμάτων καθώς και τη φθορά των υλικών εξαιτίας της κανονικής χρήσης του προϊόντος με την πάροδο του χρόνου.

Τι να κάνετε σε περίπτωση βλάβης:
Σε περίπτωση προβλημάτων ή βλάβης, η καλύτερη επιλογή για γρήγορη τεχνική υποστήριξη είναι να επισκεφτείτε τον αντιπρόσωπο ή το κατάστημα λιανικής



EL

πώλησης που είναι εξουσιοδοτημένοι από εμάς και αναγνωρίζουν την 24μηνια εγγύησή μας⁽¹⁾. Πρέπει να επιδείξετε την απόδειξη αγοράς η οποία πραγματοποιήθηκε στο διάστημα των τελευταίων 24 μηνών πριν από την αίτηση για τεχνική υποστήριξη. Για τη διευκόλυνσή σας μπορείτε να ζητήσετε από το τμήμα τεχνικής υποστήριξης της να προεγκρίνουμε εμείς την αίτησή σας για τεχνική υποστήριξη. Εάν υποβάλλετε έγκυρη αξίωση σύμφωνα με την παρούσα εγγύηση, ενδέχεται να ζητήσουμε επιστροφή του προϊόντος σε εξουσιοδοτημένο αντιπρόσωπο ή αναγνωρισμένο πωλητή λιανικής ή αποστολή του προϊόντος σε εμάς σύμφωνα με τις οδηγίες μας. Θα καλύψουμε τα έξοδα αποστολής και επιστροφής εάν τηρηθούν όλες οι οδηγίες. Βλάβες και/ή ελαττώματα που δεν καλύπτονται από την εγγύησή μας ή από τα νομικά δικαιώματα του καταναλωτή και βλάβες και/ή ελαττώματα που αφορούν τα προϊόντά μας που δεν καλύπτονται από την εγγύησή μας, μπορούν να

επισκευαστούν σε λογικές τιμές.

Δικαιώματα του καταναλωτή:

Ο καταναλωτής έχει νόμιμα δικαιώματα σύμφωνα με την ισχύουσα νομοθεσία περί καταναλωτών, που είναι πιθανόν να διαφέρει σε κάθε χώρα. Τα δικαιώματα του καταναλωτή σύμφωνα με την ισχύουσα εθνική νομοθεσία δεν επηρεάζονται από την παρούσα εγγύηση.

Η παρούσα εγγύηση παρέχεται από την Dorel Netherlands. Είμαστε καταχωρημένοι στην Ολλανδία με αριθμό εταιρείας 17060920. Η διεύθυνση της εταιρείας είναι: Korendijk 5, 5704 RD Helmond, The Netherlands, και η ταχυδρομική μας διεύθυνση είναι P.O. Box 6071, 5700 ET Helmond, The Netherlands.

Τα ονόματα και οι διευθύνσεις άλλων θυγατρικών του ομίλου Dorel μπορούν να βρεθούν στην τελευταία σελίδα του παρόντος εγχειριδίου και στην ιστοσελίδα μας για τη μάρκα που σας



ενδιαφέρει.

(1) Προϊόντα που αγοράστηκαν από καταστήματα λιανικής πώλησης ή από αντιπροσώπους που αφαιρούν ή αλλάζουν τις ετικέτες ή τους αριθμούς αναγνώρισης δεν θεωρούνται εγκεκριμένα. Προϊόντα που αγοράστηκαν από μη εξουσιοδοτημένα καταστήματα λιανικής επίσης δεν θεωρούνται εγκεκριμένα. Αυτά τα προϊόντα δεν καλύπτονται από εγγύηση, καθώς δεν είναι εφικτή η διαπίστωση της γνησιότητάς τους.





TR

GÜVENLİK



Ana Kucağı 0M - 6M/9kg

Ürünlerimiz, bebeğinizin emniyeti ve konforu için dikkatle tasarlanmış ve test edilmiştir. EN 12790:2009.

UYARI:

- Asla çocuğunuzu gözetimsiz bırakmayın.
- Bu ana kucağı çocuğunuz yardımsız oturabilir duruma geldiğinde artık kullanmayın.
- Bu ana kucağı uzun süre uyumak için yapılmamıştır.
- Bu ana kucağının yüksek bir yüzey üzerinde kullanılması tehlikelidir, örn. masa.
- Her zaman çocuk emniyet sistemini kullanın.

- Ana kucağını taşımak için asla oyun çubuğunu kullanmayın.

İlave bilgiler

1. Bu ana kucağı 0 aylık tan 9 kg'a kadar olan çocuklar içindir.
2. Bu ana kucağı portbebe veya yatak yerine geçmez. Çocuğunuzun uyuması gerektiğinde, uygun bir portbebe veya yatağa yatırılmalıdır.
3. Ana kucağını herhangi bir parçası kırık, yırtık veya eksikse kullanmayın.
4. Üreticinin tavsiye ettiklerinin dışındaki aksesuar ve yedek parçaları kullanmayın. Başka aksesuarların kullanılması tehlikeli olabilir.



Mama Sandalyesi 6M - 36M/15kg

Ürünlerimiz, bebeğinizin emniyeti ve konforu için dikkatle tasarlanmış ve test edilmiştir. EN14988:2017+A1:2020. - Çocuk mama sandalyeleri.

TR

UYARI:

- Asla çocuğunuzu gözetimsiz bırakmayın.
- Daima emniyet kemeri sistemini kulla.
- Düşme tehlikesi: Çocuğunuzun ürüne tırmanmasını engelleyin.
- Tüm parçalar doğru şekilde takılıp ayarlanmadığı takdirde ürünü kullanmayın.
- Ürünün yakınındaki açık ateş ve diğer güçlü ısı kaynakları tehlikesine karşı daima çok dikkatli olun.
- Çocuğunuz ayaklarıyla bir masayı veya başka bir yapıyı ittiğinde meydana gelebilecek devrilme tehlikesine karşı daima çok dikkatli olun.

İlave bilgiler

1. Çocuk yardımsız oturabilir hale gelene kadar ürünü kullanmayın;
2. Herhangi bir parçası kırık, yırtık veya eksikse ürünü kullanmayın;
3. Lütfen yaralanmaları önlemek için ürünü katlarken veya açarken çocukları uzakta tutun;
4. Bu Mama Sandalyesi yardımsız oturabilen ve 3 yaşına ya da 15 kg'a kadar olan çocuklar içindir.



Çocuk taburesi 3Y - 14Y/60kg

Ürünlerimiz, bebeğimizin emniyeti ve konforu için dikkatle tasarlanmış ve test edilmiştir.
EN 17191: 2021 Çocuklar için oturma.

UYARI:

- Asla çocuğunuzu gözetimsiz bırakmayın.
- Çocuk tarafından basamak olarak kullanılabileceği ve çocuğın camdan düşmesine



TR

neden olabileceği için bu ürünü pencere yakınına KOYMAYIN.

- Ürünün yakınında açıkta yanan ateşin ve diğer güçlü ısı kaynaklarının yaratacağı riskin farkında olun.
- Bu ürünü, jaluzi veya perde kordonlarının çocuğu boğma riskinin bulunduğu pencerelerin yakınına KOYMAYIN.

İlave bilgiler

1. Bu oturma yeri, 7 yaşın altındaki yardımcı olmadan yürüeyibilen ve oturabilen çocuklar için tasarlanmıştır.
2. Tüm montaj parçaları her zaman düzgün şekilde sıkılmalıdır
3. Herhangi bir parça kırılmış, yırtılmış veya eksikse oturağı kullanmayın ve sadece üretici tarafından onaylanmış yedek parçaları kullanın
4. Ürün oturma yeri olarak kullanıldığında, emniyet sistemi çıkarılacak / gizlenecek / kapatılacaktır (uygun olduğu şekilde).



Yetişkin sandalye 14Y+ / 110kg

Ürünlerimiz, güvenlik ve rahatlık sağlamak için özenle tasarlanmış ve test edilmiştir. EN12520:2016.



Ürün bakım önerisi

- Tam memnuniyet için ürün düzenli olarak bakıma tabi tutulmalıdır. Her on beş günde bir mekanik parçaların kontrol edilmesini ve gerekiyorsa temizlenmesini öneririz.
- Güç bir şekilde katlaması veya açılması durumunda zorlamayın. Ürünü temizleyin. Güçlük devam ederse, tedarikçinizle temasa geçin.
- Bakım: Sünger ve yumuşak bir sabun kullanın. Deterjan kullanmayın.
- Kumaşı yıkarken, lütfen talimat etiketine bakın.

Çevre

Bu ürünü artık kullanmayacağınızda çevreyi

korumak amacıyla ürünü yerel kurallara uygun olarak çöp çeşidine göre ayırarak atmanızı rica ederiz.

Sorular

Lütfen ülkenizdeki distribütörü ile temas kurun veya web sitemizi ziyaret edin.Bunu yaparken lütfen aşağıdaki bilgileri hazır tutun:

- Seri numarası
- Çocuğunuzun yaşı (boyu) ve kilosu.

Taşıma ve Nakliye Esnasında Dikkat Edilmesi

Gereken Hususlar:

Ürün orijinal ambalaj/kolisinde muhafaza edilmektedir. Satın aldığınız ürünün orijinal kolisi ile birlikte aracınıza teslim edilmesini istiyorsanız, ürünün orijinal ambalajının/ kolisinin kapalı ve hasar görmemiş olduğundan emin olunuz. Ürünler nakliye ve taşıma esnasında kutu üzerinde belirtilen taşıma yönü dikkate alınarak taşınmalıdır. Ürünleri yüksek dereceli sıcaklıklardan, ateşten ve darbelerden koruyunuz, ıslak ve rutubetli ortamlarda muhafaza etmeyiniz.

Garanti

24 aylık garantimiz tasarım, mühendislik, üretim ve ürün performansımızın kalitesine olan güvenimizi yansıtmaktadır. Bu ürünün, bu ürün için geçerli olan Avrupa güvenli gereksinimleri ve kalite standartlarına uygun olarak ürettiğini ve satın alındığı tarihte malzeme ve işçilik açısından kusuru olmadığını garanti ederiz. Burada belirtilen koşullar altında, bu garanti bu ürünün Dorel Grup şirketlerinden biri, yetkili ithalatçısı veya onların anlaşmalı bayisi tarafından satıldığı ülkelerdeki tüketiciler tarafından talep edilebilir.

24 aylık garantimiz normal koşullarda ve kullanım kılavuzuna uygun olarak kullanıldığında, ilk son kullanıcı tarafından orijinal satın alım tarihinden itibaren 24 aylık süre boyunca, malzeme ve işçilik açısından tüm üretim kusurlarını kapsamaktadır. Malzeme ve işçilik açısından kusurlara karşı garanti kapsamında onarım veya yedek parça talep etmek için, servis talebinden önceki 24 ay içinde ürünün alındığını gösteren satın alma belgesi ile yetkili ithalatçı garanti



belgesi ibraz edilmelidir.
24 aylık garanti süremiz, normal aşınma ve yıpranma, kazalar, yanlış kullanım, ihmal, yangın, sıvıyla temas veya başka bir dış neden, kullanım kılavuzuna uyulmaması, başka bir ürün ile birlikte kullanma, bizim tarafımızdan yetkilendirilmemiş biri tarafından yapılan servis sonucunda oluşan hasarları veya ürünün çalınması, herhangi bir etiket ya da kimlik numarasının üründen çıkarılması veya değiştirilmesi durumlarını kapsamaktadır. Normal yıpranma ve aşınma ile, düzenli kullanım sonucu aşınan tekerlekler ve kumaları, ürünün normal şekilde eskimesi nedeniyle renk ve malzemelerdeki doğal deformasyonu kast edilmektedir.

Ürünün ayıplı olduğunun anlaşılması durumunda tüketici, 6502 sayılı Tüketicinin Korunması Hakkında Kanununun 11. Maddesinde yer alan; Sözleşmeden dönme, Satış bedelinden indirim isteme, Ücretsiz onarılmasını isteme, Satılanın ayıpsız bir misli ile değiştirilmesini isteme, haklarından birini kullanabilir. Tüketiciler ürün ile ilgili şikayet ve itiraz konusunda başvurularını tüketici

mahkemelerine ve ikamet ettiği ilçe tüketici hakem heyetlerine yapabilirler.

Arızalı veya kusurlu ürün durumunda ne yapılmalıdır:

Sorun veya arızaların ortaya çıkması halinde, iletişime geçeceğimiz ilk nokta yetkili ithalatçı veya bizim onayladığımız bir perakende satıcıdır. Yetkili Bayi ve ithalatçımız 24 aylık garanti süresini sağlamaktadır⁽¹⁾. Servis talebinden önceki 24 ay içinde ürünü satın aldığınızı gösteren belgeyi ve yetkili ithalatçı garanti belgesini ibraz etmelisiniz. Servis talebiniz için [marka] ithalatçı servisimizden ön onay almanız işleminizi kolaylaştıracaktır. Bu garanti kapsamında geçerli bir talepte bulunmanız durumunda, sizden ürünüüzü yetkili ithalatçıya veya bizim onayladığımız bir perakende satıcıya teslim etmenizi ya da ürünü talimatlarımıza uygun şekilde bize göndermenizi isteyebiliriz. Tüm talimatlara uyulması şartıyla, kargo ücretleri tarafımızca karşılanacaktır. Garanti ve müşterinin yasal hakları kapsamında olmayan hasarlar ve kusurlar veya ürünlere, makul bir ücret karşılığında hizmet sağlanır.



Tüketicinin hakları:

Bir tüketicinin, ülkeden ülkeye farklılık gösteren geçerli tüketici yasasına göre yasal hakları vardır. Geçerli ulusal yasalara tabi olan tüketicinin hakları bu garantiden etkilenmez.

Bu garanti Hollanda'da 17060920 şirket numarası ile kayıtlı Dorel Netherlands tarafından verilmektedir. Ticari adresimiz Korendijk 5, 5704 RD Helmond, Hollanda, ve posta adresimiz ET Helmond, Hollanda'dır.

Dorel grubunun diğer bağlı kuruluşlarının isim ve adres bilgileri, bu kılavuzun en son sayfasında ve ilgili markayla ilgili web sitemizde bulunabilir.

(1) Etiketleri veya tanımlama numaralarını kaldıran veya değiştiren tedarikçi veya bayilerden satın alınan ürünler onaysız olarak değerlendirilecektir. Yetkisiz tedarikçilerden alınan ürünler de onaysız olarak değerlendirilir. Bu ürünlerin orijinalliği doğrulanmadığı için garanti verilmemektedir.



PL

BEZPIECZEŃSTWO



Kołyska odchylana dla dzieci, 0M - 6M/9kg

Nasze produkty zostały starannie zaprojektowane i sprawdzone, aby zapewnić dziecku bezpieczeństwo i wygodę. EN 12790:2009.

OSTRZEŻENIE:

- Nigdy nie zostawiaj dziecka bez opieki.
- Nie należy używać odchylanej kołyski, gdy dziecko potrafi już samodzielnie siedzieć.
- Ta odchylana kołyska nie nadaje się do dłuższych drzemek.
- Używanie odchylanej kołyski na podwyższonej powierzchni, np. na stole, jest niebezpieczne.
- Należy zawsze używać systemu zapięcia dla dziecka.

- Nigdy nie używać drążka na zabawki do przenoszenia odchylanej kołyski.

Informacje dodatkowe

1. Niniejsza odchylana kołyska jest przeznaczona dla dzieci od chwili narodzin (0 miesięcy) do uzyskania wagi 9 kg.
2. Odchylana kołyska nie zastępuje łóżeczka ani łóżka. Jeśli dziecko musi spać, należy je umieścić w odpowiednim łóżeczku lub łóżku.
3. Nie używać odchylanej kołyski, jeśli którykolwiek z jej elementów jest uszkodzony lub go brakuje.
4. Nie używać akcesoriów ani części zamiennych innych niż zatwierdzone przez producenta. Używanie innych akcesoriów może być niebezpieczne.



Wysokie krzeselko dla dzieci, 6M - 36M/15kg

Nasze produkty zostały starannie zaprojektowane i sprawdzone, aby zapewnić dziecku bezpieczeństwo i wygodę.



PL

EN14988:2017+A1:2020. – Wysokie krzeselka dla dzieci.

OSTRZEŻENIE:

- Nigdy nie zostawiaj dziecka bez opieki.
- Zawsze korzystaj z fotelika.
- Niebezpieczeństwo upadku: Uniemożliwić dziecku wspinanie się na produkt.
- Nie używać produktu, jeśli wszystkie elementy nie są prawidłowo zmontowane i wyregulowane.
- Uważać na zagrożenie stwarzane przez otwarty ogień i inne źródła wysokich temperatur w pobliżu produktu.
- Uważać na zagrożenie przechylenia, gdy dziecko może oprzeć się stopami o stół lub jakąkolwiek inną konstrukcję.

Informacje dodatkowe

1. Nie wolno używać produktu, dopóki dziecko nie będzie mogło siedzieć samodzielnie;
2. Nie wolno używać produktu, jeśli jakkolwiek jego część jest uszkodzona, rozdarta lub jej brakuje;
3. Nie zezwalać na zbliżanie się dzieci podczas rozkładania i składania produktu, aby uniknąć obrażeń;
4. To wysokie krzeselko jest przeznaczone dla dzieci siedzących bez pomocy, w wieku do 3 lat lub o maksymalnej wadze 15 kg.



Stołek dziecięcy, 3Y - 14Y/60kg

Nasze produkty zostały starannie zaprojektowane i sprawdzone, aby zapewnić dziecku bezpieczeństwo i wygodę.
EN 17191: 2021 Siedzenia dla dzieci.

OSTRZEŻENIE:

- Nigdy nie zostawiaj dziecka bez opieki.



PL

- **ZABRANIA SIĘ** ustawiania produktu blisko okna, ponieważ dziecko mogłoby się po nim wspiąć i wypaść przez okno.
- Należy zdawać sobie sprawę z ryzyka, jakie stwarza otwarty ogień lub inne źródła wysokiej temperatury, gdy produkt znajduje się w ich pobliżu.
- **ZABRANIA SIĘ** ustawiania produktu blisko okna, jeśli istnieje ryzyko, że dziecko może się udusić sznurkami od rolet lub zasłon.

Informacje dodatkowe

1. To siedzenie jest przeznaczone dla dzieci w wieku poniżej 7 lat, które mogą chodzić i siedzieć bez pomocy.
2. Wszystkie mocowania montażowe powinny być zawsze odpowiednio dokręcone
3. Nie używaj siedzenia, jeśli jakkolwiek część jest uszkodzona, rozdarta lub jej brakuje i używaj tylko części zamiennych

zatwierdzonych przez producenta

4. Urządzenie przytrzymujące należy zdjąć / ukryć / zakryć (w stosownych przypadkach), gdy produkt jest używany jako siedzisko.



Krzesło dla dorosłych 14Y+ / 110kg

Nasze produkty zostały starannie zaprojektowane i przetestowane, aby zapewnić bezpieczeństwo i komfort. EN12520:2016.



Porada dotycząca pielęgnacji produktu

- Aby uzyskać pełne zadowolenie z produktu, należy dbać o jego regularną konserwację. Zalecamy sprawdzanie czystości i w razie konieczności czyszczenie części mechanicznych co 2 tygodnie.
- Nie należy na siłę składać lub rozkładać wózka. Wyczyścić wózek. Jeżeli trudności się utrzymują, należy skontaktować się ze sprzedawcą.

Maxi-Cosi | Nesta | 133



PL

- Czyszczenie: Za pomocą gąbki i łagodnego mydła. Nie należy stosować detergentu.
- Sposób czyszczenia tkanin podano na metrze.

Środowiska

Ze względu na kwestie ochrony środowiska po zaprzestaniu użytkowania niniejszego produktu prosimy o właściwe jego zutylizowanie zgodnie z lokalnymi regulacjami prawnymi.

Pytania

Prosimy o kontakt z najbliższym dystrybutorem lub odwiedzenie naszej strony internetowej. Należy pamiętać o następujących informacjach:

- Numer seryjny
- Wiek (wzrost) i masę ciała dziecka.

Gwarancja

Udzielamy 24-miesięcznej gwarancji, odzwierciedlającej zaufanie, które mamy do jakości naszych projektów, procesu technologicznego, produkcji oraz wykonania produktów. Gwarantujemy, że ten produkt

został wyprodukowany zgodnie z aktualnymi wymogami europejskich norm bezpieczeństwa i jakości, które mają do niego zastosowanie, a także że w chwili zakupu produkt jest wolny od wad wykonania i materiałowych. Na mocy postanowień zawartych w niniejszym dokumencie, gwarancja może być wykorzystywana przez konsumentów w krajach, w których ten produkt jest sprzedawany przez podmiot zależny Dorel Group lub przez autoryzowanego dealera bądź sprzedawcę.

Nasza 24-miesięczna gwarancja obejmuje wszelkie wady produkcyjne w zakresie materiałów i robocizny, pod warunkiem, że produkt jest użytkowany w normalnych warunkach i zgodnie z naszą instrukcją obsługi, w okresie 24 miesięcy od dnia pierwotnego zakupu przez pierwszego użytkownika końcowego. Przejmujemy odpowiedzialność za naprawę lub wymianę produktu dotkniętego wadą objętą gwarancją, z tym zastrzeżeniem, że o wyborze sposobu usunięcia wady i rozpatrzenia zgłoszenia decyduje gwarant.



Nasza 24-miesięczna gwarancja nie obejmuje uszkodzeń spowodowanych normalnym użytkowaniem, przypadkowych zniszczeń, niewłaściwego użytkowania, szkód wynikających z zaniedbania, wywołanych ogniem, kontaktem z cieczą lub innych przyczyn zewnętrznych, nieprzestrzegania instrukcji użytkowania, używania z innym produktem, serwisowania produktu przez osobę, która nie została przez nas upoważniona lub przypadków kradzieży produktu oraz jeśli jakkolwiek etykieta lub numer identyfikacyjny zostanie zmieniony lub usunięty z produktu. Przykłady normalnego zużycia to m.in. zużycie kół i tkaniny spowodowane regularnym użytkowaniem, a także naturalna utrata kolorów oraz pogorszenie jakości materiałów, wynikających z normalnego starzenia się produktu.

Co zrobić w przypadku wykrycia wad:

W razie pojawienia się problemów lub wad zalecamy kontakt z najbliższym autoryzowanym punktem serwisowym lub sprzedawcą marki upoważnionym przez naszą firmę, który jest zobowiązany do

przestrzegania naszej 24-miesięcznej gwarancji⁽¹⁾. Należy przedstawić dowód zakupu, którego dokonano w ciągu 24 miesięcy poprzedzających zgłoszenie serwisowe. Najlepiej jeżeli żądanie naprawy zostanie wstępnie zatwierdzone przez Dział serwisowy naszej firmy. W przypadku gdy zaistnieje konieczność wysłania produktu do punktu serwisowego, należy zwrócić produkt do autoryzowanego punktu serwisowego lub sprzedawcy lub do Działu serwisowego naszej firmy, uzgadniając sposób wysyłki i jego koszty z punktem serwisowym, ponieważ w przypadku braku takiego uzgodnienia gwarant może odmówić pokrycia kosztów przesyłki. Uszkodzenia i/lub wady, których nie obejmuje nasza gwarancja lub prawa konsumenta, i/lub uszkodzenia, i/lub wady produktu nieobjęte naszą gwarancją mogą być usunięte za uzasadnioną opłatą.

Prawa konsumenta:

Konsument ma prawo, zgodnie z odpowiednim ustawodawstwem, które może różnić się w zależności od kraju. Niniejsza gwarancja nie ma wpływu na prawa



konsumenta podlegające odpowiedniemu ustawodawstwu krajowemu.

Niniejsza gwarancja została przygotowana przez Dorel Netherlands. Firma jest zarejestrowana w Holandii pod numerem 17060920. Adres firmy to: Korendijk 5, 5704 RD Helmond, The Netherlands. Adres pocztowy to: P.O. Box 6071, 5700 ET Helmond, The Netherlands.

Nazwy i dane adresowe innych spółek zależnych grupy Dorel można znaleźć na ostatniej stronie instrukcji i na stronie internetowej danej marki.

(1) Produkty zakupione od sprzedawców detalicznych lub dealerów z usuniętymi albo zmienionymi etykietami lub numerami identyfikacyjnymi uważane są za nieautoryzowane. W związku z tym, że autentyczność takich produktów nie może być ustalona, gwarancja ich nie obejmuje.



RU

БЕЗОПАСНОСТЬ



Люлька-качалка до 0М – 6М/9кг

Наша продукция разработана и тщательно испытана для обеспечения безопасности и комфорта вашего ребенка. EN 12790: 2009.

ВНИМАНИЕ:

- Никогда не оставляйте ребенка без присмотра.
- Не используйте люльку-качалку, если ваш ребенок может сидеть без посторонней помощи.
- Эта люлька-качалка не предназначена для длительного сна.
- Опасно использовать эту люльку-качалку на возвышении, например, на столе.

- Всегда используйте систему пассивной безопасности.
- Никогда не используйте поперечину для игрушек в качестве ручки для переноски люльки-качалки.

Дополнительная информация

1. Эта люлька-качалка предназначена для детей от 0 месяцев и до веса 9 кг.
2. Эта люлька-качалка не заменяет детскую кроватку или кровать. Если вашему ребенку нужно спать, его следует положить в подходящую детскую кроватку или кровать.
3. Не используйте люльку-качалку, если какие-либо части сломаны или отсутствуют.
4. Не используйте аксессуары или запасные части, не одобренные производителем. Использование таких аксессуаров может быть опасным.



RU



Детский стульчик до 6М – 36М/15kg

Наша продукция разработана и тщательно испытана для обеспечения безопасности и комфорта вашего ребенка. EN14988:2017+A1:2020.– Высокие детские стулья.

ВНИМАНИЕ:

- Никогда не оставляйте ребенка без присмотра.
- Всегда используйте удерживающую систему.
- Опасность падения: не позволяйте ребенку забираться на изделие.
- Не используйте изделие, если все компоненты не установлены и адекватно не отрегулированы.
- Помните об опасности со стороны открытого

огня и других источников сильного тепла в непосредственной близости от изделия.

- Помните о риске опрокидывания, если ваш ребенок может оттолкнуться ногами от стола или любой другой конструкции.

Дополнительная информация

1. Не используйте изделие, пока ребенок не сможет сидеть без посторонней помощи.
2. Не используйте изделие, если какая-либо часть сломана, порвана или отсутствует.
3. Пожалуйста, держите детей на расстоянии при раскладывании и складывании изделия, чтобы избежать травм.
4. Этот детский стульчик предназначен для детей, которые могут сидеть без посторонней



RU

помощи возрастом до 3 лет или до максимального веса 15 кг.



Детский табурет до 3Y – 14Y/60kg

Наша продукция разработана и тщательно испытана для обеспечения безопасности и комфорта вашего ребенка. EN 17191: 2021 Кресла для детей.

ВНИМАНИЕ:

- **Никогда не оставляйте ребенка без присмотра.**
- **ЗАПРЕЩАЕТСЯ размещать изделие рядом с окном, поскольку ребенок может использовать его как ступеньку, что может привести к его выпадению из окна.**
- **Помните об опасности открытого огня и других источников сильного**

тепла, находящихся в непосредственной близости от изделия.

- **ЗАПРЕЩАЕТСЯ размещать изделие возле окна, где шнуры от жалюзи или шторы могут стать причиной удушья ребенка.**

Дополнительная информация

1. Сиденье предназначено для детей до 7 лет, способных ходить и сидеть без посторонней помощи.
2. Все монтажные детали всегда должны быть затянуты должным образом.
3. Не используйте седло, если какая-либо часть сломана, порвана или отсутствует, и используйте только запасные части, одобренные производителем.
4. Удерживающая система должна быть удалена / спрятана / закрыта (если применимо), когда изделие используется в качестве сиденья.



RU



Стул для взрослых 14Y+ / 110kg

Наши продукты были тщательно разработаны и протестированы для обеспечения безопасности и комфорта. EN12520:2016.



Рекомендации по уходу за изделием

- Изделие необходимо регулярно обслуживать, чтобы обеспечить полную исправность. Мы рекомендуем проверять и при необходимости чистить механические детали каждые две недели.
- Не прилагайте усилий, если изделие туго складывается или раскладывается. Почистите изделие. Если проблемы сохраняются, обратитесь к поставщику.
- Уход: используйте губку и мягкое мыло. Не используйте моющее

средство.

- Указания по стирке частей из ткани см. на этикетке.

Окружающая среда

По окончании использования продукта следует утилизировать его в соответствии с местным законодательством по отдельной утилизации.

Вопросы

Обращайтесь к своему местному представителю или посетите наш веб-сайт. В данном случае имейте при себе следующую информацию:

- Серийный номер
- Возраст (рост) и вес вашего ребенка.

Гарантия

Наша двухлетняя гарантия свидетельствует о нашей уверенности в высоком качестве конструкции и исполнения наших изделий, а также в их эксплуатационных характеристиках. Мы гарантируем,



что это изделие произведено в соответствии с действующими в ЕС требованиями по безопасности и стандартами качества, применимыми к данной продукции. Также мы гарантируем отсутствие дефектов материала и сборки на момент покупки. В соответствии с условиями, указанными в этом документе, нашей гарантией могут воспользоваться потребители на территории тех стран, где они купили изделие, в случае приобретения непосредственно в филиале Группы Dorel или у авторизованного дилера или продавца.

Наша двухлетняя гарантия распространяется на весь производственный брак и дефекты материалов при условии нормальной эксплуатации изделия в соответствии с руководством пользователя на срок 24 месяца с даты первоначальной розничной покупки первым конечным потребителем. Для предоставления ремонта или запасных частей по

гарантии на дефекты материалов и сборки необходимо предъявить нам документ, подтверждающий покупку изделия не ранее чем за 24 месяца до даты запроса.

Наша двухлетняя гарантия не покрывает повреждения, причиненные изделию вследствие естественного износа, аварий, некорректного и ненадлежащего использования, беспечного обращения или несоблюдения руководства пользователя, повреждения вследствие использования совместно с другим изделием, повреждения, вызванные обслуживанием неуполномоченной третьей стороной, если этикетка или серийный номер был удален или изменен, а также в случае кражи. Примеры естественного износа включают истирание колес и ткани вследствие регулярного использования, естественное обесцвечивание, выход из строя материалов вследствие нормального старения.



RU

Порядок действий в случае обнаружения дефекта:

При обнаружении проблем или дефектов необходимо немедленно обратиться к официальному дилеру или розничному продавцу нашей продукции. Наша двухлетняя гарантия признается ими⁽¹⁾. От вас требуется предъявить документ, подтверждающий покупку не ранее чем за 24 месяца до обращения. Рекомендуется предварительно подтвердить запрос на обслуживание в нашей сервисной службе. В случае обоснованной претензии по данной гарантии мы можем попросить вас вернуть изделие уполномоченному нами местному дилеру или продавцу, или отправить его нам в соответствии с нашими инструкциями. Мы обязуемся оплатить транспортировку к нам и обратно, если будут выполнены все наши инструкции. Мы можем устранить повреждения и/или дефекты, которые не охватываются нашей гарантией и юридическими

правами потребителя, и/или отремонтировать изделия, которые не охватываются нашей гарантией, за разумную оплату.

Права потребителя:

Потребитель имеет законные права в соответствии с действующим законодательством, которое может отличаться от страны к стране. Настоящая гарантия не ограничивает права потребителя в соответствии с применимым национальным законодательством.

Нидерландов под номером 17060920. Наш фактический адрес: Korendijk 5, 5704 RD Helmond, The Netherlands (Нидерланды), наш почтовый адрес: P.O. Box 6071, 5700 ET Helmond, The Netherlands (Нидерланды).

Названия и адреса других дочерних компаний группы Dorel можно найти на последней странице данного руководства и на наших веб-сайтах соответствующих торговых марок.

(1) Продукты, приобретенные в розничных магазинах или у дилеров, которые удаляют



или меняют бирки и идентификационные номера, не попадают под действие настоящей Гарантии. Также под действие настоящей Гарантии не попадают изделия, приобретенные у неуполномоченных розничных продавцов. Гарантия на такие продукты не распространяется, поскольку невозможно подтвердить их подлинность.





UK

ТЕХНІКА БЕЗПЕКИ



Люлька–коліска до 0М – 6М/9kg

Наша продукція розроблена і ретельно випробувана для забезпечення безпеки і комфорту вашої дитини. EN 12790:2009.

ПОПЕРЕДЖЕННЯ:

- Ніколи не залишайте дитину без нагляду.
- Не використовуйте люльку–коліску, якщо ваша дитина може сидіти без сторонньої допомоги.
- Ця люлька–коліска не призначена для тривалого сну.
- Небезпечно використовувати цю люльку–коліску на узвишші, наприклад, на столі.
- Завжди використовуйте

систему пасивної безпеки.

- Ніколи не використовуйте поперечину для іграшок як ручку для перенесення люльки–коліски.

Додаткова інформація

1. Ця люлька–коліска призначена для дітей від 0 місяців і до ваги 9 кг.
2. Ця люлька–коліска не є заміною для дитячого ліжечка або ліжка. Якщо вашій дитині потрібно спати, її слід покласти в підходяще дитяче ліжечко або ліжко.
3. Не використовуйте люльку–коліску, якщо будь–які частини зламані або відсутні.
4. Не використовуйте аксесуари або запасні частини, не схвалені виробником. Використання таких аксесуарів може бути небезпечним.



Дитячий стільчик 6М – 36М/15kg

Наша продукція розроблена



UK

і ретельно випробувана для забезпечення безпеки і комфорту вашої дитини. EN14988:2017+A1:2020.
– Високі дитячі стільці.

ПОПЕРЕДЖЕННЯ:

- Ніколи не залишайте дитину без нагляду.
- Завжди використовуйте систему пасивної безпеки.
- Небезпека падіння: не дозволяйте дитині забиратися на виріб.
- Не використовуйте виріб, якщо всі компоненти не встановлені та адекватно не відрегульовані.
- Пам'ятайте про небезпеку з боку відкритого вогню та інших джерел сильного тепла в безпосередній близькості від виробу.
- Пам'ятайте про ризик перекидання, якщо

ваша дитина може відштовхнутися ногами від столу або будь-якої іншої конструкції.

Додаткова інформація

1. Не використовуйте виріб, поки дитина не зможе сидіти без сторонньої допомоги.
2. Не використовуйте виріб, якщо будь-яка частина зламана, порвана або відсутня.
3. Будь ласка, тримайте дітей на відстані при розкладанні та складанні виробу, щоб уникнути травм.
4. Цей дитячий стільчик призначений для дітей, які можуть сидіти без сторонньої допомоги віком до 3 років або до максимальної ваги 15 кг.



Дитячий табурет до 3У – 14У/60kg

Наша продукція розроблена і ретельно випробувана для забезпечення безпеки і комфорту



UK

вашої дитини. EN 17191: 2021 Сидіння для дітей.

ПОПЕРЕДЖЕННЯ:

- Ніколи не залишайте дитину без нагляду.
- **ЗАБОРОНЯЄТЬСЯ** розміщувати виріб поруч із вікном, оскільки дитина може використати його як сходинку, що може призвести до її випадання з вікна.
- Пам'ятайте про небезпеку відкритого вогню та інших джерел сильного тепла, що знаходяться у безпосередній близькості від виробу.
- **ЗАБОРОНЯЄТЬСЯ** розміщувати виріб біля вікна, де шнури від жалюзі або штори можуть спричинити удушення дитини.

Додаткова інформація

1. Це сидіння призначене для дітей, здатних ходити та сидіти без допомоги до 7 років.
2. Усі монтажні фітинги завжди повинні бути належним чином затягнуті
3. Не використовуйте сидіння, якщо якась деталь зламана, порвана або відсутня, і використовуйте лише запасні частини, дозволені виробником
4. Система утримання повинна бути знята / прихована / накрита (якщо застосовується), коли виріб використовується як сидіння.



**Крісло для дорослих
14Y+ / 110kg**

Наші продукти були ретельно розроблені та протестовані, щоб забезпечити безпеку та комфорт.
EN12520:2016.



UK



Рекомендації з догляду за виробом

- Виріб необхідно регулярно обслуговувати, щоб забезпечити повну справність. Ми рекомендуємо перевіряти і за необхідності чистити механічні деталі кожні два тижні.
- Не застосовуйте силу, якщо виріб туго складається або розкладається. Почистіть виріб. Якщо проблеми зберігаються, зверніться до постачальника.
- Догляд: використовуйте губку і м'яке мило. Не використовуйте миючий засіб.
- Вказівки з прання частин з тканини див. на етикетці.

Довкілля

З метою захисту довколишнього середовища, ми закликаємо після припинення використання виробу утилізувати його належним чином, згідно місцевого законодавства.

Питання

Будь ласка, звертайтеся до місцевого дистриб'ютора або завітайте на наш веб-сайт. Під час звернення знадобиться наступна інформація:

- Серійний номер
- Вік (зріст) та вага дитини.

Гарантія

Наша дворічна гарантія свідчить про нашу впевненість у високій якості проектування і виконання наших виробів, а також в їх експлуатаційних характеристиках. Ми гарантуємо, що цей виріб виготовлений у відповідності з чинними вимогами ЄС щодо безпеки і стандартами якості, застосовними до даної продукції. Також ми гарантуємо відсутність дефектів матеріалу і якість виготовлення виробу на момент купування. Відповідно до умов, зазначених у цьому документі, нашу гарантією можуть скористатися споживачі на території тих країн, де виріб був продан безпосередньо філією Групи Dorel



або їх авторизованим дилером або роздрібним продавцем.

Наша дворічна гарантія поширюється на весь виробничий брак і дефекти матеріалів за умови нормальної експлуатації виробу відповідно до інструкції користувача на строк 24 місяці з дати першої роздрібною покупкою першим кінцевим споживачем. Для надання ремонту або запасних частин по гарантії у зв'язку з дефектами матеріалів і якістю виготовлення необхідно пред'явити нам документ, що підтверджує покупку виробу, що була зроблена не раніше ніж за 24 місяця до звернення.

Наша дворічна гарантія не покриває наступних випадків: пошкодження, завдані виробу внаслідок природного зносу, аварії, некоректне, неналежне або недбале використання, недотримання інструкції користувача, пошкодження внаслідок використання спільно з іншим виробом,

пошкодження від обслуговування неуповноваженою третьою стороною, якщо етикетка або серійний номер був видалений або змінений, а також у разі крадіжки. Приклади природного зносу включають стирання коліс і тканини внаслідок регулярного використання, природне знебарвлення, вихід з ладу матеріалів внаслідок нормального старіння.

Порядок дій у разі виявлення дефекту:

При виявленні проблем або дефектів необхідно негайно звернутися до офіційного дилера або до роздрібною продавця нашої продукції. Наша дворічна гарантія визнається ними⁽¹⁾. Вам треба пред'явити документ, що підтверджує покупку не раніше ніж за 24 місяці до звернення (чек, гарантійний талон з відміткою магазину). Рекомендується попередньо підтвердити запит на обслуговування в нашій сервісній службі. У разі обґрунтованої претензії за цією гарантією ми можемо



попросити вас повернути виріб уповноваженому нами місцевому дилеру або продавцю, або відправити його нам відповідно до наших інструкцій. Ми зобов'язуємося оплатити транспортування до нас і назад, якщо будуть виконані всі наші інструкції. Ми можемо усунути пошкодження або відремонтувати вироби, які не охоплюються нашої гарантією, за розумну оплату.

Права споживача:

Споживач має законні права відповідно до чинного законодавства, яке може відрізнятися від країни до країни. Ця гарантія жодним чином не обмежує права споживача відповідно до чинного в країні законодавства.

Ця гарантія надається компанією Dorel, Нідерланди. Ми зареєстровані в торговому Реєстрі Нідерландів під номером 17060920. Наша фактична адреса: Korendijk 5, 5704 RD Helmond, The Netherlands (Нідерланди), наша поштова адреса:

P.O. Box 6071, 5700 ET Helmond,
The Netherlands (Нідерланди).

Назви і адреси інших дочірніх компаній групи Dorel можна знайти на останній сторінці цього посібника і на наших веб-сайтах відповідних торгових марок.

(1) Продукти, придбані в роздрібних магазинах або у дилерів, які видаляють або змінюють бирки і ідентифікаційні номери, не потрапляють під дію цієї Гарантії. Також під сферу застосування цієї Гарантії не потрапляють вироби, придбані у неуповноважених роздрібних продавців. Гарантія на такі продукти не поширюється, оскільки неможливо підтвердити їх достовірність.





HR

SIGURNOST



Ležaljka 0M - 6M/9kg

Naši su proizvodi pažljivo konstruirani i testirani kako bi se osigurala sigurnost i udobnost djeteta. EN 12790:2009.

UPOZORENJE:

- Nikada ne ostavljajte dijete bez nadzora.
- Ne upotrebljavajte kolijevku kada vaše počne samostalno sjediti.
- Ova kolijevka nije namijenjena za duža razdoblja spavanja.
- Opasno je kolijevku upotrebljavati na povišenoj površini, npr. stolu.
- Uvijek upotrebljavajte sustav sigurnosnog vezivanja.

- Nikada nemojte upotrebljavati prečku za igračke za nošenje kolijevke.

Dodatne informacije

1. Ova kolijevka namijenjena je djeci od 0 mjeseci do 9kg.
2. Ova kolijevka nije zamjena za dječji krevetić ili krevet. Ako Vaše dijete treba spavati, stavite ga u prikladan dječji krevetić ili krevet.
3. Ne upotrebljavajte kolijevku ako je bilo koji njen dio neispravan ili nedostaje.
4. Upotrebljavajte isključivo dodatke ili zamjenske dijelove odobrene od proizvođača. Upotreba drugih dodataka može biti opasna.



Visoka stolica 6M - 36M/15kg

Naši su proizvodi pažljivo konstruirani i testirani kako bi se osigurala sigurnost i udobnost djeteta. EN14988:2017+A1:2020.
– Dječje visoke stolice.



HR

UPOZORENJE:

- Nikada ne ostavljajte dijete bez nadzora.
- Uvijek upotrebljavajte sigurnosne pojase.
- Opasnost od pada: Spriječite dijete da se penje na proizvod.
- Ne upotrebljavajte proizvod ako svi njegovi dijelovi nisu ispravno postavljeni i podešeni.
- Budite svjesni opasnosti od otvorene vatre i drugih izvora velike topline u neposrednoj blizini proizvoda.
- Budite svjesni opasnosti od prevrtanja uslijed djetetova opiranja stopalima o stol ili neki drugi predmet.

Dodatne informacije

1. Ne upotrebljavajte proizvod dok dijete ne počne samostalno sjediti.
2. Ne upotrebljavajte proizvod ako je neki njegov dio slomljen, potrzan ili nedostaje.
3. Pobrinite se da dijete bude na sigurnoj udaljenosti prilikom rasklapanja i sklapanja proizvoda kako biste izbjegli ozljede;
4. Ova je visoka stolica namijenjena djeci koja mogu samostalno sjediti te djeci do 3 godine starosti ili maksimalne težine od 15 kg.



Dječja stolica 3Y - 14Y/60kg

Naši su proizvodi pažljivo konstruirani i testirani kako bi se osigurala sigurnost i udobnost djeteta. EN 17191: 2021 Sjedala za djecu.

UPOZORENJE:

- Nikada ne ostavljajte dijete bez nadzora.
- **NE POSTAVLJAJTE** ovaj proizvod blizu prozora jer ga dijete može



HR

upotrijebiti kao stepenicu i uzrokovati da dijete ispadne kroz prozor.

- Budite svjesni opasnosti od požara i drugih izvora jake topline u blizini proizvoda.
- **NE POSTAVLJAJTE** ovaj proizvod blizu prozora gdje užad s roleta ili zavjesa može zadaviti dijete.

Dodatne informacije

1. Ovo sjedalo namijenjeno je djeci koja mogu hodati i sjediti bez pomoći mlađa od 7 godina.
2. Svi montažni pribor uvijek treba pravilno zategnuti
3. Nemojte koristiti sjedala ako je bilo koji dio slomljen, poderan ili nedostaje i koristite samo rezervne dijelove koje je odobrio proizvođač
4. Sustav za zadržavanje mora se ukloniti / sakriti / pokriti (prema potrebi) kada se proizvod koristi kao sjedalo.



Stolica za odrasle 14Y+ / 110kg

Naši proizvodi su pažljivo dizajnirani i testirani kako bi osigurali sigurnost i udobnost.
EN12520:2016.



Savjeti o održavanju proizvoda.

- Proizvod je potrebno redovito održavati kako bi pružio potpuno zadovoljstvo. Savjetujemo vam da provjeravate i prema potrebi čistite mehaničke dijelove svakih četrnaest dana.
- Ne sklapajte/rasklapajte proizvod na silu ako njegovo sklapanje ili rasklapanje postane otežano. Očistite proizvod. Ako se poteškoće nastave, obratite se dobavljaču.
- Održavanje: Upotrijebite spužvu i blagi sapun. Ne upotrebljavajte deterđent.
- Za pranje presvlake pogledajte upute na etiketi.

Okoliš

Zbog zaštite okoliša, kada prestanete



s korištenjem ovog proizvoda, molimo deponirati proizvod na odgovarajuće mjesto za odlaganje otpada sukladno lokalnim propisima.

Upiti

Molimo kontaktirati svog lokalnog zastupnika ili posjetite naše internetske stranice. Prilikom toga molimo imajte sljedeće podatke pri ruci:

- Serijski broj
- Dob (visina) i težina Vašeg djeteta.

Jamstvo

Naše 24-mjesečno jamstvo odraz je našeg povjerenja u besprijekornu kvalitetu dizajna, idejnih rješenja, izvedbe i učinkovitosti naših proizvoda. Jamčimo da je ovaj proizvod proizveden u skladu s važećim europskim sigurnosnim zahtjevima i standardima kakvoće koji su primjenjivi na ovaj proizvod te da materijal od kojeg je sačinjen, kao i njegova izradba, nemaju nedostataka u trenutku kupnje. Prema ovdje spomenutim uvjetima, ovo jamstvo može biti aktivirano od strane potrošača u zemljama u kojima im je proizvod prodan od strane podružnice Dorel grupacije ili od strane ovlaštenog distributera ili trgovca.

Naše 24-mjesečno jamstvo pokriva greške proizvodnje u materijalu i izradi ako se proizvod koristio pri uobičajenim uvjetima u skladu s uputama za uporabu kroz razdoblje od 24 mjeseca od datuma kupnje prvog krajnjeg korisnika. Kako biste poslali zahtjev za popravak ili zamjenske dijelove za vrijeme trajanja jamstvenog razdoblja, morate predočiti dokaz o kupnji unutar prethodna 24 mjeseca.

Naše 24-mjesečno jamstvo ne pokriva oštećenja nastala uobičajenim habanjem, nezgodama, zlouporabom, nemarom, oštećenja uslijed požara, kontakta s tekućinama ili zbog drugih vanjskih utjecaja, ili nepoštivanjem uputa za uporabu, oštećenja nastala uporabom u kombinaciji s drugim proizvodom, oštećenja nastala uslijed servisiranja od strane neovlaštenih osoba, ili ako je proizvod ukraden ili ako je s proizvoda uklonjena ili izmijenjena etiketa ili bilo koji identifikacijski broj. Primjeri uobičajenog habanja i trošenja uključuju kotače i tkaninu istrošenu redovitom uporabom, kao i prirodnu razgradnju boje i materijala koja nastaje normalnim starenjem proizvoda.



HR

Kako postupiti u slučaju oštećenja:

Ako se pojavi problem ili oštećenje, najbolji i najbrži način je posjetiti vašeg ovlaštenog prodavača ili vašeg ovlaštenog distributera. Oni će prihvatiti naše 24-mjesečno jamstvo⁽¹⁾.

No, morate predložiti dokaz o kupnji s datumom koji nije stariji od 24 mjeseca do trenutka upućivanja zahtjeva za primjenu jamstva. Najlakši je način da vaš zahtjev bude prethodno odobren s naše strane. Ako je Vaš zahtjev osnovan prema ovom jamstvu, možemo od Vas zahtijevati da vratite proizvod ovlaštenom distributeru ili prodavaču koji je priznat s naše strane ili da proizvod pošaljete u skladu s našim uputama. Podmirit ćemo troškove isporuke te poštarinu za povrat robe ako slijedite sve naše upute. Šteta i/ili kvarovi koje ne pokrivaju naše jamstvo ili zakonska prava potrošača i/ili šteta i/ili kvarovi u svezi proizvoda na koje se ne odnosi naše jamstvo mogu se podmiriti u određenom razumnom iznosu.

Prava potrošača:

Potrošač ima prava prema važećim zakonima o potrošačima koji mogu varirati ovisno o državi. Ovo jamstvo ne utječe na prava potrošača

prema nacionalnom zakonodavstvu.

Ovo jamstvo daje Dorel Netherlands. Mi smo registrirani u Nizozemskoj pod brojem tvrtke 17060920. Naša poslovna adresa je Korendijk 5, 5704 RD Helmond, Nizozemska a naša poštanska adresa je P.O. Box 6071, 5700 ET Helmond, Nizozemska.

Imena i podaci o adresama drugih podružnica Dorel grupacije nalaze se na zadnjoj stranici ovog priručnika te na našim mrežnim stranicama za dotični brend.

(1) Proizvodi kupljeni od prodavača ili distributera koji su s proizvoda skinuli ili promijenili etikete ili identifikacijske brojeve smatraju se neovlaštenima. Proizvodi kupljeni od neovlaštenih prodavača smatraju se također neovlaštenima. Za takve proizvode jamstvo ne vrijedi jer se originalnost tih proizvoda ne može potvrditi.



SK

BEZPEČNOSŤ



Sklápacia kolíska OM - 6M/9kg

Naše výrobky boli starostlivo skonštruované a testované, aby sa zaistila bezpečnosť, ako aj pohodlie vášho dieťaťa. STN EN 12790:2009.

UPOZORNENIE:

- Nikdy nenechávajte dieťa bez dozoru.
- Nepoužívajte sklápaciu kolísku, ak už vaše dieťa dokáže samostatne sedieť.
- Táto sklápacia kolíska nie je určená na dlhodobejší spánok.
- Túto sklápaciu kolísku je nebezpečné používať na vyvýšených plochách, ako je napr. stôl.
- Vždy používajte záchytný systém.

- Sklápaciu kolísku nikdy neprenášajte pomocou tyče na hračky.

Dodatočné informácie

1. Táto sklápacia kolíska je určená pre deti vo veku od 0 mesiacov a do hmotnosti 9 kg.
2. Táto sklápacia kolíska nenahrádza postieľku ani posteľ. Ak dieťa potrebuje spánok, mali by ste ho preložiť do vhodnej postieľky alebo posteľe.
3. Sklápaciu kolísku nepoužívajte, ak je akákoľvek jej časť poškodená alebo chýba.
4. Používajte iba doplnky alebo náhradné diely, ktoré boli schválené výrobcom. Používanie iných doplnkov môže byť nebezpečné.



Vysoká stolička 6M - 36M/15kg

Naše výrobky boli starostlivo skonštruované a testované, aby sa zaistila bezpečnosť, ako aj pohodlie vášho dieťaťa. EN14988:2017+A1:2020. – Detské vysoké stoličky.



SK

UPOZORNENIE:

- Nikdy nenechávajte dieťa bez dozoru.
- Používajte vždy upevňovací systém.
- Riziko pádu: Zabráňte, aby vaše dieťa vyliezlo na výrobok.
- Nepoužívajte výrobok, pokiaľ nie sú všetky komponenty správne namontované a nastavené.
- Vezmite na vedomie riziko otvoreného ohňa a iných zdrojov vysokých teplôt v blízkosti výrobku.
- Vezmite na vedomie riziko prevrátenia v prípade, že sa vaše dieťa dokáže nohami odtlačiť od stola alebo akéhokoľvek iného predmetu.

Dodatočné informácie

1. Nepoužívajte výrobok, ak sa vaše dieťa nedokáže bez pomoci posadiť;
2. Nepoužívajte výrobok, ak je akákoľvek časť zlomená, roztrhaná alebo ak chýba;
3. Pri rozkladaní a skladaní výrobku udržiajte deti v bezpečnej vzdialenosti, aby sa predišlo zraneniam;
4. Táto vysoká stolička je určená pre deti do 3 rokov alebo s hmotnosťou maximálne 15 kg, ktoré sa dokážu bez pomoci posadiť.



Detická stolička bez opierky 3Y - 14Y/60kg

Naše výrobky boli starostlivo skonštruované a testované, aby sa zaistila bezpečnosť, ako aj pohodlie vášho dieťaťa. EN 17191: 2021 Sedenie pre deti.

UPOZORNENIE:

- Nikdy nenechávajte dieťa bez dozoru.
- NEUMIESTŇUJTE tento výrobok do blízkosti okien. Dieťa ho môže



použiť ako stúpadlo a vypadnúť z okna.

- Majte na pamäti riziká súvisiace s otvoreným ohňom a ďalšími zdrojmi intenzívneho tepla v blízkosti výrobku.
- **NEUMIESTŇUJTE** tento výrobok do blízkosti okien, kde by sa dieťa mohlo uskrtiť na šnúrach zo žalúzií či závesov.

Dodatočné informácie

1. Toto sedenie je určené pre deti schopné chodiť a sedieť bez pomoci do 7 rokov.
2. Všetky montážne armatúry by mali byť vždy správne utiahnuté
3. Nepoužívajte sedadlo, ak je niektorá časť rozbitá, roztrhnutá alebo chýba, a používajte iba náhradné diely schválené výrobcom
4. Ak sa výrobok používa ako sedadlo, zadržiavací systém sa odstráni / skryje / zakryje (ak je to vhodné).



Stolička pre dospelých 14Y+ / 110kg

Naše produkty boli starostlivo navrhnuté a testované, aby zaistili bezpečnosť a pohodlie. EN12520:2016.



Poradenstvo v oblasti starostlivosti o produkty

- Aby výrobok poskytoval plnohodnotný úžitok, treba vykonávať jeho pravidelnú údržbu. Odporúčame vám každé dva týždne vykonávať kontrolu mechanických častí a v prípade potreby ich vyčistiť.
- Ak je skladanie alebo rozkladanie náročnejšie, nepoužívajte silu. Vyčistite výrobok. Ak ťažkosti pretrvávajú, kontaktujte dodávateľa.
- Údržba: Používajte špongiu a jemné mydlo. Nepoužívajte čistiaci prostriedok.
- Pri čistení návleku sa riad'te pokynmi na štitku.



SK

Životné prostredie

Chráňte životné prostredie a po skončení používania výrobku ho odstráňte do určených zberných kontajnerov v súlade s miestnou legislatívou.

Otázky

Prosím kontaktujte svojho miestneho distribútora alebo navštívte naše webové stránky. Pripravte si prosím nasledujúce údaje:

- Sériové číslo
- Vek (výška) a váha dieťaťa.

Záruka

Naša 24 mesačná záruka je prejavom nášho presvedčenia o najvyššej kvalite nášho dizajnu, inžinierstva, výroby a výkonu produktu.

Ručíme za to, že tento produkt bol vyrobený v súlade so súčasnými Európskymi požiadavkami na bezpečnosť a štandardami kvality, ktoré sa vzťahujú na tento produkt a že v čase kúpy tento produkt neobsahuje chyby v materiáloch a v prevedení. Za podmienok uvedených v tomto dokumente sa spotrebiteľia môžu dovoliavať tejto záruky v krajinách, kde bol tento výrobok predávaný dcérskou

spoločnosťou skupiny Dorel, autorizovaným dílerom alebo predajcom.

Naša 24 mesačná záruka pokrýva akékoľvek výrobné chyby v materiáloch a v prevedení, ak sa produkt používa pri normálnych podmienkach a v súlade s našim návodom na používanie po dobu 24 mesiacov od dátumu pôvodného maloobchodného nákupu prvým koncovým zákazníkom. Pri žiadosti o opravu alebo náhrady súčiasok na základe záruky pri chybách v materiáloch a v prevedení musíte mať doklad o kúpe vykonanej v rámci 24 mesiacov pred žiadosťou o opravu.

Naša 24 mesačná záruka sa nevzťahuje na chyby spôsobené bežným opotrebením, škody spôsobené nehodami, zneužitím, nedbalosťou, požiarom, kontaktom s kvapalinou či inými vonkajšími príčinami, škody, ktoré sú dôsledkom nedodržania užívateľskej príručky, poškodenia spôsobené použitím s iným produktom, škody spôsobené opravami, ktoré nepovoľujeme, alebo v prípade, že je výrobok odcudzený alebo ak bolo odstránené, alebo zmenené označenie alebo identifikačné číslo z výrobku. Príklady bežného opotrebenia sú kolesá a textilie



opotrebované pri pravidelnom používaní a prirodzené čínenie farieb a materiálov, z dôvodu normálneho starnutia výrobku.

Čo robiť v prípade chýb:

Ak nastanú problémy alebo chyby, vašou najlepšou voľbou je autorizovaný diler alebo nami uznaný predajca. Našu 24 mesačnú záruku vám uznajú⁽¹⁾. Musíte mať doklad o kúpe vykonanej v rámci 24 mesiacov pred žiadosťou o opravu. Ak podáte platnú reklamáciu v rámci tejto záruky, môžeme požiadať, aby ste vrátili váš výrobok autorizovanému predajcovi alebo nami uznanému predajcovi, alebo aby ste nám výrobok zaslali v súlade s našimi pokynmi. Ak dodržíte všetky inštrukcie zaplatíme za prepravu a spätočnú dopravu. Poškodenia a/alebo chyby, na ktoré sa nevzťahuje naša záruka ani zákonné práva spotrebiteľa a/alebo poškodenia a/alebo chyby, pokiaľ ide o výrobky, ktoré nie sú zahrnuté v našej záruke, môžu byť riešené za primeraný poplatok.

Práva spotrebiteľa:

Spotrebiteľ má zákonné právo v súlade s platnými právnymi predpismi pre spotrebiteľov, ktoré sa môže líšiť od krajiny ku krajine. Právo

spotrebiteľa podľa platných vnútroštátnych právnych predpisov nie je ovplyvnené touto zárukou.

Táto záruka je poskytovaná firmou Dorel Netherlands. Sme registrovaní v Holandsku pod číslom spoločnosti 17060920. Naša obchodná adresa je Korendijk 5, 5704 RD Helmond, Holandsko, a naša poštová adresa je PO Box 6071, 5700 ET Helmond, Holandsko.

Mená a adresy ďalších dcérskych spoločností skupiny Dorel nájdete na poslednej strane tohto návodu a na našich webových stránkach pre danú značku.

(1) Produkty zakúpené od predajcov alebo obchodných zástupcov, ktorí odstránia alebo zmenia značenia alebo identifikačné čísla, sa považujú za neoprávnené. Na tieto produkty sa záruka nevzťahuje, keďže sa pravosť týchto produktov nedá overiť.





BG

БЕЗОПАСНОСТ



Наклонена люлка 0М – 6М/9kg

Нашите изделия са внимателно проектирани и тествани, за да осигурят безопасността и комфорта на Вашето дете. EN 12790 2009.

ПРЕДУПРЕЖДЕНИЕ:

- Никога не оставяйте детето без надзор.
- Не използвайте наклонената люлка, когато детето ви може да седи без чужда помощ.
- Тази наклонена люлка не е предназначена за продължителни периоди сън.
- Опасно е да използвате тази наклонена люлка върху издигната

повърхност, например върху маса.

- Винаги използвайте системата за обезопасяване.
- Никога не използвайте лентата за играчки за пренасяне на наклонената люлка.

Допълнителна информация

1. Тази наклонена люлка е проектирана за деца на възраст от 0 месеца и до 9 кг.
2. Тази наклонена люлка не замества детско креватче или легло. Ако детето ви има нужда да поспи, трябва да го сложите в подходящо детско креватче или легло.
3. Не използвайте наклонената люлка, ако някои части липсват или са счупени.
4. Използвайте само аксесоарите и резервните части, одобрени от производителя. Употребата на



BG

неодобрени аксесоари може да бъде опасна.



Висок 6M – 36M/15kg

Нашите изделия са внимателно проектирани и тествани, за да осигурят безопасността и комфорта на Вашето дете. EN14988:2017+A1:2020. – Високи столчета за деца.

ПРЕДУПРЕЖДЕНИЕ:

- Никога не оставяйте детето без надзор.
- Винаги използвайте системата за задържане.
- Риск от падане: Не оставяйте детето да се катери по изделието.
- Не ползвайте изделието, ако всички компоненти не са правилно монтирани и

регулирани.

- Внимавайте за риск от открит огън и други източници на силна топлина в близост до изделието.
- Внимавайте за риск от преобръщане, когато детето Ви може да се оттласне, опирайки краката си в маса или друга конструкция.

Допълнителна информация

1. Не използвайте изделието преди детето Ви да може да седи без чужда помощ;
2. Не използвайте изделието, ако някоя част е счупена, скъсана или липсва;
3. Моля, пазете децата на безопасно разстояние, когато разгъвате и сгъвате изделието, за да избегнете нараняване;
4. Този висок стол е предназначен



BG

за деца, които могат да седят без чужда помощ и до 3 години или максимално тегло от 15 кг.



Столче за деца 3У – 14У/60kg

Нашите изделия са внимателно проектирани и тествани, за да осигурят безопасността и комфорта на Вашето дете. EN 17191: 2021
Седалки за деца.

ПРЕДУПРЕЖДЕНИЕ:

- Никога не оставяйте детето без надзор.
- НЕ поставяйте този продукт в близост до прозорец, понеже може да се използва за стъпване от дете и това да доведе до падане на детето от прозореца.
- Имайте предвид риска от открит огън и други

източници на силна горещина около продукта.

- НЕ поставяйте този продукт в близост до прозорец, където е възможно шнурове на щори или завеси да причинят задушаване на детето.

Допълнителна информация

1. Това място за сядане е предназначено за деца, които могат да ходят и да седят без помощ под 7-годишна възраст.
2. Всички монтажни фитинги винаги трябва да бъдат затегнати правилно
3. Не използвайте седалките, ако някоя част е счупена, скъсана или липсва и използвайте само резервни части, одобрени от производителя
4. Ограничителната система трябва да бъде премахната / скрита / покрита (според случая), когато продуктът се използва като място за сядане.



BG



Стол за възрастни 14Y+ / 110kg

Нашите продукти са внимателно проектирани и тествани, за да гарантират безопасност и комфорт.
EN12520:2016.



Съвети относно грижа за изделието

- За гарантиране най-добра работа, за изделието трябва да бъдат полагани редовни грижи. Ние Ви съветваме да проверявате и при нужда да почиствате механичните части на всеки две седмици.
- Ако започне да се сгъва или разгъва трудно, не я насилвайте. Почистете изделието. Ако затрудненията продължат, свържете се с Вашия доставчик.
- Грижи: Използвайте гъба и мек сапун. Не използвайте перилни препарати.

- Вижте инструкциите на етикета относно правилния начин на изпиране.

Околна среда

С цел опазване на околната среда ви приканваме след прекратяване на употребата да изхвърлите продукта в предвидените за това места в съответствие с местното законодателство.

Въпроси

Моля, свържете се с вашия местен дистрибутор или посетете нашия уебсайт. Когато направите това, подгответе следната информация:

- Серийен номер
- Възраст (височина) и тегло на вашето дете.

Гаранция

Нашата 24-месечна гаранция показва увереността ни в неоспоримото качество на нашите дизайн, технически характеристики, производство



BG

и ефективност на продукта. Ние гарантираме, че този продукт е произведен в съответствие с настоящите европейски изисквания за безопасност и стандартите за качество, приложими към продукта и че този продукт няма дефекти в материалите и изработката към момента на закупуването му. В съответствие с посочените тук условия, тази гаранция може да бъде използвана от потребители в страните, където този продукт се продава от дъщерно дружество на Dorel Group или от оторизиран разпространител или търговец. Нашата 24-месечна гаранция обхваща всички производствени дефекти на материалите и изработката, в случай че продуктът се използва при нормални условия и съгласно инструкциите в ръководството за употреба за период от 24 месеца след датата на първоначалното закупуване от крайния потребител. За заявка

на ремонт или резервни части в периода на гаранцията при дефекти в материала и изработката, ще трябва да предоставите документ за закупуване, издаден в рамките на 24 месеца преди подаването на заявката.

Нашата 24-месечна гаранция не покрива повреди, предизвикани от нормално износване, инциденти, грубо отношение, небрежност или от неизпълнение на инструкциите в ръководството за работа, щети в резултат от употребата на друг продукт, огън, контакт с течности, щети, причинени от сервизно обслужване, извършено от неупълномощено от нас лице, или ако продуктът е откраднат или в случай, че от него са отстранени или сменени етикет или идентификационен номер. Примери за нормално износване включват износени от редовна употреба колела и тъкани,



естествено избледняване на цветовете и влошаване якостните характеристики на материалите след продължителна употреба, както и морално остаряване на продукта.

При появата на дефекти е необходимо да предприемете следните действия:

При появата на проблем или дефект, най-бързо обслужване ще получите ако посетите упълномощен от нас разпространител или търговец. Те признават нашата 24 месечна гаранция⁽¹⁾. Трябва да представите документ за покупка, извършена в рамките на 24 месеца преди заявката за обслужване. Изключително важно е Вашата заявка за обслужване да получи предварително одобрение от нашия сервиз. Ако представите валиден иск по тази гаранция, е възможно да поискаме от вас да върнете продукта на упълномощения от нас разпространител или търговец, или

да ни го изпратите съгласно нашите инструкции. Ние поемаме разходите за изпращането и връщането на пратката, само в случай че са спазени всички инструкции. Повреди и/или дефекти, които не се покриват нито от нашата гаранция, нито от законните права на потребителя и/или повреди и/или дефекти по отношение на продуктите, които не се покриват от нашата гаранция, могат да бъдат поправени на разумна цена.

Права на потребителя:

Потребителят има законни права съгласно приложимото законодателство в защита на потребителите, което се различава в зависимост от държавата. Правата на потребителя в съответствие с приложимото национално законодателство не се засягат от тази гаранция.

Тази гаранция е предоставена от Dorel Netherlands. Ние сме



регистрирани в Нидерландия
под фирмен номер 17060920.
Търговският ни адрес е Korendijk
5, 5704 RD Helmond, Нидерландия,
а пощенският ни адрес е P.O.
Box 6071, 5700 ET Helmond,
Нидерландия.

Имената и адресите на други
дъщерни фирми на групата Dorel
можете да намерите на последната
страница на това ръководство и на
нашата уеб страница за съответната
марка.

(1) Продукти, закупени от търговци или
разпространители, които са отстранили или
променили етикети или идентификационни
номера, се считат за неупълномощени.
Продукти, закупени от неупълномощени
разпространители, също се считат за
неодобриени. За такива продукти гаранцията не
важи, тъй като автентичността им не може да
бъде доказана.



HU

BIZTONSÁG



Döntött bölcső 0M - 6M/9kg

Termékeink gondos tervezés és tesztelés nyomán jöttek létre, gyermeke biztonsága és kényelme érdekében. EN 12790:2009.

FIGYELMEZTETES:

- Soha ne hagyja gyermekét felügyelet nélkül.
- Ne használja a döntött bölcsőt, ha a gyermek már segítség nélkül tud ülni.
- Ez a döntött bölcső nem hosszabb idejű alváshoz készült.
- Vesélyes lehet a döntött bölcső használata megemelt felületen, pl. asztal tetején.
- Mindig használja a rögzítőrendszert.

- Soha ne használja a játéktartó rudat a döntött bölcső hordozására.

További tájékoztatás

1. A döntött bölcső 0 hónapos kortól és legfeljebb 9 kilós gyermekek számára készült.
2. Ez a döntött bölcső nem helyettesíti a gyermekágyat vagy az ágyat. Ha a gyermeknek alváásra van szüksége, akkor alkalmas gyermekágyba vagy ágyba fektesse.
3. Ne használja a döntött bölcsőt, ha bármely része hibás, rongált vagy hiányzik.
4. Kizárólag a gyártó vagy a forgalmazó által jóváhagyott tartozékokat vagy cserealkatrészeket használja. Más tartozékok használata veszéllyel jár.



Etetőszék 6M - 36M/15kg

Termékeink gondos tervezés és tesztelés nyomán jöttek létre, gyermeke biztonsága és kényelme érdekében.



HU

EN14988:2017+A1:2020. július - Etetőszék
gyermekeknek.

FIGYELMEZTETES:

- Soha ne hagyja gyermekét felügyelet nélkül.
- Mindig használja a biztonsági felszerelést.
- Leesés veszélye: Előzze meg, hogy gyermeke felmásszon a termékre.
- Ne használja a terméket, ha nincs az összes alkatrész megfelelően felszerelve és beállítva.
- Legyen tisztában a termék közelében lévő nyílt láng és egyéb erős hőforrások okozta kockázattal.
- Legyen tisztában a feldőlési kockázattal, amikor gyermeke

már képes lábaival eltolni magát az asztaltól vagy bármilyen egyéb szerkezettől.

További tájékoztatás

- 1 Ne használja a terméket, amíg a gyermek nem képes segítség nélkül felülni;
2. Ne használja a terméket, ha bármelyik alkatrész megsérült, letört vagy hiányzik;
3. Tartsa a gyermekeket távol a termék szétnyitásakor és összecukásakor, így megelőzve a sérüléseket;
4. Ez az etetőszék olyan gyermekeknek készült, akik képesek segítség nélkül felülni, és 3 éves korig vagy maximum 15 kg-os testtömegig használható.



Gyermek kisszék 3Y - 14Y/60kg

Termékeink gondos tervezés és tesztelés nyomán jöttek létre, gyermeke biztonsága és kényelme érdekében. EN 17191: 2021 Ülőhely gyerekeknek.



HU

FIGYELMEZTETES:

- Nikada ne ostavljajte dijete bez nadzora.
- NE használja a terméket ablak közelében, ahol a gyermek azt fellépőként használhatná és kieshetne az ablakon.
- A terméket és annak környezetét védje a nyílt lángtól és az erős hőforrásoktól.
- NE használja a terméket ablak közelében, ahol a függöny- vagy redőny-zsinórok megfojthatnák a gyermeket.

További tájékoztatás

1. Ez az ülés olyan gyermekek számára készült, akik 7 éves kor alatt képesek járni és ülni.
2. Az összes szerelvény szerelvényét mindig megfelelően kell meghúzni

3. Ne használja az ülést, ha bármely alkatrész elromlott, elszakadt vagy hiányzik, és csak a gyártó által jóváhagyott pótalkatrészeket használjon

4. Az utasbiztonsági rendszert el kell távolítani / el kell rejtteni / el kell takarni (adott esetben), ha a terméket ülésként használják.



Szék felnőtteknek 14Y+ / 110kg

Termékeinket gondosan terveztük és teszteltük a biztonság és kényelem érdekében. EN12520:2016.



Termékápolási tanácsok

- A rendeltetésszerű használat érdekében a termék rendszeres karbantartásra szorul. Azt javasoljuk, hogy a mechanikai részeket kéthetente ellenőrizze, és szükség esetén tisztítsa.
- Ha az összecsukás vagy a kibontás





HU

nehézkessé válik, ne erőltesse. Tisztítsa meg a terméket. Ha a nehézség továbbra is fennáll, forduljon a forgalmazóhoz.

- Ápolás: Szivacsot és kímélő szappant használjon. Ne használjon mosószeret.
- A zuhat mosására vonatkozó utasítások megtalálhatók a címkén.

Környezetvédelmi utasítások

Környezetvédelmi okokból a terméket a használati életciklus végén a helyi előírásoknak megfelelően ártalmatlanítsa.

Kérdések

Forduljon a helyi forgalmazóhoz, vagy látogasson el honlapunkra. Ennek során készítse elő az alábbi adatokat:

- Gyári szám
- Gyermekének életkora (magassága) és testsúlya.

Garancia

Az általunk biztosított 24 hónapos garancia a tervezői, mérnöki, gyártási folyamatainknak, valamint termékeink teljesítményének kimagasló minőségébe

vetett hitünket tükrözi. Szavatoljuk, hogy ez a termék a jelenleg hatályos európai biztonsági előírásoknak és minőségi szabványoknak megfelelően lett legyártva, továbbá, hogy ez a termék a vásárlás pillanatában mentes minden anyag- és gyártási hibától. Az itt említett feltételek értelmében, a fogyasztók élhetnek a garancia által biztosított jogaikkal azokban az országokban, ahol ezt a terméket a Dorel Group leányvállalata vagy egy jogosult kereskedő vagy kiskereskedő forgalmazta.

A termék megvásárlásának időpontjától számítva, az általunk biztosított 24 hónapos garancia 24 hónapig kiterjed az összes, anyaggal vagy a termék gyártásával kapcsolatos hibára, ha azt normál körülmények közt rendeltetésszerűen üzemeltették, a kezelési útmutatóknak megfelelően. Ha a garancia keretein belül igényel javítást vagy cserealkatrészeket anyaghiba vagy gyártási hiba miatt, be kell mutatnia a vásárlásról szóló nyugtát, mely a szervizigénytől számított 24 hónapon belül került kiállításra.



HU

Az általunk biztosított 24 hónapos garancia nem terjed ki azokra a meghibásodásokra, melyek okai a normál kopás és elhasználódás, a balesetek, a nem megfelelő vagy figyelmetlen használat, a tűzzel vagy vízzel való érintkezés és, más külső tényezők, továbbá a garancia érvényét veszti abban az esetben is, ha a terméket általunk nem engedélyezett személyek javítják, ha ezt ellopják vagy ha terméken való bármelyik címkét vagy azonosító számot eltávolítják vagy kicserélik. Normál kopás például a kerekek és az anyag kopása a mindennapi használat során, valamint idővel a színek fakulása és az anyagok természetes lebomlása, a termék öregedése miatt.

Mi a teendő hiba esetén:

Ha problémákat vagy hibákat tapasztal, a gyors szervizellátás érdekében mielőbb keresse fel az általunk elismert kereskedőjét vagy viszonteladóját. Ők elismerik a 24 hónapos garanciánkat⁽¹⁾. Be kell mutatnia a vásárlásról szóló nyugtát, mely a szervizigénytől számított 24 hónapon belül került kiállításra. A legegyszerűbb, ha a szervizigényét mi előzetesen

engedélyezzük. Ha a jelen garancia értelmében a szervizigénye jogos, akkor mi arra kérhetjük Önt, hogy a terméket juttassa vissza az általunk elismert kereskedőhöz vagy viszonteladóhoz, vagy az utasításainknak megfelelően juttassa el hozzánk. A szállítás vagy a térti fuvar költségeit vállaljuk, amennyiben betartja az összes utasítást. Azokat a károkat és/vagy hibákat, melyeket nem fed sem az általunk biztosított garancia, sem a fogyasztóvédelmi törvény, továbbá azokat a károkat/termékhibákat, melyeket nem fed az általunk biztosított garancia, méltányos áron kezelhetjük.

A fogyasztók jogai:

A fogyasztóvédelmi törvények biztosítják a fogyasztó jogait, de ezek országonként eltérhetnek. A fogyasztók jogait szabályozó nemzeti jogszabályokat nem befolyásolja ez a garancia.

Ezt a garanciát a Dorel Netherlands biztosítja. Cégünk Hollandiában van bejegyezve a 17060920-as cégazonosító szám alatt. Kereskedelmi címünk Korendijk 5,



5704 RD Helmond, Hollandia, postacímünk pedig P.O. Box 6071, 5700 ET Helmond, Hollandia.

A Dorel csoport leányvállalatainak neveit és címeit megtalálhatja az útmutató legutolsó lapján, vagy az érintett márka weboldalán.

(1) Az olyan viszonteladótól vagy kereskedőtől vásárolt termékek, amelyeknél eltávolítják vagy módosítják a termék címkéjét vagy azonosító számát, nem jogosultak. A nem jogosult kereskedőktől vásárolt termékek is illetéktelennek minősülnek. Semmilyen garancia nem vonatkozik az ilyen termékekre, mivel eredetiségükről nem lehet meggyőződni.





SL

VARNOST



Zibelka 0M - 6M/9kg

Naši izdelki so bili natančno oblikovani in preizkušeni z namenom, da poskrbijo za varnost in udobje vašega dojenčka. EN 12790:2009.

OPOZORILO:

- Otroka nikoli ne puščajte nenadzorovanega.
- Ko otrok že lahko sedi sam, ne uporabljajte zibelke.
- Ta zibelka, ni namenjen za daljše spanje.
- Zibelko je nevarno uporabljati na dvignjeni površini, na primer na mizi.
- Vedno uporabite sistem za privezovanje otroka.
- Nikoli ne nosite zibelke s

pomočjo držala za igrače.

Dodatne informacije

1. Zibelka je namenjena otrokom, ki imajo manj kot 0 mesecev in do 9 kg.
2. Ta zibelka ne nadomešča prenosne posteljice ali postelje. Če otrok potrebuje spanje, ga dajte v ustrezno otroško posteljico oziroma posteljo.
3. Zibelke ne uporabljajte, če kateri del manjka ali je zlomljen.
4. Uporabljajte samo dodatke in nadomestne dele, ki jih je odobril proizvajalec. Uporaba drugih dodatkov je lahko nevarna.



Visoki stol za hranjenje 6M - 36M/15kg

Naši izdelki so bili natančno oblikovani in preizkušeni z namenom, da poskrbijo za varnost in udobje vašega dojenčka. EN14988:2017+A1:2020. – Otroški visoki stoli za hranjenje.



SL

OPOZORILO:

- Otroka nikoli ne puščajte nenadzorovanega.
- Vedno uporabljajte sistem držal.
- Nevarnost padca: Preprečite otroku plezanje na izdelek.
- Izdelka ne uporabljajte, če niso vsi sestavni deli pravilno nameščeni in nastavljeni.
- Zavedajte se nevarnosti odprtega ognja in drugih virov močne toplote v bližini izdelka.
- Zavedajte se nevarnosti nagibanja, ko se lahko vaš otrok z nogami opre na mizo ali katero koli drugo strukturo.

Dodatne informacije

1. Izdelka ne uporabljajte, dokler otrok ne sedi samostojno in brez pomoči.
2. Ne uporabite izdelka, če je kateri sestavni

del zlomljen ali manjka.

3. Pri razklapljanju in zlaganju izdelka naj se otroci ne zadržujejo v bližini, da preprečite telesne poškodbe.
4. Ta visoki stol za hranjenje je namenjen otrokom, ki lahko sedijo brez pomoči in do 3 let starosti ali največ 15 kg teže.



Otroški stolček 3Y - 14Y/60kg

Naši izdelki so bili natančno oblikovani in preizkušeni z namenom, da poskrbijo za varnost in udobje vašega dojenčka.
EN 17191: 2021 Sedenje za otroke.

OPOZORILO:

- Otroka nikoli ne puščajte nenadzorovanega.
- Tega izdelka NE postavljajte blizu okna, saj ga lahko otrok uporabi kot stopnico in pade skozi okno.
- Zavedajte se nevarnosti, ki jih



predstavljajo odprti plameni ali drugi močni viri toplote v bližini tega izdelka.

- Tega izdelka NE postavljajte v bližino oken, kjer lahko vrvi iz žaluzij ali zaves zadušijo otroka.

Dodatne informacije

1. Ta sedež je namenjen otrokom, ki so sposobni hoditi in sedeti brez pomoči do 7. leta starosti.
2. Vso montažno armaturo je treba vedno pravilno zategniti
3. Ne uporabljajte sedežev, če je kateri koli del zlomljen, strgan ali manjka, in ne uporabljajte samo rezervnih delov, ki jih je odobril proizvajalec
4. Zadrževalni sistem se odstrani / skrije / pokrije (kot je primerno), ko se izdelek uporablja kot sedež.



**Stol za odrasle
14Y+ / 110kg**

Naši izdelki so skrbno zasnovani in

preizkušeni, da zagotavljajo varnost in udobje. EN12520:2016.



Nasveti za nego izdelka

- Izdelek je treba redno vzdrževati, da je zagotovljeno popolno zadovoljstvo. Svetujemo vam, da vsakih štirinajst dni preverite in po potrebi očistite mehanske dele.
- Ne razklaplajte in zlagajte na silo. Čistite izdelek. Če težave ob uporabi ostajajo, se obrnite na dobavitelja.
- Nega: Uporabite gobo in blago čistilo. Ne uporabljajte detergenta.
- Za pranje tkanine glejte navodila na etiketi.

Okolje

Kadar prenehate uporabljati izdelek, ga iz okoljevarstvenih razlogov odložite v ustreznih zbirnih centrih za posebne odpadke, skladno z lokalno zakonodajo.



SL

Vprašanja

Obrnite se na vašega lokalnega prodajalca ali obiščite našo spletno stran. Pri tem imejte pri roki naslednje podatke:

- Serijsko številko
- Starost (višino) in težo otroka.

Garancija

Naša 24-mesečna garancija odraža naše zaupanje v visoko kakovost oblikovanja, inženiringa, proizvodnje in učinkovitost naših izdelkov. Zagotavljamo vam, da je izdelek v skladu s trenutno veljavnimi evropskimi varnostnimi zahtevami in standardi kakovosti, ki se uporabljajo za ta izdelek in da je izdelek v času nakupa brez napak na materialih ali pri izdelavi. Pod omenjenimi pogoji se lahko potrošniki sklicujejo na to garancijo v državah, kjer je bil izdelek prodan pri hčerinski družbi skupine Dorel ali pri pooblaščenem distributerju ali prodajalcu.

Naša 24-mesečna garancija pokriva vse proizvodne napake na materialih in pri izdelavi, če izdelek uporabljate v normalnih pogojih in v skladu z našimi navodili za

uporabo in sicer za obdobje 24 mesecev od datuma nakupa s strani prvega končnega uporabnika. V primeru zahtevka za popravila ali nadomestne dele za napake na materialih ali pri izdelavi v času garancijskega roka, morate predložiti dokazilo o nakupu, ki je bil opravljen 24 mesecev pred uveljavljanjem garancije.

Naša 24-mesečna garancija ne pokriva škode, ki nastane zaradi običajne obrabe, škode, ki nastane zaradi nesreč, nepravilne uporabe, malomarnosti, požara, stika s tekočino ali drugega zunanega vzroka, škode, ki je posledica neupoštevanja navodil za uporabo, škode, ki nastane zaradi uporabe z drugim izdelkom, škode zaradi servisa, ki ga opravi nepooblaščen oseba, v primeru, če je bil izdelek ukraden ali če je bila z izdelka odstranjena ali spremenjena katerakoli nalepka ali identifikacijska številka. Primeri običajne obrabe vključujejo kolesa in obrabo tekstilne prevleke zaradi redne uporabe kot tudi naravno obledelost barv in materialov zaradi običajnega staranja izdelka.



Kaj storiti v primeru napak:

Če se pojavijo težave ali napake, je vaša prva kontaktna točka naš pooblaščen distributer ali prodajalec, ki prizna našo 24-mesečno garancijo⁽¹⁾. Predložiti morate dokazilo o nakupu, ki je bil opravljen v roku 24 mesecev pred vložitvijo zahtevka. Najlažje je, če vam reklamacijski zahtevek predhodno odobri servis. Če je vaš zahtevek upravičen na podlagi te garancije, lahko zahtevamo, da izdelek vrnete pooblaščenemu distributerju ali prodajalcu ali da ga pošljete nam v skladu z našimi navodili. Povrnili bomo stroške odpreme in vračila izdelka, če upoštevate vsa navodila. Škodo in/ali napake, ki jih ne pokriva niti naša garancija niti zakonske pravice potrošnika in/ali škodo in/ali napake v zvezi z izdelki, ki jih naša garancija ne pokriva, lahko odpravimo po razumnem plačilu.

Pravice potrošnika:

Potrošnik ima zakonske pravice v skladu z veljavno zakonodajo o varstvu potrošnikov, ki se lahko razlikuje od države do države. Ta garancija ne vpliva na pravice potrošnika v skladu z veljavno nacionalno zakonodajo.

To garancijo zagotavlja Dorel Netherlands. Registrirani smo na Nizozemskem pod številko 17060920. Sedež družbe je Korendijk 5, 5704 RD Helmond, Nizozemska, poštni naslov P.O. Box 6071, 5700 ET Helmond, Nizozemska.

Imena in naslovi drugih hčerinskih družb skupine Dorel so na voljo na zadnji strani teh navodil in na naši spletni strani za zadevno blagovno znamko.

(1) Izdelki, kupljeni pri posrednikih ali trgovcih, ki odstranijo ali spremenijo nalepke ali identifikacijske številke, veljajo za neodobrene. Izdelki, kupljeni od nepooblaščenih prodajalcev, se prav tako štejejo za neodobrene. Za te izdelke garancije ne velja, saj ne morete dokazati pristnosti takih izdelkov.





ET

OHUTUS



Kaldus häll 0M - 6M/9kg

Meie tooted on hoolikalt disainitud ja testitud, et tagada lapse ohutus ja mugavus. EN 12790:2009.

HOIATUS:

- Ärge kunagi jätke last järelevalveta.
- Kui teie laps on võimeline ise istuma, siis ärge kaldus hälli enam kasutage.
- See kaldus häll ei ole mõeldud pikaajaliseks magamiseks.
- Kaldus hälli kõrges kohas (näiteks laua peal) kasutamine on ohtlik.
- Kasutage alati turvasüsteemi.
- Ärge kunagi kandke kaldus hälli mänguasjahoidjast kinni hoides.

Täiendav teave

1. See kaldus häll on mõeldud lastele alates 0. elukuust ja kuni lapse kehakaal ei ületa 9 kg.
2. Kaldus häll ei asenda magamishälli ega voodit. Kui lapsel on vaja magada, pange ta sobivasse hälli või voodisse.
3. Ärge kasutage kaldus hälli, kui sellel on katkiseid või puuduvaid osi.
4. Ärge kasutage lisatarvikuid ega asendusosi, mida tootja ei ole heaks kiitnud. Teiste tarvikute kasutamine võib olla ohtlik.



Kõrge lastetool 6M - 36M/15kg

Meie tooted on hoolikalt disainitud ja testitud, et tagada lapse ohutus ja mugavus. EN14988:2017+A1:2020. – Kõrged lastetoolid.

HOIATUS:

- Ärge kunagi jätke last järelevalveta.
- Kasutage alati turvasüsteemi
- Kukkumisoht: Ärge laske oma



ET

lapsel toote peal ronida.

- Enne toote kasutamist veenduge, et kõik selle osad oleksid õigesti paigaldatud ja reguleeritud.
- Teadvustage ohtusid, mis kaasnevad toote lähedal paikneva lahtise tule ja muude tugevate kuumaallikatega.
- Teadvustage ümberkukkumise ohtu, kui teie laps surub jalad vastu lauda või mõnda teist objekti.

Täiendav teave

1. Ärge kasutage toodet, kuni laps suudab iseseisvalt istuda.
2. Ärge kasutage toodet, kui mõni selle osa on katki, väärdunud või puudu.
3. Tootte avamisel ja kokkupanemisel hoidke lapsed ohutus kauguses, et vältida vigastuste tekkimist.

4. See kõrge lastetool on mõeldud iseseisvalt istuvatele lastele vanuses kuni 3 aastat või lastele, kelle kehakaal on kuni 15 kg.



Lastetool 3Y - 14Y/60kg

Meie tooted on hoolikalt disainitud ja testitud, et tagada lapse ohutus ja mugavus. EN 17191: 2021 Istmed lastele.

HOIATUS:

- Ärge kunagi jätke last järelevalveta.
- ÄRGE asetage seda toodet akna lähedusse, sest laps võib kasutada seda üles astumiseks ja aknast alla kukkuda.
- Kontrollige, et toote läheduses ei oleks lahtist tuld ega muid kõrge temperatuuriga kuumusallikaid.
- ÄRGE asetage seda toodet



ET

akna lähedusse, kus ruloode või kardinat paelad võivad kujutada lapsele kägistamisohtu.

Täiendav teave

1. See istekoht on mõeldud alla 7-aastastele lastele, kes on võimelised kõndima ja istuma.
2. Kõik montaaži liitmikud tuleks alati korralikult kinni keerata
3. Ärge kasutage istet, kui mõni osa on katki, rebenenud või puudu, ja kasutage ainult tootja poolt heaks kiidetud varuosi
4. Turvasüsteem eemaldatakse / peidetakse / kaetakse (vajaduse korral), kui toodet kasutatakse istmena.



Tool täiskasvanutele 14Y+ / 110kg

Meie tooted on hoolikalt disainitud ja testitud, et tagada ohutus ja mugavus. EN12520:2016.



Toote hooldamine

- Toote täielikuks funktsioneerimiseks tuleb seda regulaarselt hooldada. Soovitame mehaanilisi osasid kontrollida ja vajadusel puhastada iga kahe nädala tagant.
- Ärge kasutage jõudu, kui toodet on raske avada või sulgeda. Puhastage toode. Probleemide püsimisel kontakteeruge toote müüjaga.
- Hooldus Kasutage švammi ja lahjat seepi. Ärge kasutage pesuainet.
- Katteride pesemiseks vaadake etiketil olevaid juhiseid.

Keskkond

Kui te olete antud toote kasutamise lõpetanud, palume teil keskkonnakaalu- ja ressursilõpetanud, kõrvaldada toode vastavatesse lõpppladustuspunktesse vastavalt riiklikule seadusandlusele.

Küsimused

Palun pöörduge kohaliku edasimüüja poole või külastage meie veebisaiti. Seda tehakse



ET

hoidke käepärast järgmine teave:

- Seerianumber
- Lapse vanus (pikkus) ja kaal

Garantii

Meie 24-kuuline garantii väljendab meie enesekindlust oma toodete disaini, tehnoloogia, tootmise ja funktsionaalsuse ülima kvaliteedi suhtes. Garanteerime, et see toode on valmistatud kooskõlas Euroopa ohutusnõuete ja kvaliteedistandarditega, mis sellele tootele kohalduvad, ja et sellel tootel ei ole ostmise ajal materjalide ega valmistamise defekte. Kooskõlas siin nimetatud tingimustega võivad kliendid seda garantiid kasutada riikides, kus selle toote on müünud Dorel Groupi tütarettevõtte või volitatud turustaja või jaemüüja.

Meie 24-kuuline garantii hõlmab mis tahes materjali- ja tootmisdefekte, kui toodet kasutatakse 24 kuu jooksul alates algsest esimese kliendi ostukuupäevast tavatingimustes ja kooskõlas selle kasutusjuhendiga. Selleks et tellida garantiikorras remonditeenust või varuosasid seoses materjali- ja tootmisdefektidega,

peate esitama ostudokumendi, mis on väljastatud kuni 24 kuud enne garantiiteenuse taotlemist.

Meie 24-kuuline garantii ei kata kahjusid, mille on tekitanud normaalne kulumine, õnnetusjuhtumid, väärkasutus, hoolimatus, tulekahjud, kokkupuude vedelikega või muud välised põhjused või suutmatus järgida käesolevas kasutusjuhendis toodud juhiseid, teise tootega kasutamisest tekkinud kahjustused, selliste teenusepakujate teenuste kasutamisest tekkinud kahjustused, kes ei ole meie poolt volitatud, või toote varastamise korral, kui mis tahes märgis või identifitseerimisnumber on tootelt eemaldatud või seda on muudetud. Normaalse kulumise alla kuulub rataste ja kanga kulumine tavakasutusel ning värvide ja materjalide loomulik kulumine pikaajasel kasutamisel.

Mida teha defektide korral:

Probleemide või defektide ilmnemisel on kiire teeninduse saamiseks parim lahendus külastada teie volitatud turustajat või jaemüüjat. Nemad⁽¹⁾ aktsepteerivad



ET

meie 24-kuulist garantiid. Peate esitama ostudokumendi, mis on väljastatud kuni 24 kuud enne garantiiteenuse taotlemist. Kõige lihtsam on, kui kiidame teie garantiiteenuse taotluse eelnevalt heaks. Kui esitate garantiiperioodi ajal taotluse, võime paluda teil toote kooskõlas meie juhistega volitatud turustaja või jaemüüja juurde toimetada. Meie tasume toote transpordi- ja tagastamiskulud, kui olete juhiseid järginud. Kahjustused ja/või defektid, millele meie garantii ega kliendi seaduslikud õigused ei laiene, ja/või toodete kahjustused ja/või defektid, mida meie garantii ei kata, saab kõrvaldada mõistliku tasu eest.

Kliendi õigused:

Kliendil on seaduslikud õigused kooskõlas tarbijakaitse seadustega, mis võivad riigiti erineda. Kliendi õigusi, mis on kooskõlas kehtivate riiklike seadustega, see garantii ei mõjuta.

Seda garantiid pakub Dorel Netherlands. Oleme registreeritud Hollandis registrikoodi 17060920 all. Meie tegevuskoha aadress on Korendijk 5, 5704 RD Helmond, Holland

ja postiaadress on P.O. Box 6071, 5700 ET Helmond, Holland.

Doreli grupi teiste tütarettevõtete nimed ja aadressid leiате selle juhendi viimasel lehel ja vastava kaubamärgi veebisaidilt.

(1) Jaemüüjatel või edasimüüjatel ostetud tooteid, mille sildid või identifitseerimisnumbrid on eemaldatud või muudetud, ei aktsepteerita. Samuti ei aktsepteerita volitamata jaemüüjatelt ostetud tooteid. Nendele toodetele garantii ei laiene, kuna nende autentsust ei ole võimalik tuvastada.





CS

BEZPEČNOST



Polohovací lehátko 0M - 6M/9kg

Naše výrobky byly pečlivě vyvinuty a testovány tak, aby zajistily bezpečnost a pohodlí Vašeho dítěte. EN 12790:2009.

UPOZORNENÍ:

- Nikdy neponechávejte dítě bez dozoru.
- Toto polohovací lehátko nepoužívejte, pokud již vaše dítě umí samostatně sedět.
- Toto polohovací lehátko není určené k delšímu spánku.
- Toto polohovací lehátko je nebezpečné používat na zvýšeném povrchu, např. na stole.
- Vždy použijte upevňovací systém.
- Madlo pro zavěšení hraček nikdy

nepoužívejte k přenášení tohoto polohovacího lehátka.

Další informace

1. oto polohovací lehátko je určeno pro děti od 0 měsíců do dosažení váhy 9kg.
2. Toto polohovací lehátko není náhradou za postýlku. Pokud dítě potřebuje spát, je potřeba je uložit do vhodné postýlky.
3. Polohovací lehátko nepoužívejte, jestliže jsou kterékoliv jeho součásti
4. Nepoužívejte doplňky nebo náhradní součásti, které nejsou schválené výrobcem. Používání jiných doplňků může být nebezpečné.



Vysoká židle 6M - 36M/15kg

Naše výrobky byly pečlivě vyvinuty a testovány tak, aby zajistily bezpečnost a pohodlí Vašeho dítěte. EN14988:2017+A1:2020. — Vysoké židle pro děti.

UPOZORNENÍ:

- Nikdy neponechávejte dítě bez dozoru.



CS

- Vždy používejte zádržný systém.
- Nebezpečí pádu: Dejte pozor na to, aby vaše dítě po produktu nešplhalo.
- Produkt nepoužívejte, dokud nejsou všechny jeho součásti řádně nastavené a zajištěné.
- Dejte pozor na rizikové oblasti s otevřeným ohněm a jiné zdroje silného tepla v blízkosti produktu.
- Mějte na paměti, že se produkt může naklánět, pokud se dítě zapře nohama o stůl nebo jiný objekt.

Další informace

1. Produkt nepoužívejte, dokud se dítě neumí posadit samo bez pomoci;
2. Je-li jakákoli součást rozbitá, poškozená nebo zcela chybí, produkt nepoužívejte.
3. Aby nedošlo k úrazu, skládání a rozkládání výrobku provádějte v bezpečné vzdálenosti od dětí;
4. Tato vysoká židle je určena pro děti do 3 let,

kteří se dokážou posadit bez pomoci, a mají maximální hmotnost 15 kg.



Dětská židle bez opěradla 3Y - 14Y/60kg

Naše výrobky byly pečlivě vyvinuty a testovány tak, aby zajistily bezpečnost a pohodlí Vašeho dítěte. EN 17191: 2021
Posezený pro děti.

UPOZORNĚNÍ:

- Nikdy neponechávejte dítě bez dozoru.
- NEUMISŤUJTE tento výrobek do blízkosti oken. Dítě jej může použít jako stupátko a vypadnout z okna.
- NEUMISŤUJTE tento výrobek do blízkosti oken. Dítě jej může použít jako stupátko a vypadnout z okna.



CS

• **NEUMISŤUJTE** tento výrobek do blízkosti oken, kde by se dítě mohlo uškrtit na šňůrách ze žaluzií či závěsů.

Další informace

1. Toto sezení je určeno pro děti schopné chodit a sedět bez pomoci do 7 let.
2. Veškerá montážní kování by měla být vždy řádně utažena
3. Nepoužívejte sedadlo, pokud je některá část rozbitá, potrháná nebo chybí, a používejte pouze náhradní díly schválené výrobcem
4. Pokud je výrobek používán jako sedadlo, musí být zádržný systém odstraněn / skrytý / zakrytý (podle potřeby).



**Křeslo pro dospělé
14Y+ / 110kg**

Naše produkty byly pečlivě navrženy a testovány, aby byla zajištěna bezpečnost a pohodlí. EN12520:2016.



Rada k péči o výrobek

- Pro dosažení plné spokojenosti je třeba výrobek pravidelně udržovat. Dvakrát za měsíc doporučujeme provést kontrolu mechanických součástí výrobku a dle potřeby jejich očištění.
- Kočárek neskládejte ani nerozkládejte silou a výrobek vyčistěte. Pokud problémy přetrvávají, obraťte se na svého dodavatele.
- Péče: Pro péči o výrobek používejte houbu a jemný mýdlový roztok. Nepoužívejte detergenty.
- Přečtěte si prosím pokyny k mytí čalounění uvedené na štítku.

Ochrana životního prostředí

Z důvodu ochrany životního prostředí výrobek po ukončení používání zlikvidujte v příslušném místě pro likvidaci odpadu v souladu s národními právními předpisy.

Dotazy

Prosím kontaktujte svého místního distributora nebo navštivte naše webové stránky:





- Sériové číslo
- Věk (výška) a váha dítěte.

Záruka

Naše 24měsíční záruka svědčí o naší důvěře v mimořádnou kvalitu našeho designu, technologií, výroby a funkčnosti výrobku. Zaručujeme, že tento výrobek byl vyroben v souladu s platnými evropskými bezpečnostními předpisy a normami jakosti, které se vztahují na tento výrobek, a že tento výrobek nemá v době nákupu žádné vady materiálu ani provedení. Tato záruka může být uplatněna zákazníkem za zde uvedených podmínek v zemích, ve kterých se výrobek prodává dceřiným podnikem skupiny Dorel Group nebo autorizovaným nebo maloobchodním prodejcem.

24měsíční záruka se vztahuje na veškeré výrobní vady materiálu a provedení, je-li výrobek používán v běžných podmínkách a v souladu s pokyny uvedenými v uživatelské příručce po dobu 24 měsíců od data prvního zakoupení prvním koncovým uživatelem. Žádáte-li během 24měsíční záruční lhůty o opravu nebo náhradní díly na základě záruky na vady materiálu a provedení, musíte před

požádáním o poskytnutí takové služby předložit doklad o koupi výrobku.

24měsíční záruka se nevztahuje na vady způsobené běžným opotřebením, poškozením v důsledku nehody, nesprávným používáním, nedbalostí, požárem, kontaktem s kapalinou nebo jinými vnějšími příčinami, poškozením v důsledku nedodržení pokynů uvedených v uživatelské příručce, poškozením způsobeným použitím s jiným výrobkem, poškozením způsobeným opravou, kterou neprovedl autorizovaný subjekt, nebo pokud byl výrobek cizízen nebo pokud byl z výrobku odstraněn nebo na výrobku změněn jakýkoli štítek nebo identifikační číslo výrobku. Příklady běžného opotřebení zahrnují kola a tkaniny opotřebené pravidelným užíváním a přirozený rozklad barev a materiálů v důsledku přirozeného stárnutí výrobku.

Jak postupovat při zjištění vad:

V případě problému nebo vad se pro rychlé poskytnutí služby obraťte na autorizovaného distributora nebo prodejce, který uznává tuto 24měsíční záruku⁽¹⁾. Během 24měsíční záruční lhůty musíte před požádáním o poskytnutí



služby předložit doklad o koupi výrobku. Nejjednodušším způsobem je získání našeho předběžného souhlasu s žádostí o poskytnutí služby. V případě uplatnění oprávněného nároku v rámci této záruky Vás můžeme vyzvat, abyste výrobek vrátili autorizovanému distributorovi nebo prodejci nebo abyste nám výrobek zaslali v souladu s našimi pokyny. Při splnění všech podmínek uhradíme náklady na přepravu. Škody nebo závady, na které se nevztahuje záruka ani zákonná práva spotřebitele, nebo škody a závady, pokud jde o výrobek, na které se nevztahuje záruka, mohou být vyřízeny za přiměřený poplatek. Poškození nebo vady, jež nepokrývá záruka ani zákonná práva spotřebitele, nebo poškození nebo vady vztahující se k výrobku, které naše záruka nepokrývá, mohou být vyřízeny přiměřeným poplatkem.

Práva spotřebitele:

Spotřebitel má v souladu s příslušnými zákony práva, která se mohou v jednotlivých zemích lišit. Práva spotřebitele vyplývající z příslušných vnitrostátních předpisů nejsou těmito záručními podmínkami dotčena.

Tuto záruku poskytuje společnost Dorel Netherlands. Společnost je registrována v Nizozemsku pod registračním číslem 17060920 s obchodní adresou Korendijk 5, 5704 RD Helmond, Nizozemsko, a poštovní adresou P.O. Box 6071, 5700 ET Helmond, Nizozemsko.

Další informace o názvech a adresách dceřiných společností Dorel group jsou uvedeny na poslední stránce této příručky a na našich webových stránkách.

(1) Výrobky pořízené od prodejce nebo dodavatele, kteří odstraňují nebo mění štítky nebo čísla výrobku, jsou považovány za neautorizované. Výrobky zakoupené u neautorizovaných prodejců jsou rovněž považovány za neautorizované. Na tyto výrobky se nevztahuje žádná záruka, jelikož nelze ověřit jejich pra





RO

SIGURANȚĂ



Leagăn înclinat OM - 6M/9kg

Produsele noastre au fost proiectate și testate cu grijă pentru a asigura siguranța și confortul bebelușului dumneavoastră.
EN 12790:2009.

AVERTISMENTE:

- Nu lăsați niciodată copilul nesupravegheat.
- Nu folosiți leagănul înclinat odată ce copilul dvs. poate sta în șezut fără ajutor.
- Acest leagăn înclinat nu este recomandat pentru perioade lungi de somn.
- Este periculoasă folosirea acestui leagăn înclinat pe o suprafață ridicată, de exemplu o masă.

- Folosiți întotdeauna sistemul de siguranță.
- Nu folosiți niciodată bara pentru jucării pentru a transporta leagănul înclinat.

Informații suplimentare

1. Acest leagăn înclinat este destinat copiilor de la vârsta de 0 luni și cu o greutate de până la 9 kg.
2. Acest leagăn înclinat nu înlocuiește un pătuț de copil sau un pat. În cazul în care copilul dvs. trebuie să doarmă, atunci acesta trebuie așezat într-un pătuț de copil sau un pat.
3. Nu folosiți leagănul înclinat, dacă acesta are componente stricate sau lipsă.
4. Nu folosiți alte accesorii sau componente de înlocuire decât cele aprobate de producător. Folosirea altor accesorii poate fi periculoasă.



Scaun înalt 6M - 36M/15kg

Produsele noastre au fost proiectate și testate cu grijă pentru a asigura siguranța



RO

și confortul bebelușului dumneavoastră.
EN14988:2017+A1:2020. - Scaune înalte
pentru copii.

AVERTISMENTE:

- Nu lăsați niciodată copilul nesupravegheat.
- Utilizați întotdeauna sistemul de prindere.
- Pericol de cădere: Nu lăsați copilul să urce pe produs.
- Nu utilizați produsul decât după ce toate componentele au fost montate și reglate corect.
- Țineți cont de riscul focului deschis și al altor surse de căldură puternică în apropierea produsului.
- Țineți cont de riscul de răsturnare atunci când copilul dumneavoastră poate împinge cu

picioarele de o masă sau de orice altă structură.

Informații suplimentare

1. Nu utilizați produsul decât atunci când copilul dvs. poate sta în șezut fără să fie ajutat;
2. Nu utilizați produsul dacă vreo componentă este stricată, ruptă sau lipsește;
3. Țineți copiii la distanță atunci când pliați/depliați acest produs, pentru a evita rănirea;
4. Acest scaun înalt este destinat copiilor capabili să stea în șezut fără ajutor cu vârsta maximă de 3 ani sau cu o greutate maximă de 15 kg.



Taburet pentru copii 3Y - 14Y/60kg

Produsele noastre au fost proiectate și testate cu grijă pentru a asigura siguranța și confortul bebelușului dumneavoastră.
EN 17191: 2021 Scaune pentru copii.



RO

AVERTISMENTE:

- Nu lăsați niciodată copilul nesupravegheat.
- **NU** așezați acest produs lângă o fereastră, deoarece poate fi folosit de către copil ca o treptă de scară și atunci copilul poate cădea de la fereastră.
- Aveți în vedere riscul creat de focurile deschise și de alte surse de căldură intensă din apropierea produsului.
- **NU** așezați acest produs lângă o fereastră unde șnururile jaluzelelor sau draperiilor îl pot strangula pe un copil.

Informații suplimentare

1. Acest loc este destinat copiilor capabili să meargă și să stea fără ajutor sub vârsta de 7 ani.

2. Toate armăturile de asamblare trebuie întotdeauna strânse corespunzător
3. Nu folosiți scaunele în cazul în care orice piesă este ruptă, ruptă sau lipsește și folosiți numai piese de schimb aprobate de producător
4. Sistemul de reținere trebuie îndepărtat / ascuns / acoperit (după caz) atunci când produsul este folosit ca scaun.



Scaun pentru adulti 14Y+ / 110kg

Produsele noastre au fost atent proiectate și testate pentru a asigura siguranță și confort. EN12520:2016.



Consultanță privind întreținerea produsului

- Produsul trebuie întreținut cu regularitate pentru a oferi satisfacție deplină. Vă recomandăm să verificați și dacă este necesar să curățați elementele mecanice la fiecare două săptămâni.



RO

- Nu îl forțați dacă este dificilă plierea sau deplierea acestuia. Curățați produsul. Dacă problemele persistă, contactați furnizorul.
- Întreținere: Utilizați un burete și un săpun slab. Nu utilizați detergent.
- Pentru spălarea husei, consultați instrucțiunile de pe etichetă.

Mediul înconjurător

Din motive care țin de protecția mediului, când nu mai folosiți produsul, vă rugăm să-l eliminați în modul adecvat, în conformitate cu legislația locală.

Întrebări

Vă rugăm să contactați distribuitorul local sau să vizitați site-ul nostru web. În oricare dintre aceste situații, trebuie să dețineți următoarele informații:

- Numărul de serie
- Vârsta (înălțimea) și greutatea copilului dumneavoastră.

Garanție

Garanția de 24 de luni oferită de către noi reflectă încrederea noastră în calitatea deosebită a produselor, din punct de vedere

al concepției, proiectării, producției și performanțelor. Garantăm că acest produs a fost fabricat în conformitate cu cerințele de siguranță și standardele de calitate aflate în vigoare în Europa în momentul de față și că acest produs nu prezintă defecte de manoperă sau materiale în momentul achiziției. În virtutea condițiilor menționate aici, această garanție poate fi invocată de către consumatorii din țările în care acest produs a fost vândut de către o filială a Dorel Group sau de către un vânzător sau detailist autorizat.

Garanția de 24 de luni oferită de către noi acoperă din momentul achiziției timp de 24 de luni defectele de fabricație în ceea ce privește manopera sau materialele, pentru utilizarea în condiții normale și în conformitate cu instrucțiunile din manualul de utilizare. Pentru a solicita reparații sau piese de schimb în baza garanției pentru defecte de manoperă sau materiale, trebuie să prezentați dovada achiziției produsului în ultimele 24 luni dinaintea solicitării de service.



RO

Garanția de 24 de luni oferită de către noi nu acoperă defecțiunile provocate de uzura normală, accidente, utilizare abuzivă sau neglijentă, nerespectarea instrucțiunilor din manual, foc, contact cu lichide sau folosirea cu alte produse. De asemenea, garanția nu se aplică pentru defecțiunile rezultate în urma reparațiilor de către persoane neautorizate, în cazul furtului sau dacă etichetele sau numărul de identificare aflate pe produs au fost îndepărtate sau schimbate. Exemple de uzură normală includ roțile și materialele uzate ca urmare a utilizării regulate, deteriorarea naturală a culorilor și materialelor în urma îmbătrânirii produsului.

În caz de defecte:

În cazul în care apar probleme sau defecte, vă recomandăm să apelați la distribuitorul sau vânzătorul autorizat de către noi. Aceștia acceptă garanția noastră de 24 de luni⁽¹⁾. Trebuie să prezentați dovada achiziției produsului în ultimele 24 luni dinaintea solicitării de service. Demersurile sunt mai rapide dacă noi aprobăm în prealabil solicitarea de service din

partea dumneavoastră. Dacă solicitarea dumneavoastră este fondată pe baza acestei garanții, atunci s-ar putea să vă rugăm să returnați produsul la distribuitorul sau vânzătorul autorizat de către noi, sau să ne trimiteți produsul în conformitate cu instrucțiunile noastre. Dacă respectați toate instrucțiunile, noi plătim cheltuielile de transport și de returnare. Daunele și/sau defectele care nu fac obiectul garanției noastre sau al legilor pentru protecția consumatorilor, respectiv daunele și/sau defectele produsului care nu fac obiectul garanției pot fi remediate la un tarif rezonabil.

Drepturile consumatorilor:

Drepturile consumatorilor sunt reglementate de legile aplicabile pentru protecția consumatorilor, care pot varia în funcție de țară. Drepturile consumatorilor reglementate de legislația națională nu sunt afectate de această garanție.

Această garanție este oferită de către Dorel Netherlands. Compania noastră este înregistrată în Olanda, cu numărul de înregistrare 17060920. Adresa noastră



comercială este Korendijk 5, 5704 RD Helmond, Olanda, iar adresa noastră poștală este P.O. Box 6071, 5700 ET Helmond, Olanda.

Numele și adresele celorlalte filiale ale grupului Dorel le puteți găsi pe ultima pagină a acestui manual, respectiv pe pagina web pentru marca în cauză.

(1) Produsele achiziționate de la distribuitori sau vânzători care îndepărtează sau schimbă etichetele sau codurile de identificare sunt considerate neautorizate. Sunt considerate produse neautorizate și cele achiziționate de la distribuitori sau vânzători neautorizați. Acestor produse nu li se aplică garanția, deoarece autenticitatea lor nu poate fi confirmată.





HE

עליכם להיות מודעים.
 לסכנה הנובעת מאש
 גלויה או ממקורות
 אחרים הפולטים חום
 רב, הנמצאים בסביבה
 הקרובה של המוצר.
 עליכם להיות מודעים.
 לסכנת ההתהפכות אם
 הפעוט יכול לדחוף את
 רגליו כנגד שולחן או
 רהיט אחר.

מידע נוסף

1. אין להשתמש במוצר לפני שהפעוט מסוגל לשבת ללא עזרה;
2. אין להשתמש במוצר אם חלק כלשהו שלו שבור, קרוע או חסר;
3. כדי למנוע סכנת פציעה, עליכם להרחיק את הפעוט מהמוצר בעת הפתיחה והקיפול שלו.
4. הכיסא הגבוה מיועד לשימושם של פעוטות המסוגלים לשבת ללא עזרה ועד לגיל 3, או עד למשקל מקסימלי של 15 ק"ג.



כיסא גבוה לתינוק

6M - 36M/15kg

המוצרים שלנו תוכננו בקפידה ונבדקו על-מנת להבטיח את בטיחותו ואת נוחיותו של תינוכם. EN14988: 2017+A1: 2020. - כיסאות גבוהים לפעוטות.

אזהרה:

לעולם אל תשאירו את ילדכם ללא השגחה.
 חשוב תמיד לחגור בחגורות הבטיחות.
 סכנת נפילה: יש למנוע מילדים לטפס על המוצר.
 אין להשתמש במוצר אלא אם כל הרכיבים מותקנים כראוי ומכווננים היטב.



בטיחות סלקל שכיבה 0M - 6M/9kg



המוצרים שלנו תוכננו בקפידה ונבדקו על-מנת להבטיח את בטיחותו ואת נוחיותו של תינוקכם.
EN 12790: 2009

בסלקל השכיבה על-גבי משטח מוגבה, כגון שולחן.
השתמשו תמיד במערכת הריסון. לעולם אין להשתמש במוט לתליית צעצועים כדי לשאת את סלקל השכיבה.

מידע נוסף

1. סלקל שכיבה זה מיועד לתינוקות מהלידה ועד משקל 9 ק"ג.
2. סלקל השכיבה אינו מהווה תחליף למיטה או לעריסה. אם תינוקכם רוצה לישון, העבירו אותו למיטה או לעריסה מתאימה.
3. אין להשתמש בסלקל השכיבה אם רכיב כלשהו פגום או חסר.
4. אין להשתמש באביזרים או בחלקי חילוף אחרים מאלו שאושרו על ידי היצרן. שימוש באביזרים אחרים עלול להיות מסוכן.

אזהרה:

לעולם אל תשאירו את ילדכם ללא השגחה.
מהרגע שהתינוק מסוגל לשבת ללא תמיכה, אין להמשיך להשתמש בסלקל השכיבה.
סלקל השכיבה אינו מיועד לשינה לפרקי זמן ארוכים.
מסוכן להשתמש





HE

שלנו באיכות הגבוהה של העיצוב, התכנון, הייצור והביצועים של המוצר שלנו. אנו מאשרים שהמוצר הזה יוצר בהתאם לדרישות הבטיחות האירופאיות הנוכחיות ובהתאם לתקני האיכות הרלוונטיים למוצר זה, וכן שבעת הרכישה, אין במוצר זה פגמים בחומרים או בעבודה. על פי התנאים שצוינו כאן, לקוחות במדינות שבהן נמכר מוצר זה על ידי חברת בת של קבוצת Dorel או על ידי ספק או קמעונאי מורשה יכולים לבקש סעד לפי אחריות זאת.

האחריות שלנו ל-24 חודשים מכסה את כל פגמי הייצור בחומרים ובעבודה, בתנאי שהשימוש במוצר נעשה בתנאים רגילים ובהתאם למדריך שלנו למשתמש בפרק הזמן של 24 חודשים מתאריך הרכישה על ידי הלקוח הראשון שהוא גם משתמש הקצה. על מנת לתבוע תיקונים או חלקי חילוף במסגרת האחריות, בגין פגמים בחומרים ובעבודה, עליך להציג הוכחה שהרכישה שלך בוצעה במהלך 24 החודשים הקודמים לבקשת השירות. האחריות שלנו ל-24 חודשים אינה חלה על פגמים שנגרמו עקב: שחיקה ובלאי טבעיים, נזק שנגרם על ידי תאונות, שימוש פוגעני, רשלנות, אש, מגע עם נוזלים או סיבה חיצונית אחרת; כמו כן היא אינה חלה על נזק שהוא תוצאה של אי ציות לדרישות המדריך למשתמש, על נזק שנגרם על ידי שימוש בשילוב עם מוצר אחר, על נזק שנגרם מטיפול על ידי אדם שאינו מורשה מטעמנו או אם המוצר נגנב או תווית כלשהי או מספר היהווי שלו הוסרו או שוננו. דוגמאות לשחיקה רגילה או לקריעה רגילה כוללות



עצות לטיפול במוצר

- על-מנת להשיג שביעות רצון מלאה, יש לטפל בקביעות במוצר. אנו ממליצים לבדוק מדי שבועיים ובמקרה הצורך לנקות את החלקים המכניים.
- אין להפעיל כוח אם קשה לקפל או לפתוח אותו. נקו את המוצר.
- אם הקושי ממשיך, יש לפנות אל הספק.
- טיפול: יש להשתמש בספוג ובסבון עדין. אין להשתמש בתכשיר ניקוי.
- כדי לכבס את הבד, עיינו בתווית ההוראות.

סביבה

מטעמי שמירת הסביבה, כאשר אינכם משתמשים עוד במוצר זה, אנו מבקשים מכם להניח אותו במתקני אשפה המיועדים כך, בהתאם לתקנות המקומיות.

שאלות

אנא פנו למפיץ המקומי או בקרו באתר שלנו. הקפידו למקרה זה שברשותכם הפרטים הבאים:
- מספר סידורי
- גיל (גובה) ומשקל ילדכם.

אחריות

האחריות שלנו ל-24 חודשים משקפת את הביטחון



HE

• אין להניח מוצר זה ליד חלון שבו חוטי תריסים או וילונות עלולים לגרום לחנק לילד.



שרפרף לילד בן

3Y - 14Y/60kg

המוצרים שלנו תוכננו בקפידה ונבדקו על-מנת להבטיח את בטיחותו ואת נוחיותו של תינוקכם. EN 17191: 2021 מקומות ישיבה לילדים.

אזהרה:

• לעולם אל תשאירו את ילדכם ללא השגחה.

• אין להניח מוצר זה ליד חלון, שכן ילד עלול להשתמש בו כמדרגה ולגרום לו ליפול מהחלון.

• יש להיות מודע לסכנה של אש פתוחה ומקורות אחרים של חום גבוה בקרבת המוצר.

מידע נוסף

1. מושב זה מיועד לילדים המסוגלים ללכת ולשבת . בלי סיוע מתחת לגיל 7 .
2. תמיד יש להדק כראוי את כל אביזרי ההרכבה .
3. אל תשתמשו במושב אם חלק כלשהו שבור , קרוע או חסר והשתמשו רק בחלקי חילוף שאושרו על ידי היצרן .
4. מערכת האיפוק תוסר / נסתר / מכוסה לפני העניין כאשר המוצר משמש כמושב .



סירגובמל אסק

14Y+ / 110kg

ידכ הדיפקב וקדבנו ובצוע ונלש סירצומה תוחונו תוחיטב חיטבהל . EN12520:2016.





HE

אחריות זאת ניתנת על ידי Dorel הולנד. חברתנו
 רשומה בהולנד עם מספר 17060920. הכתובת
 העסקית שלנו היא Korendijk 5, 5704 RD
 Helmond, The Netherlands, וכתובתנו למכתבים
 היא P.O. Box 6071, 5700 ET Helmond, The
 Netherlands.

פרטים על שמות ועל כתובות של חברות בת אחרות
 של קבוצת Dorel ניתן למצוא בעמוד האחרון של
 המדריך הזה למשתמש או באתר האינטרנט שלנו,
 הדן במותג הרלוונטי.

(1) מוצרים אשר נרכשו מספקים או מקמעונאים הנהנים להסיר
 או לשנות תוויות או מספרי זיהוי נחשבים למוצרים לא מורשים.
 גם מוצרים שנרכשו מקמעונאים לא מורשים נחשבים למוצרים לא
 מורשים. לא תחול כל אחריות על מוצרים אלו, מכיוון שלא ניתן לאמת
 את אמיתותם.

גלגלים ובד שנשחקו תוך כדי שימוש רגיל וכן דהייה
 טבעית של צבעים ושל חומרים עקב הזדקנות טבעית
 של המוצר.

מה לעשות במקרה של פגמים:

אם יתעוררו בעיות או פגמים, נקודת הקשר
 הראשונה שלך היא הספק או הקמעונאי המוכרים על
 ידנו. האחריות שלנו ל-24 חודשים מחייבת אותם.⁽¹⁾
 עליך להציג הוכחת רכישה שבוצעה על ידך, במהלך
 24 החודשים הקודמים לבקשת השירות. יהיה לך
 קל יותר לקבל את השירות המבוקש, אם בקשתך
 תאושר מראש על ידנו. אם תגוש תביעה תקפה על פי
 כתב אחריות זה, אנו עשויים לבקש ממך להחזיר את
 המוצר לספק מורשה או לקמעונאי מוכר על ידנו, או
 לשלוח את המוצר אלינו, בהתאם להוראות שלנו. אנו
 נשלם את עלות המשלוח אם אתה מחזיר את המוצר
 לספק מורשה או לקמעונאי מוכר על ידנו, או אם
 אתה שולח את המוצר אלינו, בהתאם להוראות שלנו.
 אנו נשלם בגין המשלוח הלוך וחזור, אם כל ההוראות
 ימואלאו. בתמורה לתשלום סביר, נוכל לטפל בנזק ו/
 או בפגמים שאינם מכוסים על ידי האחריות שלנו
 ולא על ידי הזכויות החוקיות של הצרכן, וכן בנזק ו/
 או בפגמים הקשורים למוצרים שאינם מכוסים על
 ידי האחריות שלנו.

זכויות הלקוח:

ללקוח יש זכויות חוקיות בהתאם לחוקי הלקוח
 החלים; זכויות אלו משתנות ממדינה למדינה.
 זכויות הלקוח, על פי החוקים החלים במדינתך, אינם
 מושפעים על ידי כתב אחריות זה.



AR

أمان

السريـر المتكئ
0M - 6M/9kg

منتجتنا صممت بعناية وجرى اختبارها لضمان سلامة وراحة ابنك. EN 2009:12790 – يونيو 2009 – منتجات استخدامات الأطفال والعناية بهم.

تحذير:

• إياك أن تترك طفلك من دون إشراف.

• لا تستخدم السريـر الطويل عندما يصير طفلك قادرا على الجلوس دون مساعدة.

• هذا السريـر الطويل ليس مصمما لفترات النوم الطويلة.
• من الخطير استخدام هذا السريـر الطويل على سطح

مرتفع مثل طاولة.

- استخدم دائما نظام التثبيت.
- لا تستعمل قضيب اللعبة أبدا لحمل السريـر الطويل.

معلومات إضافية

1. هذا السريـر الطويل مصمم للأطفال من عمر 0 شهر ولغاية 9 كغ.
2. هذا السريـر الطويل لا يحل محل السريـر أو المهد. إذا كان طفلك بحاجة إلى النوم، فيجب وضعه في مهد أو سريـر مناسبين.
3. لا تستعمل السريـر الطويل إذا كانت أي من مكوناته مكسورة أو مفقودة.
4. لا تستعمل الملحقات أو قطع الغيار عدى عن تلك المصادق عليها من قبل المصنع. استخدام ملحقات أخرى قد يكون خطيرا.

مقعد مرتفع

6M - 36M/15kg



منتجتنا صممت بعناية وجرى اختبارها لضمان سلامة وراحة ابنك. EN14988:2017+A1:2020. مقاعد الأطفال المرتفعة.

2. يجب دائماً إحكام ربط جميع تركيبات التجميع بشكل صحيح
3. لا تستخدم المقعد إذا كان أي جزء منه مكسوراً أو ممزقاً أو مفقوداً واستخدم فقط قطع الغيار المعتمدة من قبل الشركة المصنعة
4. يجب إزالة / إخفاء / تغطية نظام التقييد (حسب الاقتضاء) عند استخدام المنتج كمقاعد.



راباكل ل يس رك
14Y+ / 110kg

تم تصميم منتجاتنا واختيارها بعناية لضمان السلامة والراحة. EN12520: 2016



نصيحة للعناية بالمنتج

- تجنب صيانة المنتج بانتظام لتحقيق الرضا الكامل.
- ننصحك بفحص وتنظيف الأجزاء الميكانيكية إن لزم الأمر كل أسبوعين.
- لا تستخدم الشدة إذا صار صعب الفك أو الطي.
- نظف المنتج. إذا استمرت الصعوبات، اتصل بالمزود الخاص بك.
- العناية: استخدم اسفنجة وصابونة خفيفة. لا تستخدم المطهر.
- لغسل الكساء، يرجى الرجوع لملصق التعليمات.

- لا تضع هذا المنتج بالقرب من نافذة حيث أنه قد يستخدم كدرج للطفل وقد يتسبب في سقوط الطفل من النافذة.
- كن على دراية بأن هناك خطر نشوب حرائق مكشوفة ومصادر أخرى للحرارة الشديدة بالقرب من المنتج.
- لا تضع هذا المنتج بالقرب من نافذة حيث قد تؤدي الحبال من الستائر او حاجب الضوء إلى خنق طفل.

معلومات إضافية

1. هذا المقعد مخصص للأطفال القادرين على المشي والجلوس دون مساعدة تحت سن 7 سنوات.



AR

قدميه باتجاه طاولة أو أي أثاث
آخر.

معلومات إضافية

1. لا تستخدم المنتج حتى يصير الطفل قادرا على الجلوس دون مساعدة.
2. لا تستخدم المنتج إذا كان أي من أجزائه مكسورا، ممزقا، أو مفقودا.
3. يرجى إبقاء الأطفال بعيدا عند طَيّ المنتج أو فكّه لتفادي الإصابة.
4. هذا المقعد المرتفع مصمم للأطفال القادرين على الجلوس دون مساعدة إلى غاية 3 سنوات أو وزن أقصاه 15 كلف.



كرسي أطفال بلا سند

منتجاتنا صممت بعناية وجرى اختبارها لضمان سلامة وراحة ابنك. جلوس للأطفال
EN 17191: 2021.

تحذير:

- إيّاك أن تترك طفلك من دون إشراف.

تحذير:

- إيّاك أن تترك طفلك من دون إشراف.
- استخدم دائما نظام التثبيت.
- خطر السقوط: امنع طفلك من تسلق المنتج.
- لا تستخدم المنتج إلا إذا كانت جميع مكوناته مركبة ومعدلة بشكل صحيح.
- انتبه لخطر النيران المكشوفة ومصادر الحرارة المرتفعة الأخرى على مقربة من المنتج.
- انتبه لخطر الميلان عندما يكون طفلك قادرا على دفع

تجزئة غير مخول لهم تعتبر غير مصرح بها أيضًا. ولا تسري أي ضمانات على هذه المنتجات بما أن موثوقية هذه المنتجات لا يمكن تأكيدها.

وفقا لتعليماتنا. سندفع ثمن الإرسال وأجرة شحن الإرجاع إذا ما تم اتباع جميع التعليمات. الأضرار و/ أو العيوب التي لا تغطيها ضمانتنا أو الحقوق القانونية للمستهلك و/ أو الأضرار و/ أو العيوب المتعلقة بالمنتج والتي لا تغطيها ضمانتنا يمكن التعامل معها مقابل رسوم معقولة.

حقوق المستهلك:

يتمتع المستهلك بحقوق قانونية وفقا للتشريعات الخاصة بالمستهلك، والتي يمكن أن تتغير من بلد لآخر. حقوق المستهلك وفق التشريعات الوطنية المعمول بها لا تتأثر بهذه الضمانة. إن هذه الضمانة مقدمة من شركة Dorel بهولندا. نحن مسجلون في هولندا تحت رقم الشركة الآتي: 17060920.

•Korendijk 5, 5704 RD Helmond

هولندا، وعنواننا التجاري هو، Korendijk 5

5704 RD Helmond، هولندا، و عنواننا

البريدي هو: P.O. Box 6071, 5700 ET

Helmond، هولندا.

أسماء وتفاصيل عناوين الفروع الأخرى لمجموعة

Dorel يمكن إيجادها في الصفحة الأخيرة من هذا

الدليل وعلى

موقعنا بالنسبة للعلامة التجارية المعنية.

(1) المنتجات التي تم شراؤها من بائعي تجزئة أو موزعين

يزيلون أو يغيرون الملصقات أو الأرقام التعريفية تعتبر

غير مصرح بها. والمنتجات التي تم شراؤها من عند بائعي



AR

البيئة

المحافظة على البيئة، عند التوقف عن استعمال هذا المنتج، نطلب منك التخلص من المنتج لدى المنشآت الخاصة بالقممات المماثلة بالتوافق مع القوانين المحلية.

أسئلة

يرجى الاتصال بالموزع المحلي أو زيارة موقعنا. عند الاتصال يُرجى أن تكون المعلومات التالية بجورتك:
- الرقم المسلسل
- عمر (طول) ووزن طفلك.

ضمان

يعكس ضماننا لمدة 24 شهراً ثقتنا في الجودة التامة لتصميمنا وهندستنا وإنتاجنا وأداء منتجنا. نحن نضمن لكم أن هذا المنتج تم تصنيعه وفقاً لمتطلبات السلامة الأوروبية السارية ومعايير الجودة التي تنطبق على هذا المنتج، وأن هذا المنتج خال من أي عيوب صناعة وأي عيوب تتعلق بإتقان التصنيع في وقت الشراء. وفقاً للشرط المذكورة في هذه الوثيقة، يجوز للمستهلكين الاحتجاج بهذه الضمانة في البلدان التي بيع فيها هذا المنتج من قبل فرع لمجموعة Dorel أو من قبل وكيل أو تاجر بالتجزئة معتمدين.

يشمل ضماننا لمدة 24 شهراً أي عيوب صناعة وأي عيوب تتعلق بإتقان التصنيع عند الاستخدام في الظروف الطبيعية وفقاً لدليل المستخدم لمدة 24 شهراً بدءاً من تاريخ الشراء الأصلي بالتجزئة من

قبل أول عميل مستخدم نهائي. لطلب أي تصليحات أو قطع غيار خلال فترة الضمان يجب عليك أن تقوم بتقديم إثبات الشراء في غضون 24 شهراً السابقة لطلب الخدمة.

لا يشمل ضماننا لمدة 24 شهراً الضرر الناتج عن البلى والتلف بالاستهلاك العادي إلى جانب الأضرار التي تسببها الحوادث والاستعمال التعسفي والإهمال والنار و ملامسة السوائل أو أي مسبب خارجي، الضرر الذي يكون نتيجة عدم اتباع دليل المستخدم، الضرر الناتج عن الاستعمال مع منتج آخر، الضرر الناتج عن خدمة قدمها شخص غير مخول من قبلنا، أو إذا كان المنتج مسروقاً أو عند إزالة أو تغيير أي ملصق أو رقم تعريفي من المنتج. يندرج ضمن الأمثلة عن التلف والبلى الاعتياديين العجلات والقماش التالف بسبب الاستعمال المنتظم والانحلال الطبيعي للألوان والمواد نظراً للتقدم الطبيعي في عمر المنتج.

ما الذي يجب فعله في حالة وجود عيوب:
في حالة وجود مشاكل أو عيوب، أول جهة اتصال هي المتعامل أو البائع بالتجزئة المخول والمعترف به من قبلنا. ضمانتنا التي تدوم 24 شهراً معترف بها لديهم⁽¹⁾. عليكم تقديم دليل شرائك الذي تم إجراؤه في الأشهر الأربع والعشرين السابقة لطلب الخدمة. من أجل أن تسعوا إلى المصادقة على طلب خدمتكم مبكراً من قبلنا. إذا ما قدمتم دعوى شرعية تحت هذه الضمانة، فمن الممكن أن نطلب منكم إرجاع المنتج إلى المتعامل أو البائع بالتجزئة المخول والمعترف به لدينا أو أن ترسلوا المنتج إلينا



Nesta

0 M - 6 M - 3 Y / Max 110 kg



DOREL FRANCE S.A.S.
Z.I. - 9 bd du Poitou
BP 905
49309 Cholet Cedex
FRANCE

DOREL BENELUX
P.O. Box 6071
5700 ET Helmond
NEDERLAND

DOREL UK Ltd.
2nd Floor, Building 4
Imperial Place
Maxwell Road
Borehamwood, Herts
WD6 1JN
UNITED KINGDOM

DOREL GERMANY GMBH
Augustinusstraße 9 c
D-50226
Frechen-Königsdorf
DEUTSCHLAND

DOREL ITALIA S.P.A.
Via Verdi, 14
24060 Telgate
(BG)
ITALIA

DOREL HISPANIA S.A.U.
Edificio Barcelona Moda Centre
Ronda Maiols, 1
Planta 3ª, local 340
08192 Sant Quirze del Vallès
ESPAÑA

DOREL PORTUGAL
Rua Pedro Dias, 25
4480-614 Rio Mau
(VDC)
PORTUGAL

DOREL JUVENILE
SWITZERLAND S.A.
Chemin de la Colice 4
1023 Crissier
SWITZERLAND / SUISSE

DOREL POLSKA Sp. z o.o.
ul. Inwestycyjna 14
41-208 Sosnowiec
POLAND

014271901B



FR
**Pensez à
donner ou recycler.**



Association

ou



Magasin

ou



Déchèterie



PAP22 **CARTA**
Per conferma, consulta
il regolamento comunale

<https://quefairedemesdechets.fr>

maxi-cosi.com