

Safety **1ST**

U-Pressure Fit

Easy Close Metal



min 73cm - max 80cm

(+extension(s): max 136cm)



5



12



14



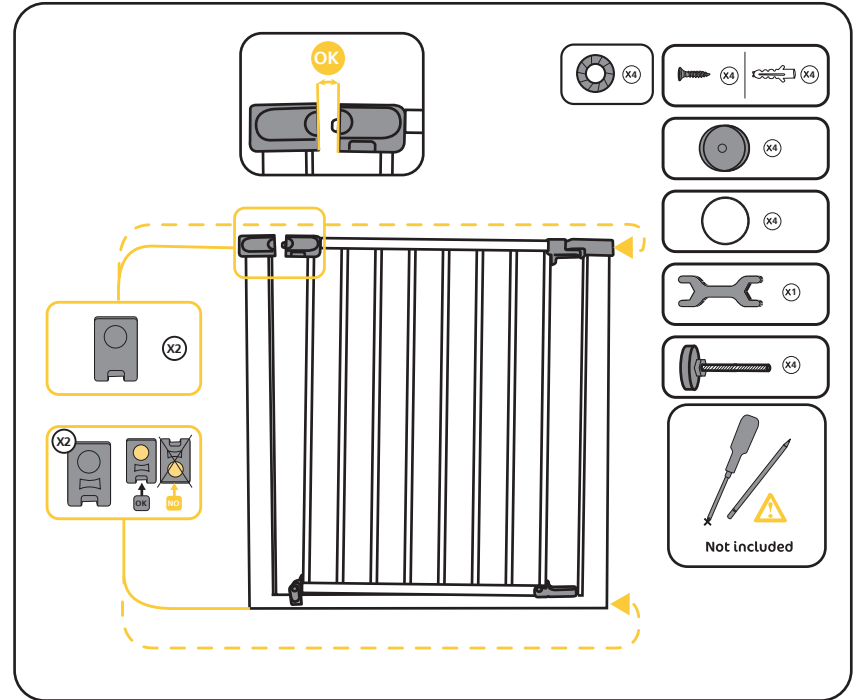
EN 20

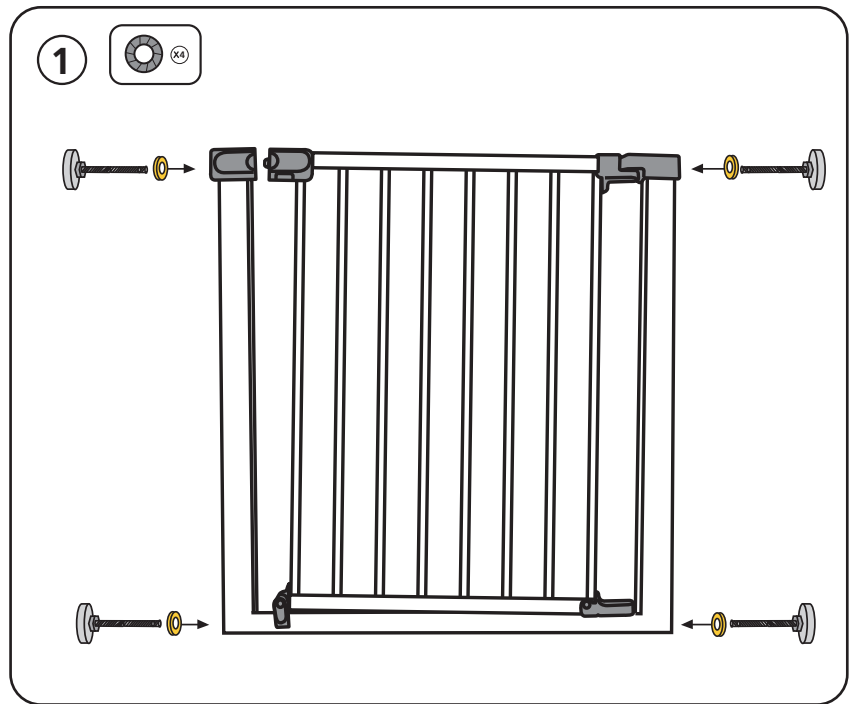


IMPORTANT! READ AND FOLLOW THESE INSTRUCTIONS CAREFULLY AND KEEP FOR FUTURE REFERENCE.

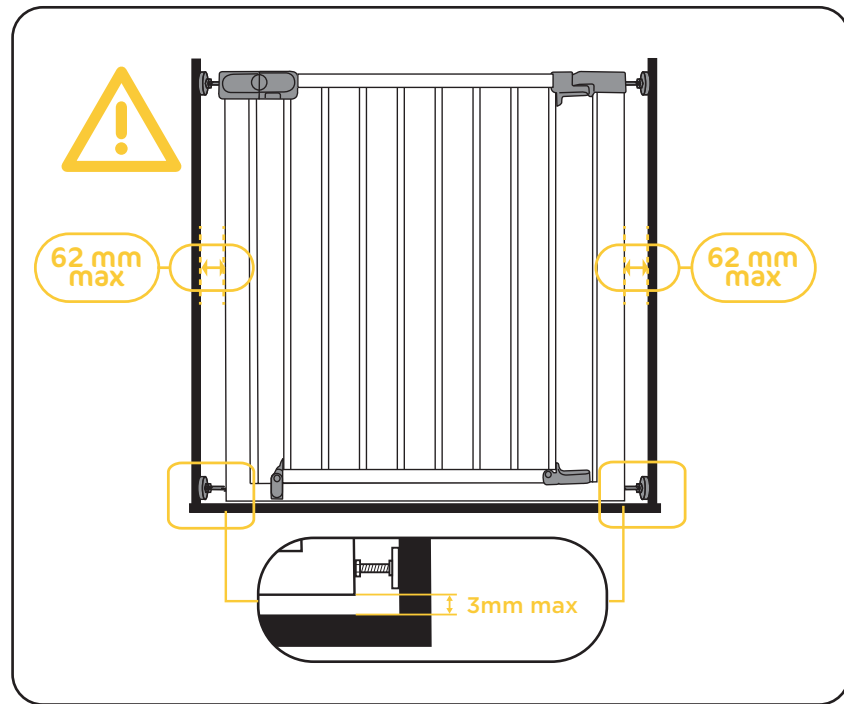
Congratulations on your purchase.

To ensure maximum protection and optimum comfort for your child, it is essential that you read through the entire manual carefully and follow all instructions.





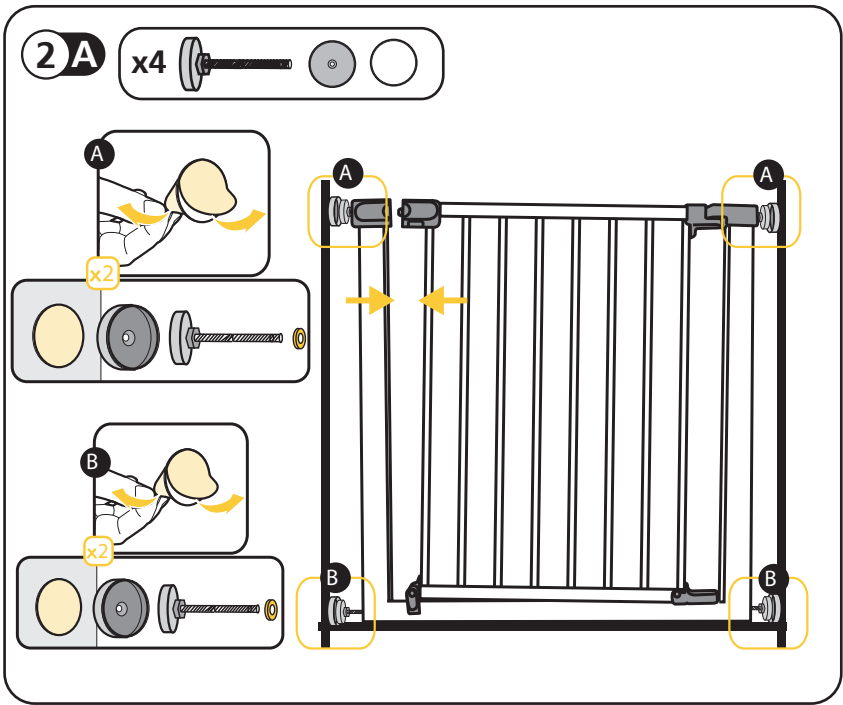
6



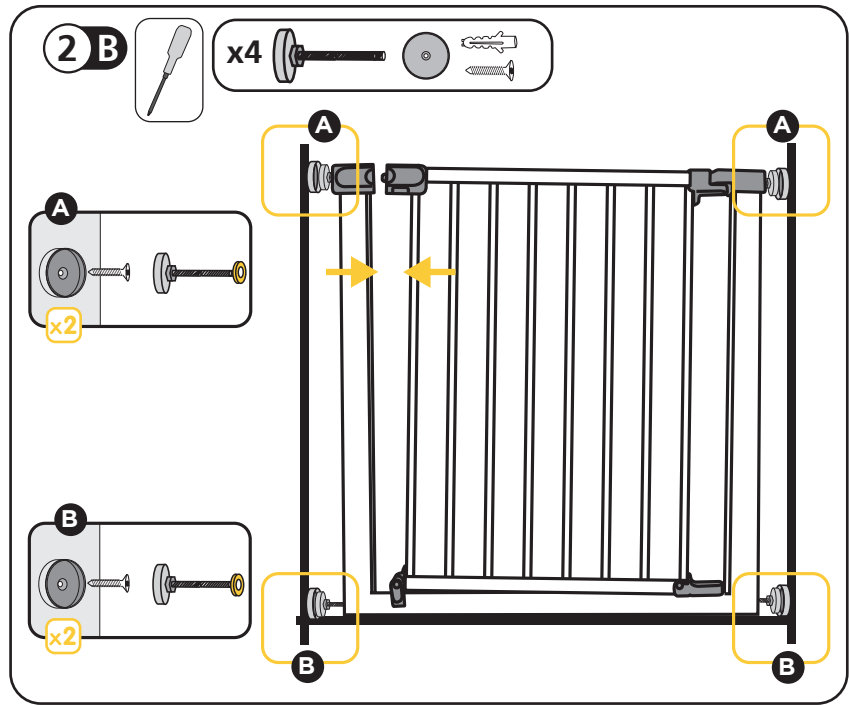
7

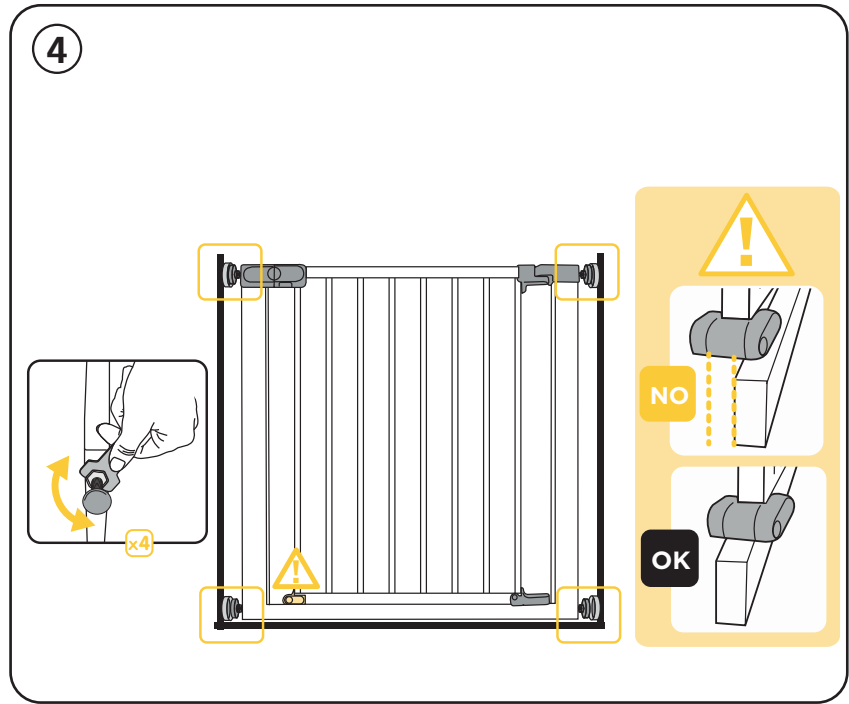
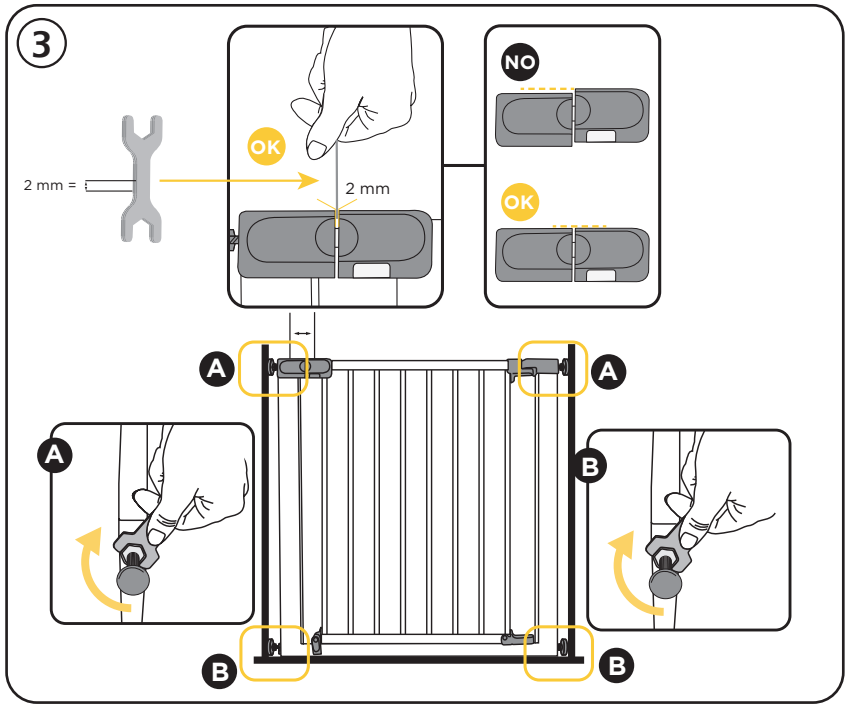


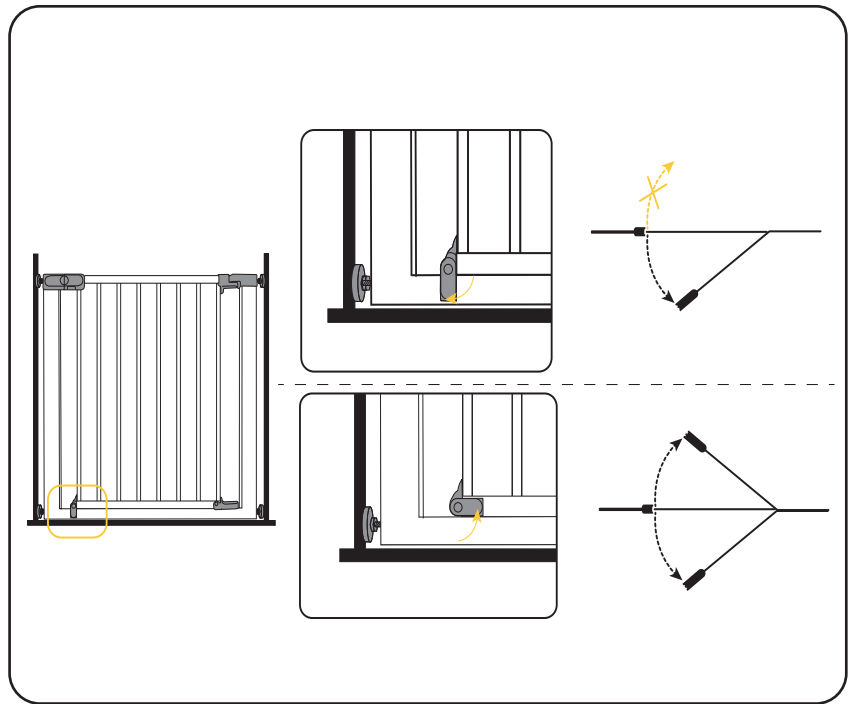
Option A



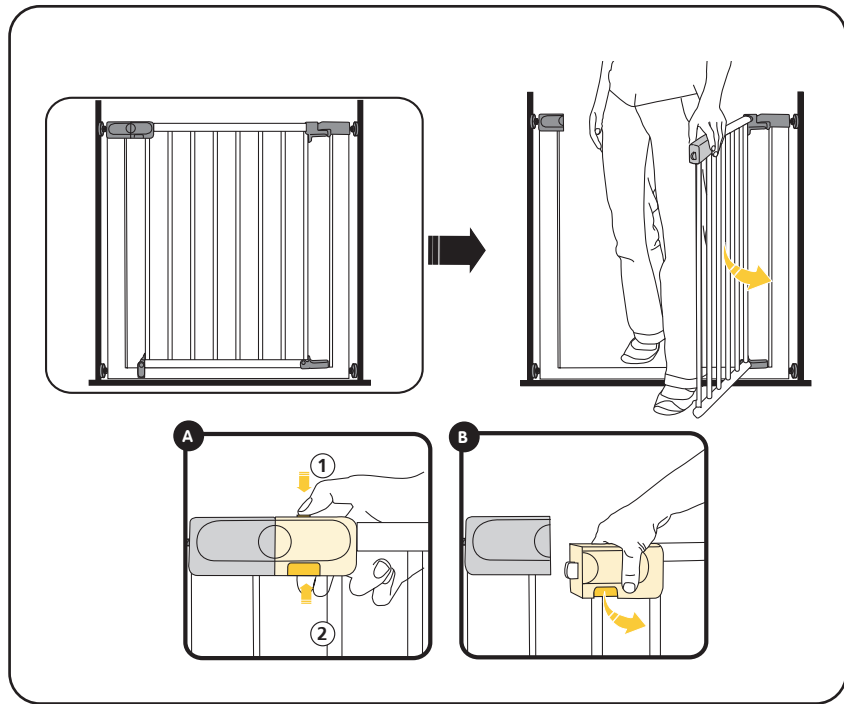
Option B







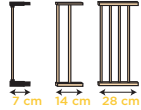
12



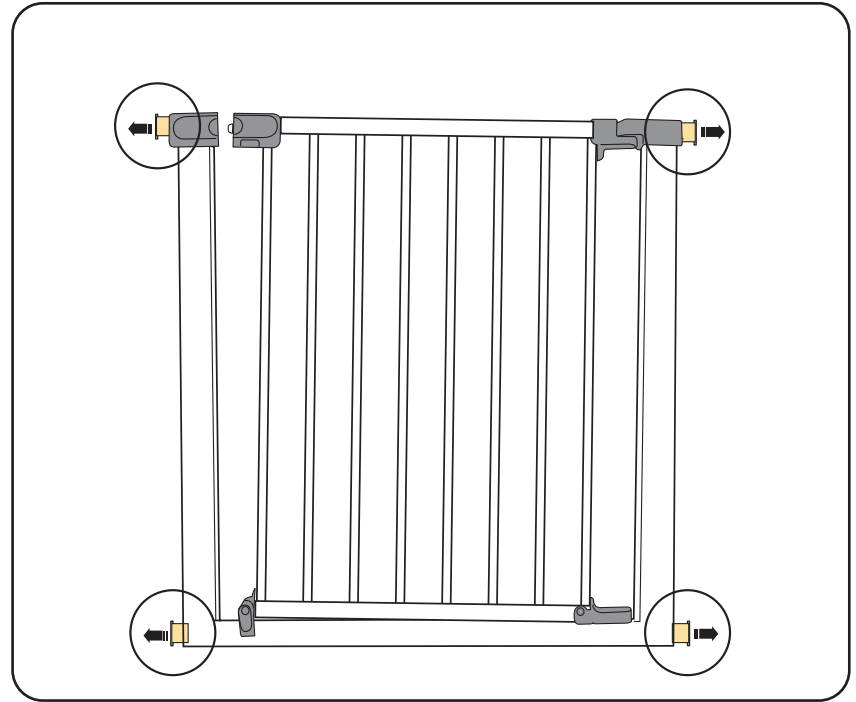
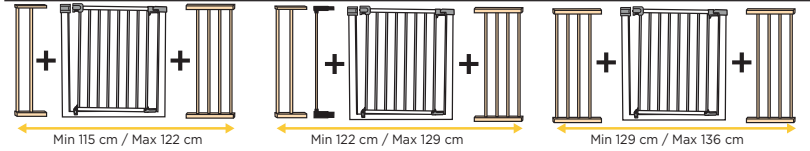
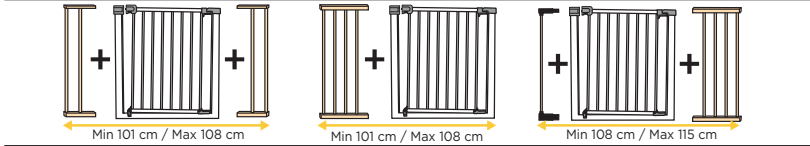
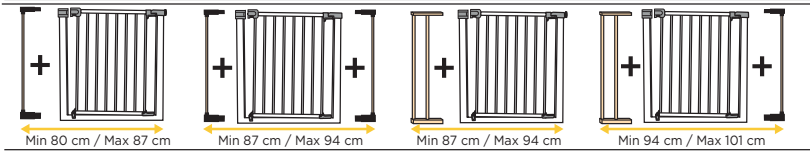
13



OPTIONAL EXTRA

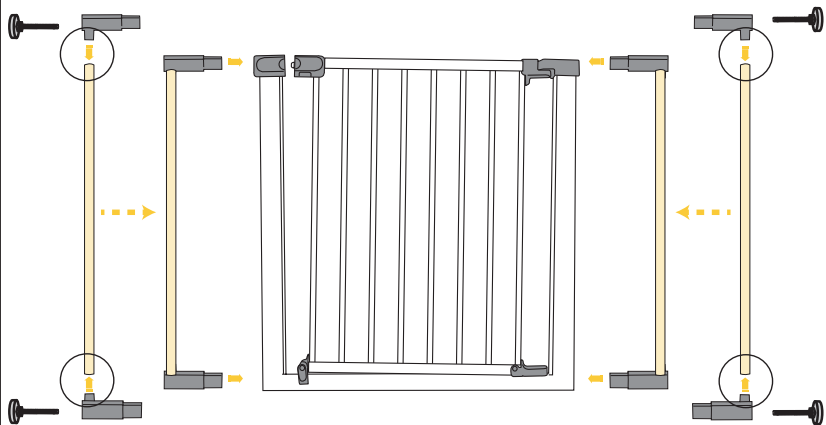


Min.	Max.	Extensions	Min.	Max.	Extensions
73 cm	80 cm	/	108 cm	115 cm	1x7 cm + 1x28cm
80 cm	87 cm	7 cm	115 cm	122 cm	1x14cm + 1x28cm
87 cm	94 cm	2x7cm or 1x14cm	122 cm	129 cm	1x14cm+1x7cm+1x28cm
94 cm	101 cm	1x7cm + 1x14cm	129 cm	136 cm	2x28cm
101 cm	108 cm	2x14cm or 1x28cm			





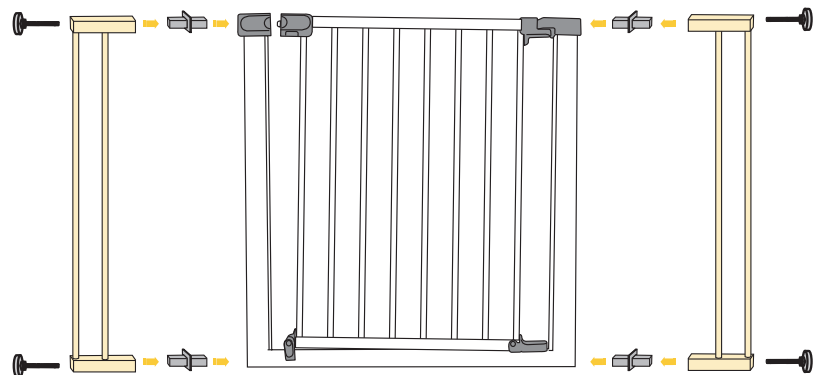
7 cm



16



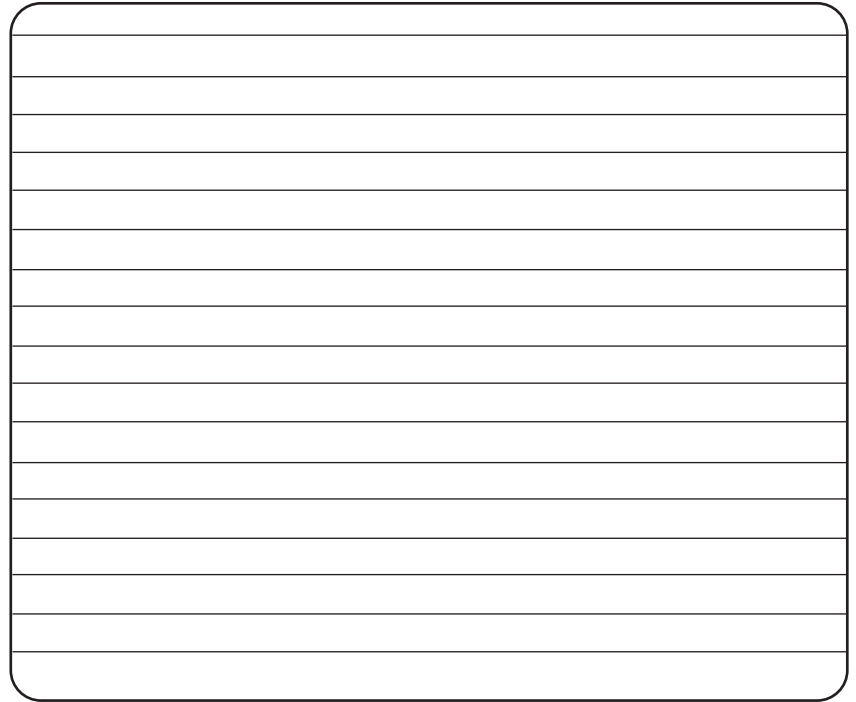
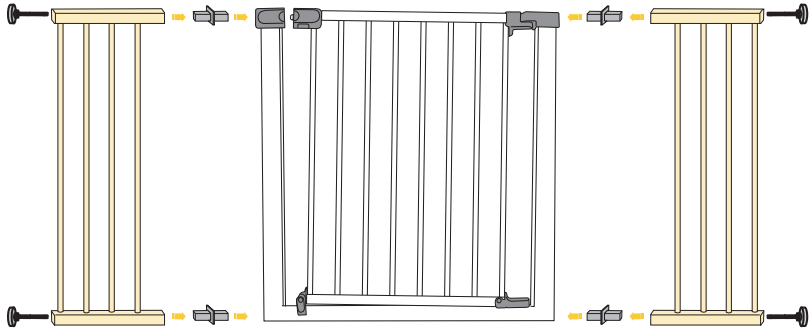
14 cm



17



28 cm





General Easy Close Metal instructions.

- Safety barrier conforms to EN 1930:2011.
- The barrier is suitable for openings from a minimum of 73 cm, up to a maximum of 136 cm.
- Do not use extensions in a configuration other than those recommended by the manufacturer.
- Safety barrier is suitable for use with children up to 24 months age
- This safety barrier is for domestic use only
- Safety barrier should be checked regularly to ensure that it is secure and functioning in accordance with these instructions.
- Safety barrier with manual closing system.

CAUTION : Used correctly, this barrier is designed to prevent accidents. Children should never be left unattended. Incorrect positioning of the safety barrier in relation to the stairway may present a danger for your child.

If the safety barrier is used at the top of the stairs, it should not be positioned below the top level.

If the safety barrier is used at the bottom of the stairs, it should be positioned at the front of the lowest tread possible.

Check that the safety barrier is correctly closed.

WARNING: Incorrect installation can be dangerous

WARNING: Do not use the safety barrier if any components are damaged or missing.

WARNING: The safety barrier must not be fitted across windows. Ensure that the wall, door frame or newel post to which you fix the barrier is solid, stable, smooth and has non-greasy.

WARNING: Stop using the barrier if the child is capable of climbing it. Danger to older children climbing over the safety barrier. Any additional or replacement parts should only be obtained from the manufacturer or distributor. Safety barrier should be checked regularly to ensure that it is properly fixed ,secure and functioning.

WARNING: Never use without wall cups.

WARNING! Mind the bottom bar when using the gate.

Advice: Always keep an eye on the child, since children quickly become more independent.

Maintenance: Wash with a sponge and mild soap. Remember that all mechanical products need regular maintenance and careful use if they are to provide maximum satisfaction and last a long time.

Warranty

Our 24 months warranty reflects our confidence in the high quality of our design, engineering, production and product performance. We confirm that this product was manufactured in accordance with the current European safety requirements and quality standards which are applicable to this product, and that this product is free from defects on materials and workmanship at the time of purchase. Under the conditions mentioned herein, this warranty may be invoked by consumers in the countries where this product has been sold by a subsidiary of the Dorel Group or by an authorized dealer or retailer.

Our 24 months warranty covers all manufacturing defects in materials and workmanship when used in normal conditions and in accordance with our user manual for a period of 24 months from the date of the original retail purchase by the first end-user customer. To request repairs or spare parts under our warranty for defects in materials and workmanship you must present your proof of purchase, made within the 24 months preceding the service request.

Our 24 months warranty does not apply to defects caused by normal wear and tear, damage caused by accidents, abusive use, negligence, fire, liquid contact or other external cause, damage which is the consequence of failing to comply with the user manual, damage caused by use with another product, damage caused by service by anyone who is not authorized by us, or if the product is stolen or if any label or identification number has been removed from the product or has been changed. Examples of normal wear and tear include wheels and fabric worn down by regular use and the natural breakdown of colors and materials due to normal aging of the product.

What to do in case of defects: Should problems or defects arise, your first point of contact is the authorized dealer or retailer recognized by us. Our 24

months warranty is recognized by them (1). You must present your proof of purchase, made within the 24 months preceding the service request. It is easiest if you get your service request pre-approved by us. If you submit a valid claim under this warranty, we may request that you return your product to the authorized dealer or retailer recognized by us or that you ship the product to us in accordance with our instructions. We will pay for shipment and for return freight if all instructions are followed. Damage and/or defects not neither covered by our warranty nor by the legal rights of the consumer and/or damage and/or defects on with respect to products that are not covered by our warranty can be handled at a reasonable fee.

Rights of the consumer: A consumer has legal rights pursuant to applicable consumer legislation, which may vary from country to country. The rights of the consumer under applicable national legislation are not affected by this warranty.

This warranty is provided by Dorel Netherlands. We are registered in The Netherlands under company number 17060920. Our trading address is Korendijk 5, 5704 RD Helmond, The Netherlands, and our postal address is P.O. Box 6071, 5700 ET Helmond, The Netherlands.

The names and address details of other subsidiaries of the Dorel group can be found on the last page of this manual and on our website for the brand concerned.

(1) Products purchased from retailers or dealers that remove or change labels or identification numbers are considered unauthorized. Products purchased from unauthorized retailers are also considered unauthorized. No warranty applies to these products since the authenticity of these products cannot be ascertained.





DOREL U.K. LTD

Imperial Place, Maxwell Road,
Borehamwood, Hertfordshire,
WD6 1JN
UNITED KINGDOM

014 2420 02D
QUST N° 3001D